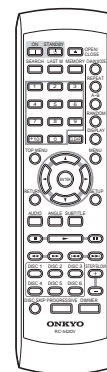
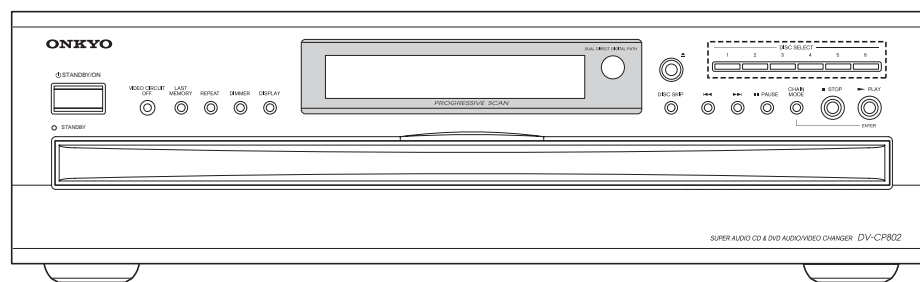


ONKYO SERVICE MANUAL

DVD CHANGER MODEL DV-CP802



RC-542DV

Black and Silver models

CDD1N	120V AC,60Hz
-------	--------------

SAFETY-RELATED COMPONENT WARNING!!

COMPONENTS IDENTIFIED BY MARK \triangle ON THE SCHEMATIC DIAGRAM AND IN THE PARTS LIST ARE CRITICAL FOR RISK OF FIRE AND ELECTRIC SHOCK. REPLACE THESE COMPONENTS WITH ONKYO PARTS WHOSE PART NUMBERS APPEAR AS SHOWN IN THIS MANUAL.

MAKE LEAKAGE-CURRENT OR RESISTANCE MEASUREMENTS TO DETERMINE THAT EXPOSED PARTS ARE ACCEPTABLY INSULATED FROM THE SUPPLY CIRCUIT BEFORE RETURNING THE APPLIANCE TO THE CUSTOMER.

SPECIFICATION

DV-CP802

Signal System		NTSC
Composite Video Output/Impedance		1.0 V (p-p)/75Ω negative sync, RCA/phono
S-Video Output/Impedance		Y: 0.7 V (p-p)/75Ω negative sync, 4-pin mini DIN C: 0.286 V (p-p)/75Ω
Component Video Output/Impedance		Y: 1.0 V(p-p)/75Ω PB/PR: 0.7 V (p-p)/75Ω RCA/phono
Frequency Response	DVD-Audio	4 Hz-50 kHz (192 kHz)
	DVD Linear Sound	4 Hz-44 kHz (96 kHz)
		4 Hz-22 kHz (48 kHz)
	Audio CD	4 Hz-20 kHz (44.1 kHz)
S/N ratio		110 dB
Audio Dynamic Range		98 dB
THD (Total Harmonic Distortion)		0.005 % (1 kHz)
Wow and Flutter		Below threshold of measurability
Audio Output (Digital/Optical)		-22.5 dBm
Audio Output/Impedance (Digital/Coaxial)		0.5 V p-p/75Ω
Audio Output/Impedance (Analog)		2.0 V (rms)/600Ω
Power Supply		AC 120 V, 60 Hz
Power Consumption		21 W
Standby Power Consumption		0.6 W
Dimensions (W x H x D)		435 x 131 x 432 mm 17-1/8 x 5-3/16 x 17 inches
Weight		7.3 kg 16.1 lbs.
Operation Condition Temperature		5-35 °C (4-95 °F)
Disc Compatibility		DVD-VIDEO, DVD-AUDIO, CD, CD-R, CD-RW, SACD, MP3, DVD-R, DVD-RW, JPEG, VCD Disc that have not been property finalized may only be partially playable or not playable at all.

Specifications and features subject to change without notice.

SERVICE PROCEDURES-1

PROTECTION OF EYES FROM LASER BEAM DURING SERVICING

This set employs a laser. Therefore, be sure to follow carefully the instructions below when servicing.

WARNING!!

SERVICE WARNING : DO NOT APPROACH THE LASER EXIT WITH THE EYE TOO CLOSELY. IN CASE IT IS NECESSARY TO CONFIRM LASER BEAM EMISSION, BE SURE TO OBSERVE FROM A DISTANCE OF MORE THAN 30cm FROM THE SURFACE OF THE OBJECTIVE LENS ON THE OPTICAL PICKUP BLOCK.

Laser Diode Properties

Wavelength: 650/780nm (DVD/CD)

WARNING

WARNING:

TO REDUCE THE RISK OF FIRE OR ELECTRIC SHOCK, DO NOT EXPOSE THIS APPLIANCE TO RAIN OR MOISTURE.

CAUTION:

TO REDUCE THE RISK OF ELECTRIC SHOCK, DO NOT REMOVE COVER (OR BACK). NO USER-SERVICEABLE PARTS INSIDE. REFER SERVICING TO QUALIFIED SERVICE PERSONNEL.



WARNING
RISK OF ELECTRIC SHOCK
DO NOT OPEN

AVIS
RISQUE DE CHOC ELECTRIQUE
NE PAS OUVRIR



The lightning flash with arrowhead symbol, within an equilateral triangle, is intended to alert the user to the presence of uninsulated "dangerous voltage" within the product's enclosure that may be of sufficient magnitude to constitute a risk of electric shock to persons.



The exclamation point within an equilateral triangle is intended to alert the user to the presence of important operating and maintenance (servicing) instructions in the literature accompanying the appliance.

LASER WARNING

This unit contains a semiconductor laser system and is classified as a "CLASS 1 LASER PRODUCT". So, to use this model properly, read this Instruction Manual carefully. In case of any trouble, please contact the store where you purchased the unit. To prevent being exposed to the laser beam, do not try to open the enclosure.

CAUTION:

VISIBLE LASER RADIATION WHEN OPEN AND INTERLOCK FAILED OR DEFEATED. DO NOT STARE INTO BEAM.

CAUTION:

THIS PRODUCT UTILIZES A LASER. USE OF CONTROLS OR ADJUSTMENTS OR PERFORMANCE OF PROCEDURES OTHER THAN THOSE SPECIFIED HEREIN MAY RESULT IN HAZARDOUS RADIATION EXPOSURE.

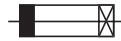
The label on the right is applied on the rear panel except for USA and Canadian models.

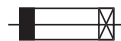




- 1.This unit is a CLASS 1 LASER PRODUCT and employs a laser inside the cabinet.
- 2.To prevent the laser from being exposed, do not remove the cover. Refer servicing to qualified personnel.

SERVICE PROCEDURE

1. Replacing the fuses

 This symbol located near the fuse indicates that the fuse used is show operating type, For continued protection against fire hazard, replace with same type fuse , For fuse rating, refer to the marking adjust to the symbol.

 Ce symbole indique que le fusible utilise est e lent. Pour une protection permanente, n'utiliser que des fusibles de meme type. Ce dernier est indique la qu le present symbol est appose.

REF. NO.	PART NO.	DESCRIPTION
F101	5120-0130-0 or 	1.6A-UL/T-237 <CDD1N>
	5120-1000-0 	1.6A-T/UL-ST2 <CDD1N> North American area

LASER BEAM CAUTION LABEL



SERVICE PROCEDURES-2

2. Safety-check out

(Only U.S.A. model)

After correcting the original service problem perform the following safety check before releasing the set to the customer

Connect the insulating-resistance tester between the plug of power supply cord and terminal GND on the back panel.

Specifications: More than 10M ohm at 500V

INITIALIZING

Factory-shipped condition

Push button "ON" (Mechanical SW)

Press the [STOP] and [STANDBY] same time with NO DISC condition.

Push button "STANDBY".

After display "COMPLETE".

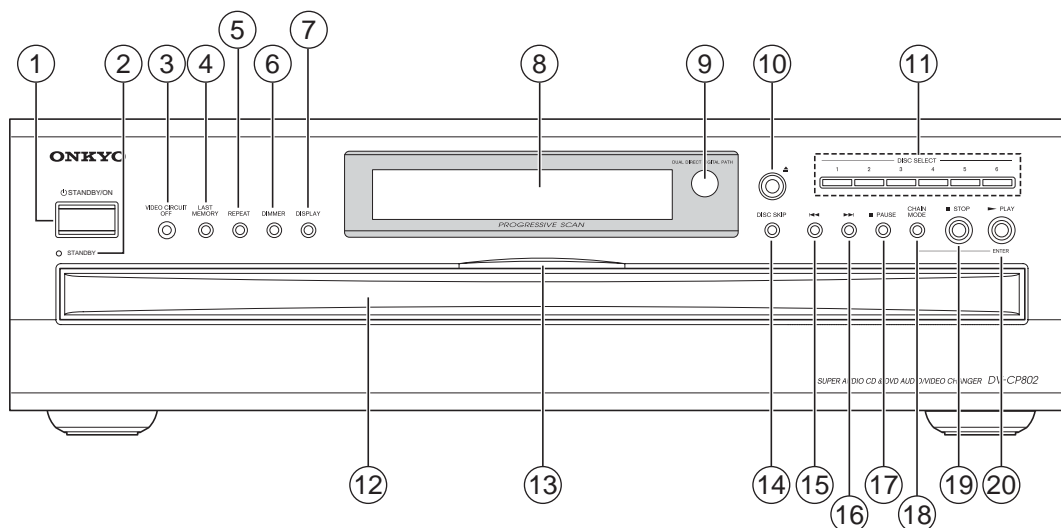
REMOVE THE SOLDER OF LASER DIODE SHORT

When replace the mechanism or DVD main PC board.

Shotting the solder of Shot-circuit land. (2 positions)

PANEL VIEWS-1

FRONT PANEL



① STANDBY/ON button

This button is used to set the DV-CP802 to On or Standby.
Don't turn on the power until you've completed and double checked all of your connections.

② STANDBY indicator

This indicator lights up when the DV-CP802 is in Standby mode.

③ VIDEO CIRCUIT OFF button & indicator

This button is used to turn off all of the internal video circuitry, eliminating the possibility of interference when playing audio-only discs. The button lights up when the video circuitry is turned off.

④ LAST MEMORY button

This button is used with the Last Memory function.

⑤ REPEAT button

This button is used with the Repeat function.

⑥ DIMMER button

This button is used to adjust the display brightness.

⑦ DISPLAY button

This button is used to display information about the current disc, title, chapter, or track, including the elapsed time, remaining time, total time, and so on.

⑧ Display

⑨ Remote control sensor

This sensor receives control signals from the remote controller.

⑩ Open/Close [▲] button

This button is used to open and close the disc tray.

⑪ DISC SELECT 1-6 buttons

These buttons are used to select discs. Playback starts automatically when discs are selected with these buttons

⑫ Disc tray

The disc tray has six bays for loading up to six discs.

⑬ Disc tray light

This light illuminates the disc tray. It comes on when the DV-CP802 is turned on, and is brighter while the disc tray is open.

⑭ DISC SKIP button

This button is used to select the disc bays (i.e., rotate the disc tray) when loading or removing discs, and to select discs for playback.

⑮ Previous [◀◀] button

This button is used to select the previous chapter or track. During playback it selects the beginning of the current chapter or track.

⑯ Next [▶▶] button

This button is used to select the next chapter or track.

⑰ PAUSE [■] button

This button is used to pause playback.

⑱ CHAIN MODE button

This button is used with the Chain mode function.

⑲ STOP [■] button

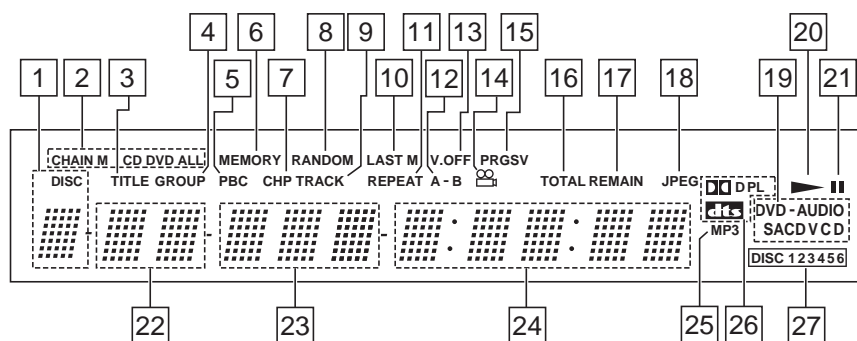
This button is used to stop playback.

⑳ PLAY/ENTER [▶] button

This button is used to start playback and to cancel fast forward and fast reverse. It's also used to start Chain mode playback.

PANEL VIEWS-2

DISPLAYS-1



For detailed information, refer to the pages in parenthesis.

1 DISC indicator

The number of the currently selected disc appears here.

2 CHAIN M, CD, DVD & ALL indicators

Short for CHAIN MODE, the CHAIN M indicator appears when the Chain mode function is on. The CD, DVD, and ALL indicators show the type of Chain mode selected.

3 TITLE indicator

This indicator appears while title numbers are being displayed. While stopped, the total number of titles on the current DVD-Video disc is displayed here. During playback, the number of the current title is displayed.

4 GROUP indicator

This indicator appears while group numbers are being displayed. While stopped, the total number of groups on the current DVD-Audio disc are displayed. During playback, the number of the current group is displayed.

5 PBC indicator

This indicator appears if the VCD currently playing supports PBC (Playback Control).

6 MEMORY indicator

This indicator appears when using the Memory function.

7 CHP indicator

This indicator appears while the number of the current chapter is being displayed.

8 RANDOM indicator

This indicator appears when using the Random function.

9 TRACK indicator

This indicator appears while track numbers are being displayed. While stopped, the total number of tracks on the current VCD, CD, or MP3 disc are displayed. During playback, the number of the current track is displayed.

10 LAST M indicator

This indicator appears when using the Last Memory function.

11 REPEAT indicator

This indicator appears when using the Repeat function.

12 A-B indicators

These indicators appear when using the A-B Repeat function.

13 V. OFF indicator

This indicator appears while the video circuits are turned off.

14 Camera angle indicator

This indicator appears if the DVD-Video disc being played features multiple camera angles.

15 PRGSV indicator

This indicator appears when progressive scanning is on.

16 TOTAL indicator

This indicator appears while the total time is being displayed.

17 REMAIN indicator

This indicator appears while the remaining time is being displayed.

18 JPEG indicator

This indicator appears while a JPEG picture is being displayed.

19 DVD-AUDIO & SACDVCD indicators

These indicators show the type of disc currently selected.

DVD: DVD-Video

DVD-AUDIO: DVD-Audio

SACD: Super Audio CD

VCD: Video CD

CD: Audio CD, MP3, JPEG

PANEL VIEWS-3

DISPLAYS-2

20 Play ► indicator

This indicator is shown during playback.

21 Pause ■■ indicator

This indicator appears when playback is paused.

22 Title & group number

Title and group numbers appear here.

23 Chapter & track number

Chapter and track numbers appear here.

24 Time display

Time information, such as total time, remaining time, and so on, is displayed here in hours, minutes, and seconds. Other messages are also displayed.

25 MP3 indicator

This indicator appears while an MP3 track is being played.

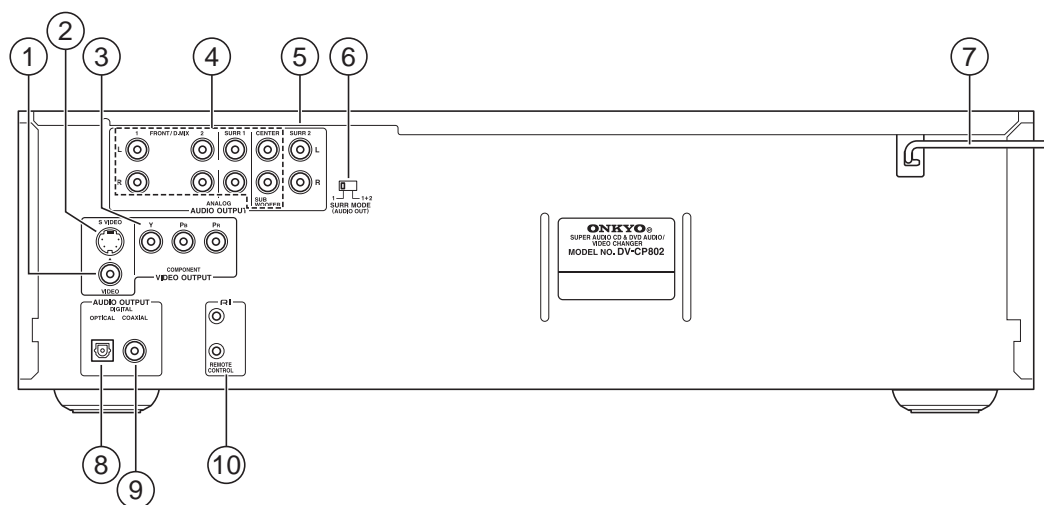
26 Dolby Digital (Dolby Digital), Dolby Pro Logic (Dolby Pro Logic) & DTS (DTS) indicators

The Dolby Digital indicator (Dolby Digital) appears when a Dolby Digital soundtrack is selected. The Dolby Pro Logic (Dolby Pro Logic) indicator appears when the DV-CP802's Dolby Pro Logic decoder is on. The DTS indicator appears when a DTS soundtrack is selected.

27 DISC indicators 1-6

These indicators show how many discs are loaded. When the disc tray is closed, all of the disc indicators appear until the DV-CP802 has checked each bay for the presence of a disc. If a bay is found to have no disc, the corresponding indicator disappears.

PANEL VIEWS-4 REAL PANEL



① VIDEO OUTPUT

This socket outputs composite video and can be connected to a composite video input on a TV or projector.

② S VIDEO OUTPUT

This socket outputs S-Video and can be connected to an S-Video input on a TV or projector.

③ COMPONENT VIDEO OUTPUT

These sockets output component video and can be connected to a component video input on a TV or projector.

④ FRONT/D.MIX 1 & 2, SURR 1, CENTER & SUBWOOFER AUDIO OUTPUT

These sockets output 5.1-channel analog audio and can be connected to a 5.1-channel analog input on an AV receiver, surround sound decoder (Dolby Pro Logic), or other component. The FRONT/D.MIX 1 & 2 outputs can be used as either front outputs or downmix outputs.

⑤ SURR 2 AUDIO OUTPUT

These sockets output the same analog audio as the SURR1 outputs and can be connected to the analog surround back left and right inputs on a 7.1-channel AV receiver or other component. When using these sockets, the SURR MODE switch should be set to 1+2.

⑥ SURR MODE (AUDIO OUT) switch

This switch is used to set the surround output mode of the analog multichannel audio outputs. If you connect the SURR 2 outputs to a 7.1-channel AV receiver or amp, set this switch to 1+2. This reduces the output level by 3 dB. If you are not using the SURR 2 outputs, set it to 1.

⑦ Power cord

Connect the power cord to a suitable wall outlet.

⑧ OPTICAL DIGITAL AUDIO OUTPUT

This optical digital audio output can be connected to an optical digital audio input on a hi-fi amp, AV receiver, or surround sound decoder (Dolby Digital, DTS).

⑨ COAXIAL DIGITAL AUDIO OUTPUT

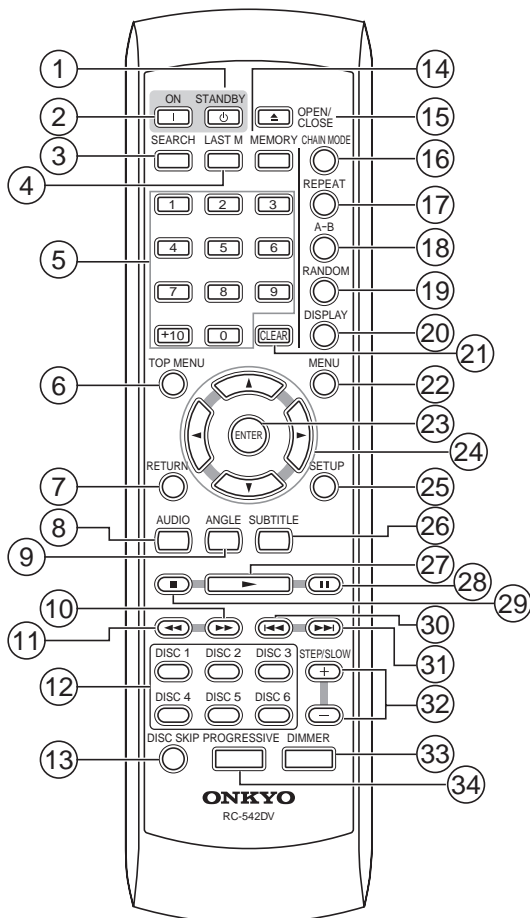
This coaxial digital audio output can be connected to a coaxial digital audio input on a hi-fi amp, AV receiver, or surround sound decoder (Dolby Digital, DTS).

⑩ RI REMOTE CONTROL

These **RI** (Remote Interactive) connectors can be connected to the **RI** connectors on your other Onkyo AV components for interactive control. To use **RI** you must make an analog audio connection (RCA) between the DV-CP802 and your Onkyo AV receiver, even if they are connected digitally.

REMOTE CONTROLLER-1

RC-542DV



① STANDBY button

This button is used to set the DV-CP802 to Standby.

② ON button

This button is used to turn on the DV-CP802.

Don't turn on the DV-CP802 until you've completed and double checked all of your connections.

③ SEARCH button

This button is used to search for titles, chapters, groups, tracks, and specific points in time.

④ LAST M button

This button is used with the Last Memory function.

⑤ Number buttons

These buttons are used to enter title, chapter, group, and track numbers and to enter times for locating specific points in time.

To enter a single-digit number, simply press the corresponding button.

To enter a double-digit number, enter the numbers in order from left-to-right (e.g., to enter 14, press [1] then [4]).

The [+10] button is used to enter multiples of ten (i.e., 10, 20, 30, and so on). For example, to enter the number 25, press the [+10] button twice followed by the [5] button.

⑥ TOP MENU button

This button is used to select the top menu.

⑦ RETURN button

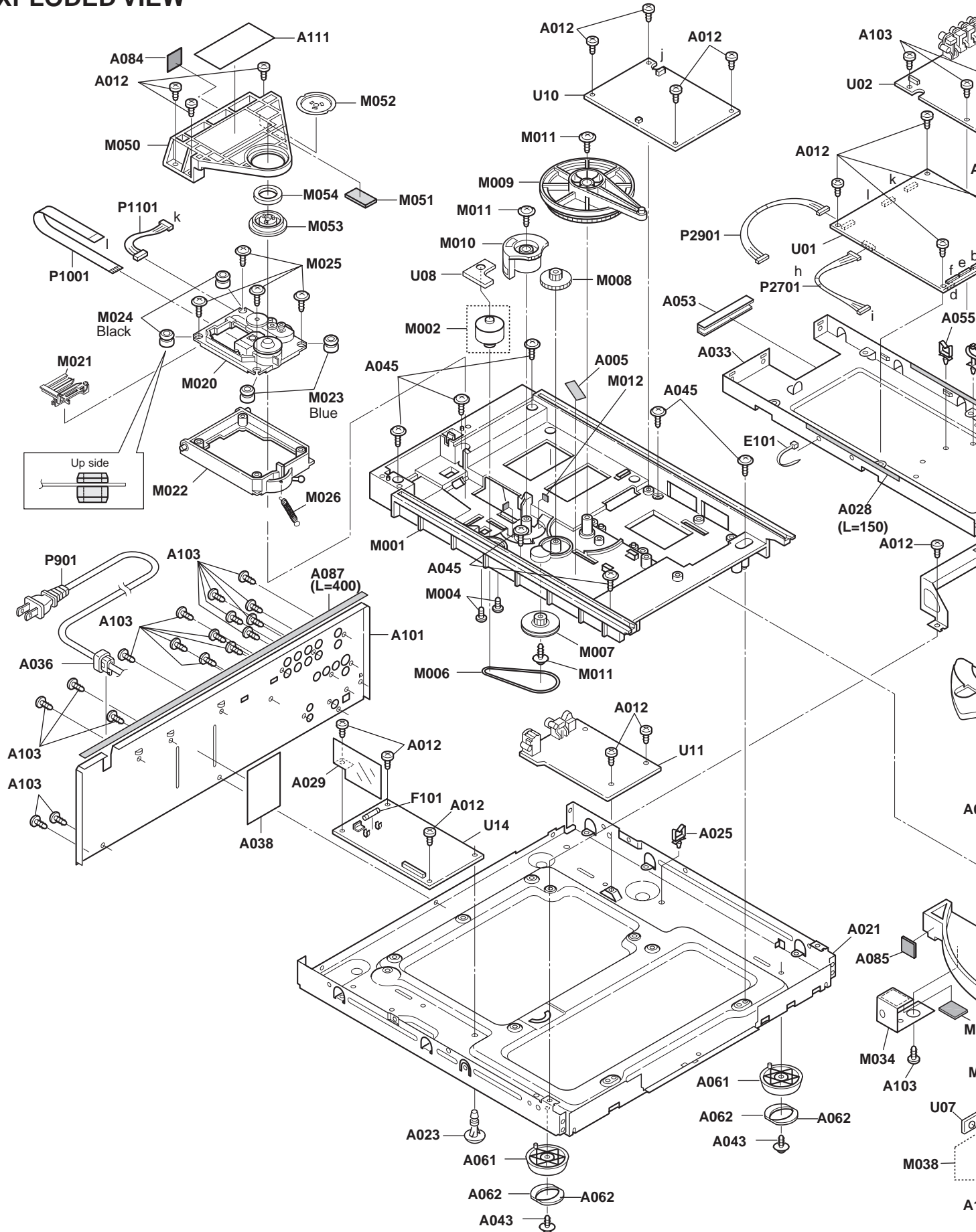
This button is used to return to the previously displayed onscreen setup menu.

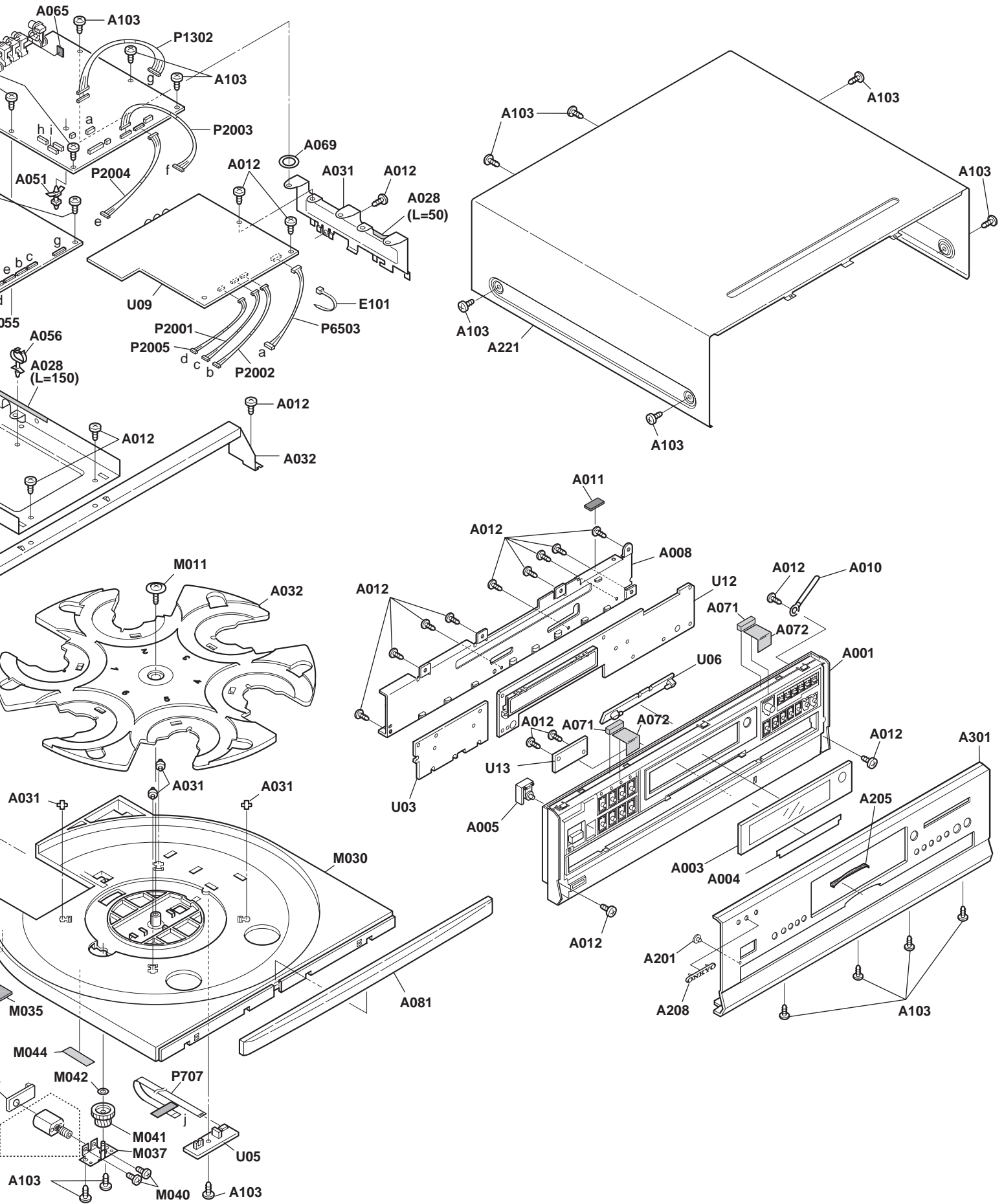
REMOTE CONTROLLER-2

RC-542DV

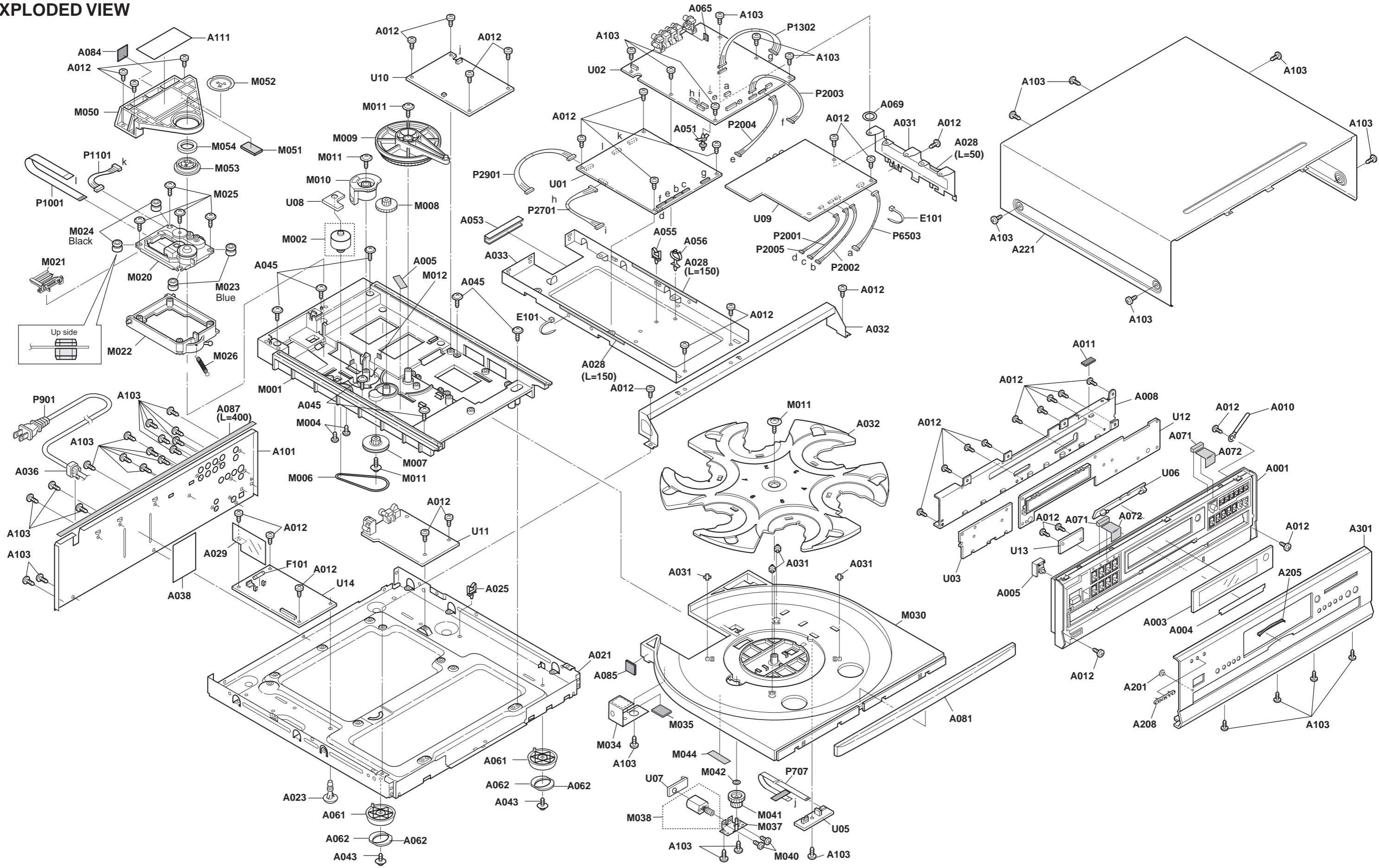
- ⑧ **AUDIO button**
This button is used to select foreign language soundtracks and audio formats (e.g., Dolby Digital or DTS).
- ⑨ **ANGLE button**
This button is used to select different camera angles.
- ⑩ **Fast Forward [▶▶] button**
This button is used to start fast forward.
- ⑪ **Fast Reverse [◀◀] button**
This button is used to start fast reverse.
- ⑫ **DISC 1-6 buttons**
These buttons are used to select discs. Playback starts automatically when discs are selected with these buttons.
- ⑬ **DISC SKIP button**
This button is used to select the disc bays (i.e., rotate the disc tray) when loading or removing discs, and to select discs for playback.
- ⑭ **MEMORY button**
This button is used with the Memory function.
- ⑮ **OPEN/CLOSE [▲] button**
This button is used to open and close the disc tray.
- ⑯ **CHAIN MODE button**
This button is used with the Chain mode function.
- ⑰ **REPEAT button**
This button is used to set the Repeat functions.
- ⑱ **A-B button**
This button is used to set the A-B Repeat function.
- ⑲ **RANDOM button**
This button is used with the Random function.
- ⑳ **DISPLAY button**
This button is used to display information about the current disc, title, chapter, group, or track, including the elapsed time, remaining time, total time, and so on.
- ㉑ **CLEAR button**
This button is used to cancel functions and to clear entered numbers.
- ㉒ **MENU button**
This button is used to show DVD menus.
- ㉓ **ENTER button**
This button is used to start playback of the selected title chapter, group, or track and to confirm settings.
- ㉔ **Arrow [▲], [▼], [◀], [▶] buttons**
These buttons are used to navigate onscreen menus.
- ㉕ **SETUP button**
This button is used to open and close the onscreen setup menus.
- ㉖ **SUBTITLE button**
This button is used to select subtitles.
- ㉗ **Play [▶] button**
This button is used to start playback.
- ㉘ **Pause [⏸] button**
This button is used to pause playback.
- ㉙ **Stop [■] button**
This button is used to stop playback.
- ㉚ **Previous [◀◀] button**
This button is used to select the previous chapter or track. During playback it selects the beginning of the current chapter or track.
- ㉛ **Next [▶▶] button**
This button is used to select the next chapter or track.
- ㉜ **STEP/SLOW [+] & [-] buttons**
These buttons are used for frame-by-frame playback and slow-motion playback.
- ㉝ **DIMMER button**
This button is used to adjust the display brightness.
- ㉞ **PROGRESSIVE button**
This button is used to turn on and off progressive scanning. Progressive scanning can be turned on or off during playback.

EXPLODED VIEW

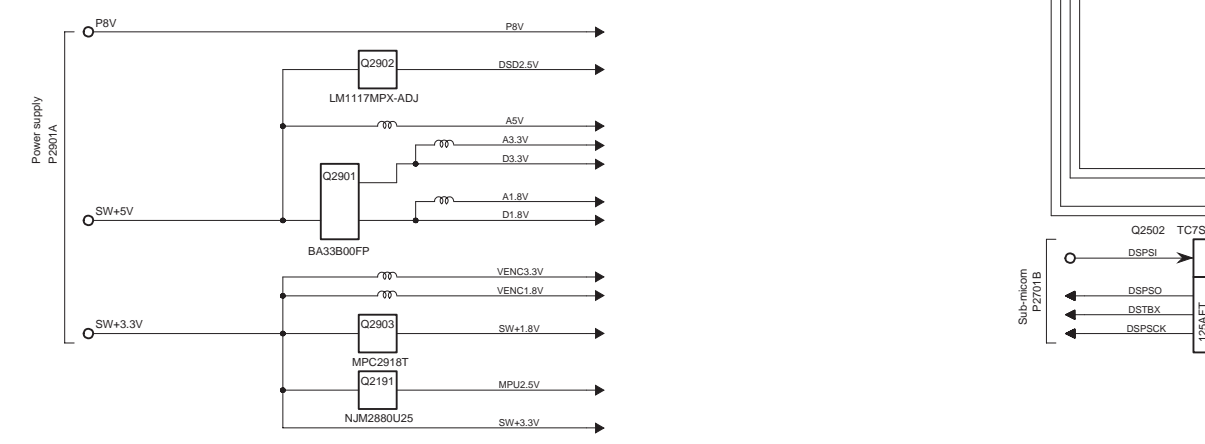
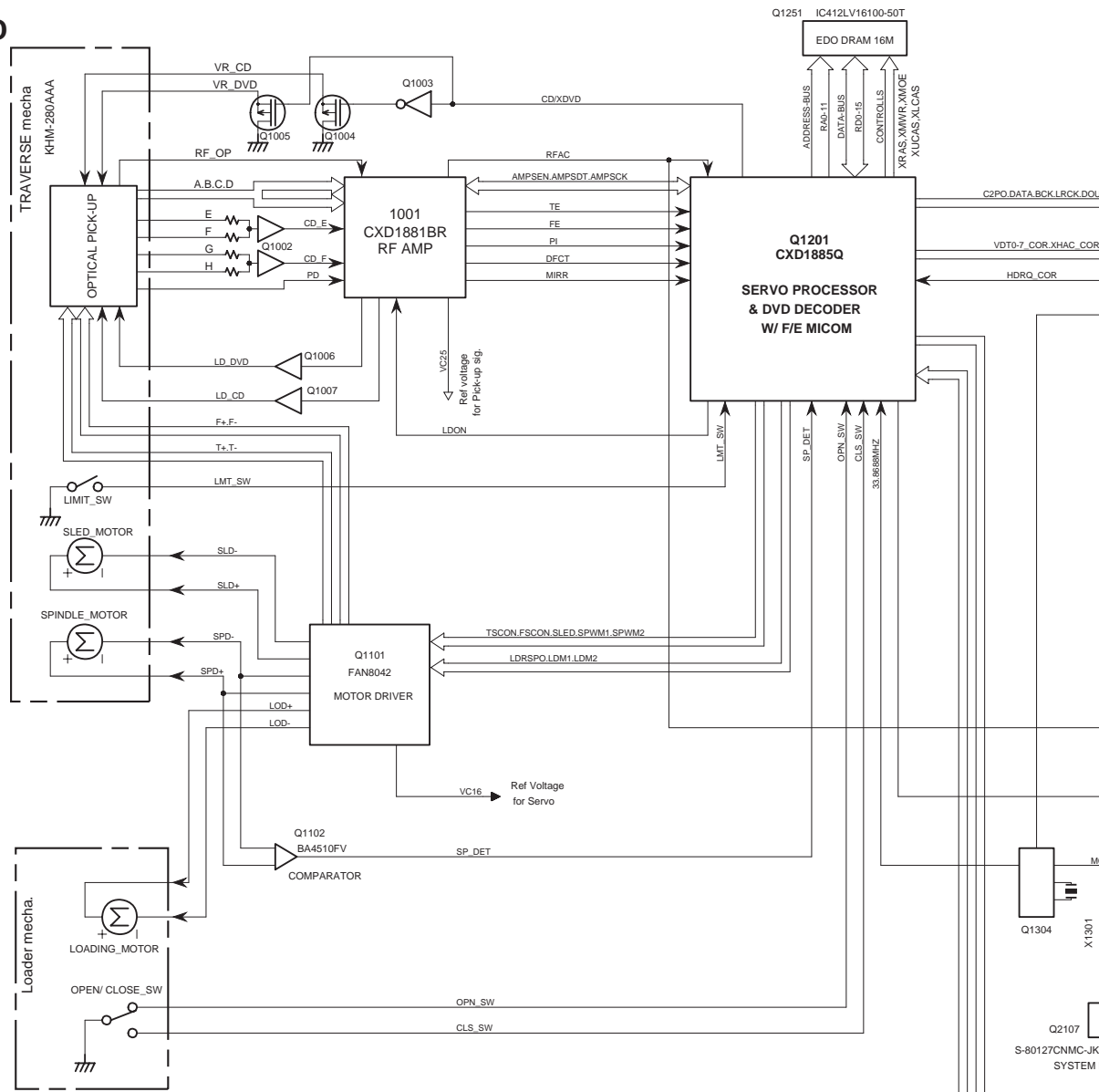




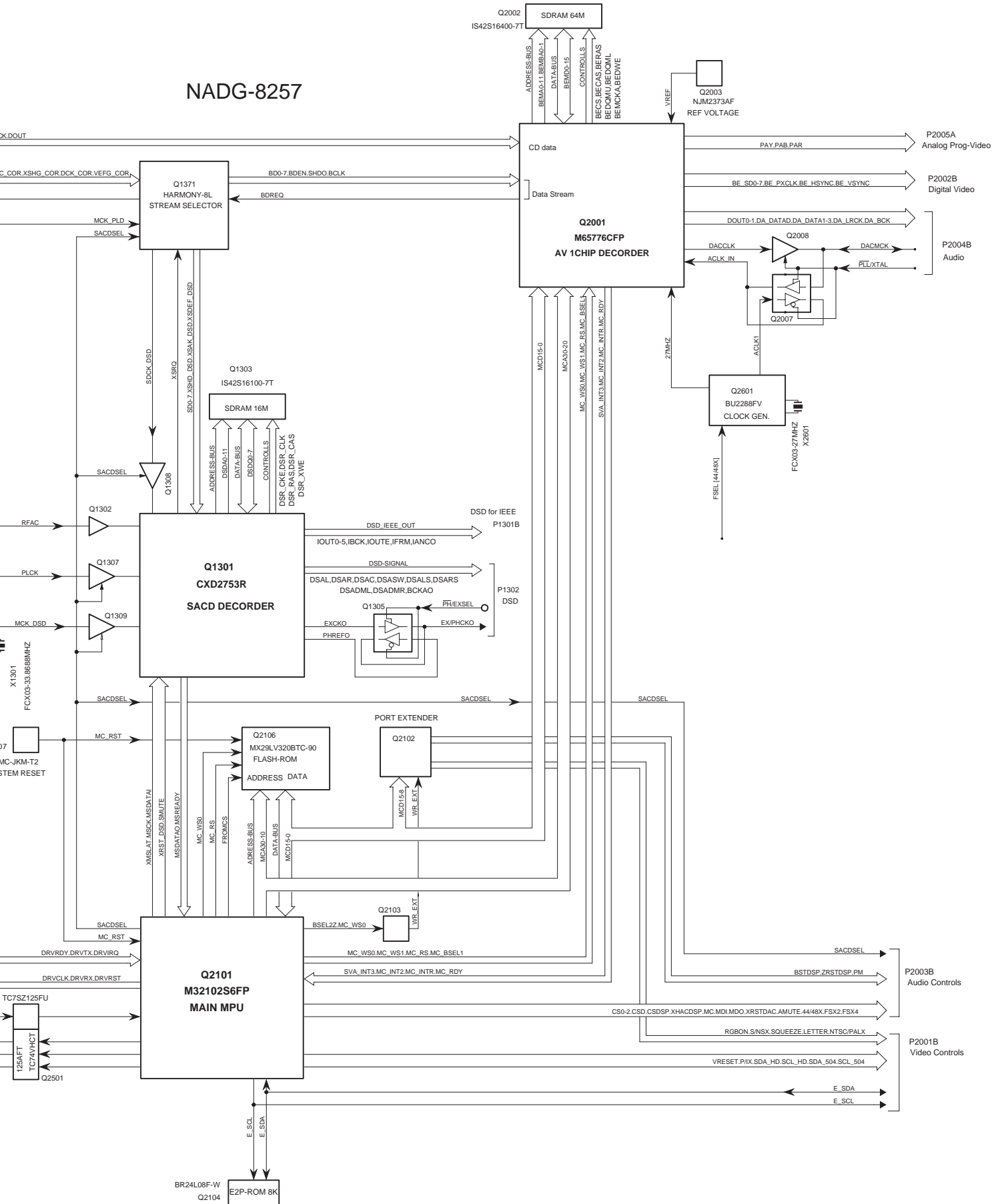
EXPLODED VIEW



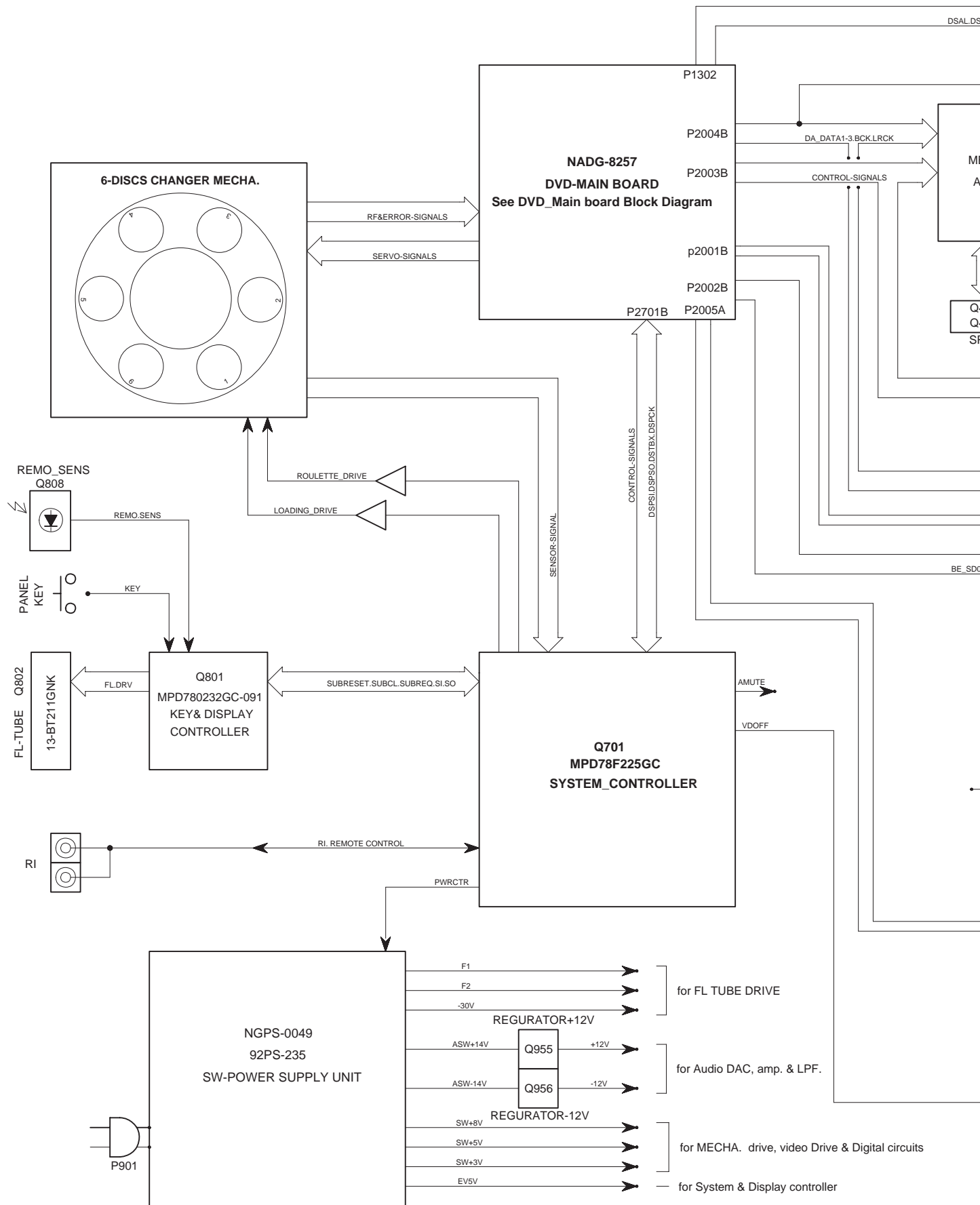
BLOCK DIAGRAM DVD MAIN BOARD

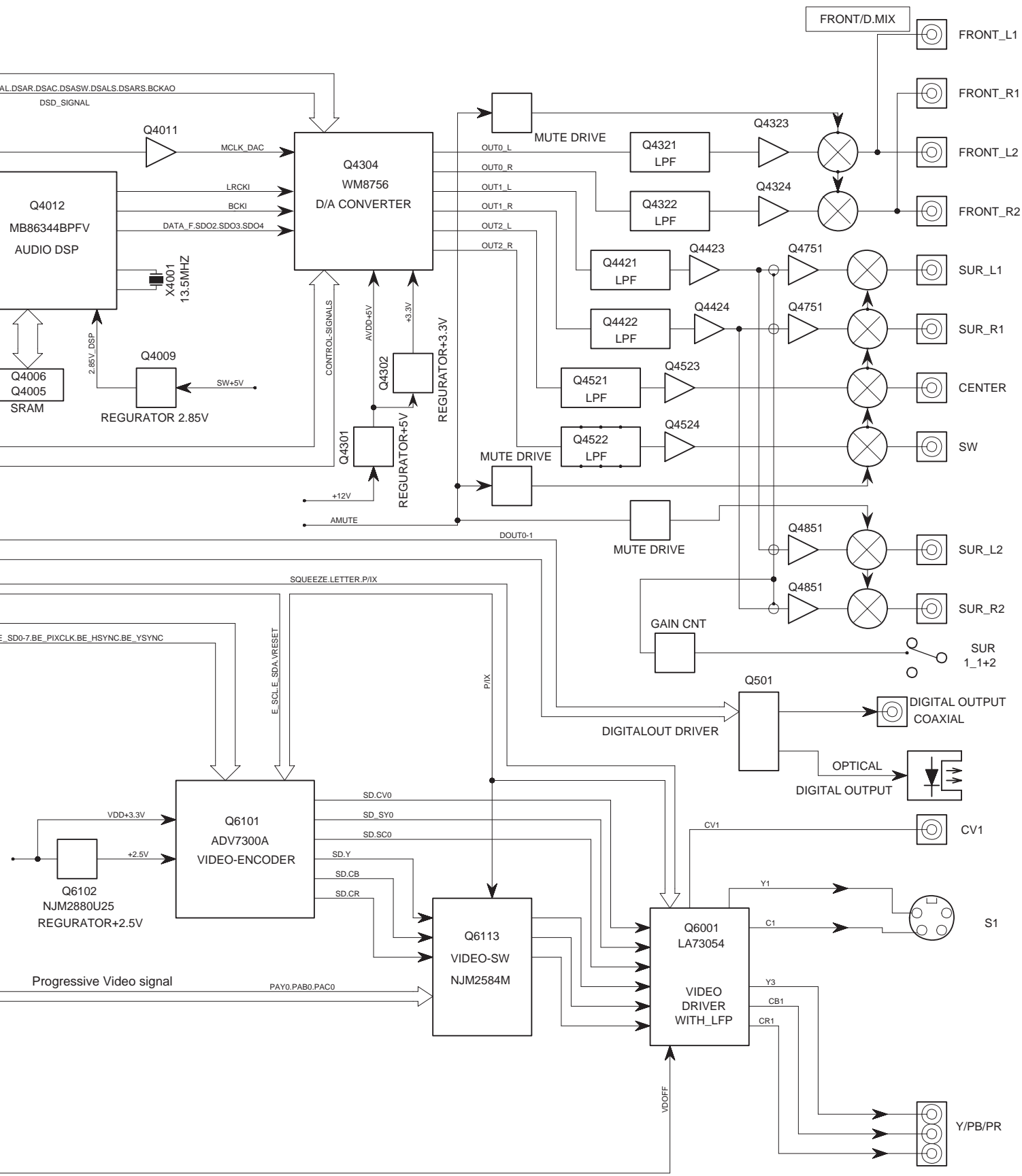


NADG-8257

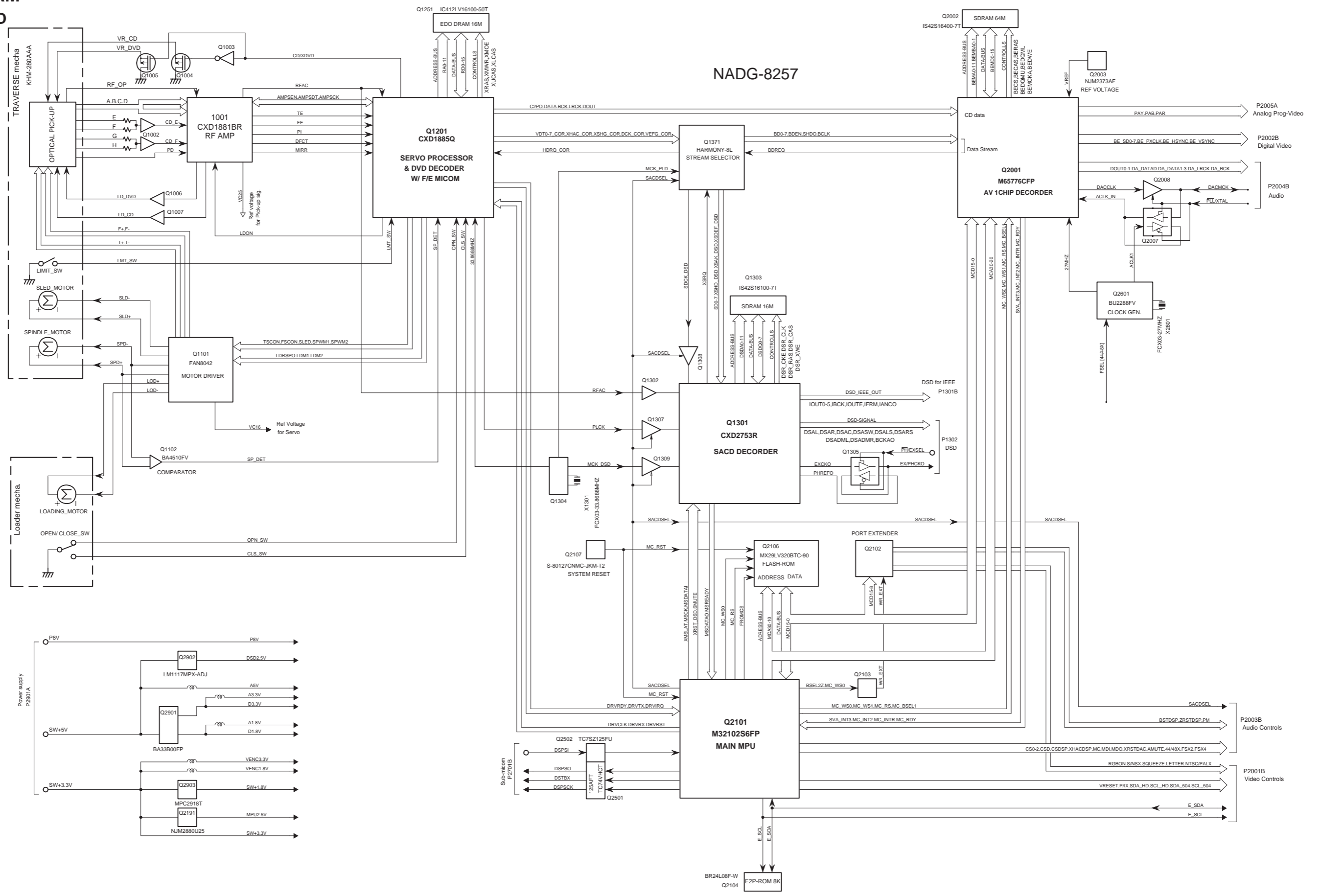


BLOCK DIAGRAM OVERALL





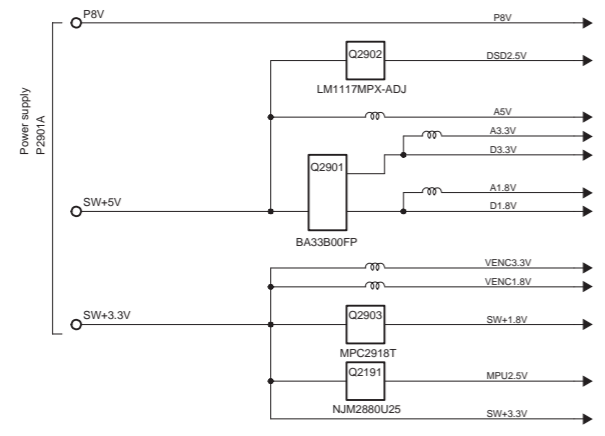
BLOCK DIAGRAM DVD MAIN BOARD



NADG-8257

TRAVERSE mecha
KHM-280AAA

Loader mecha.



Sub-microm
P2701B

P2003B
Audio Controls

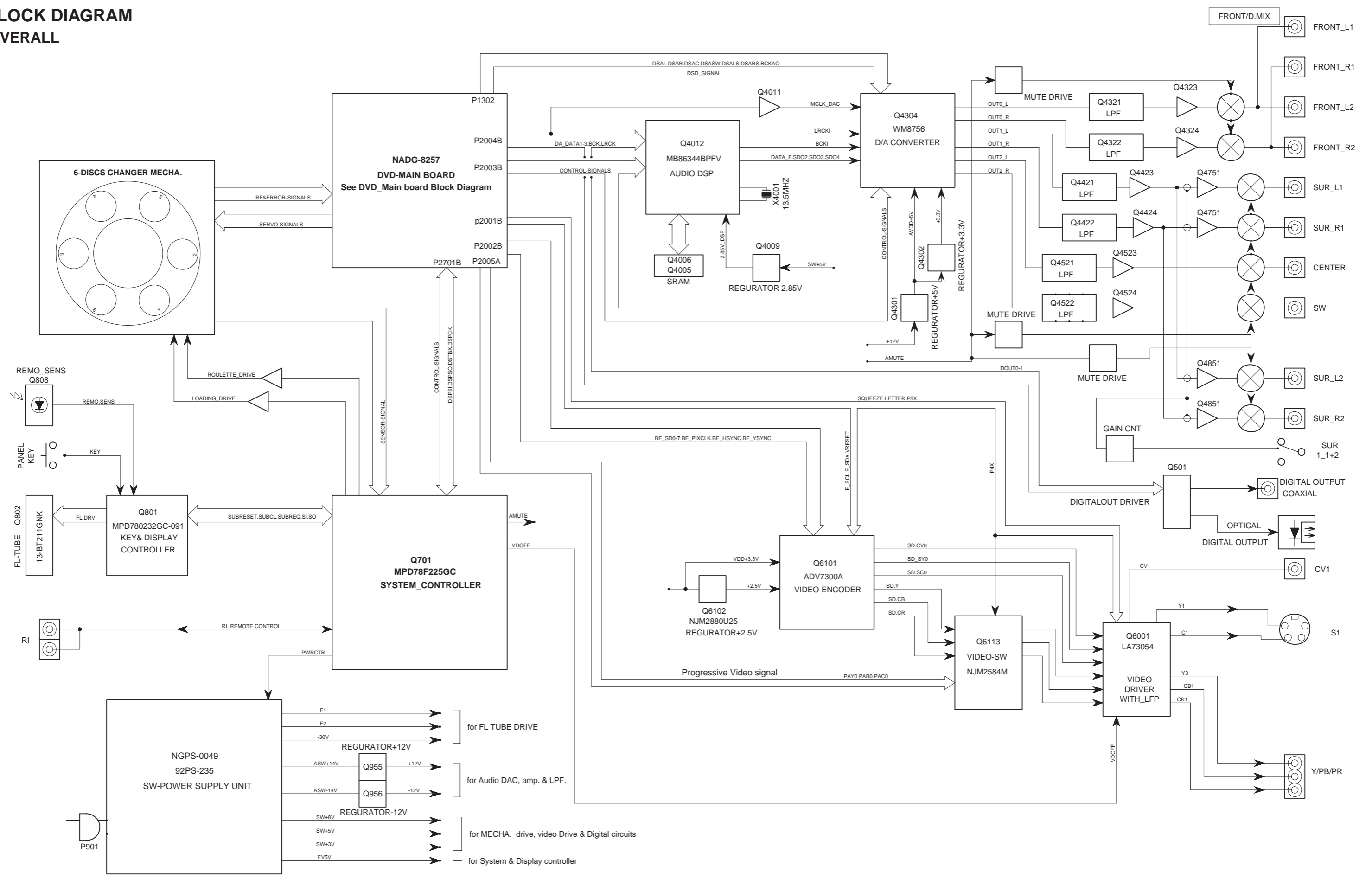
P2001B
Video Controls

P2005A
Analog Prog-Video

P2002B
Digital Video

P2004B
Audio

BLOCK DIAGRAM OVERALL



A

B

C

D

SCHEMATIC DIAGRAMS-1 U001 DVD MAIN CIRCUIT PC BOARD-1 NADG-8257

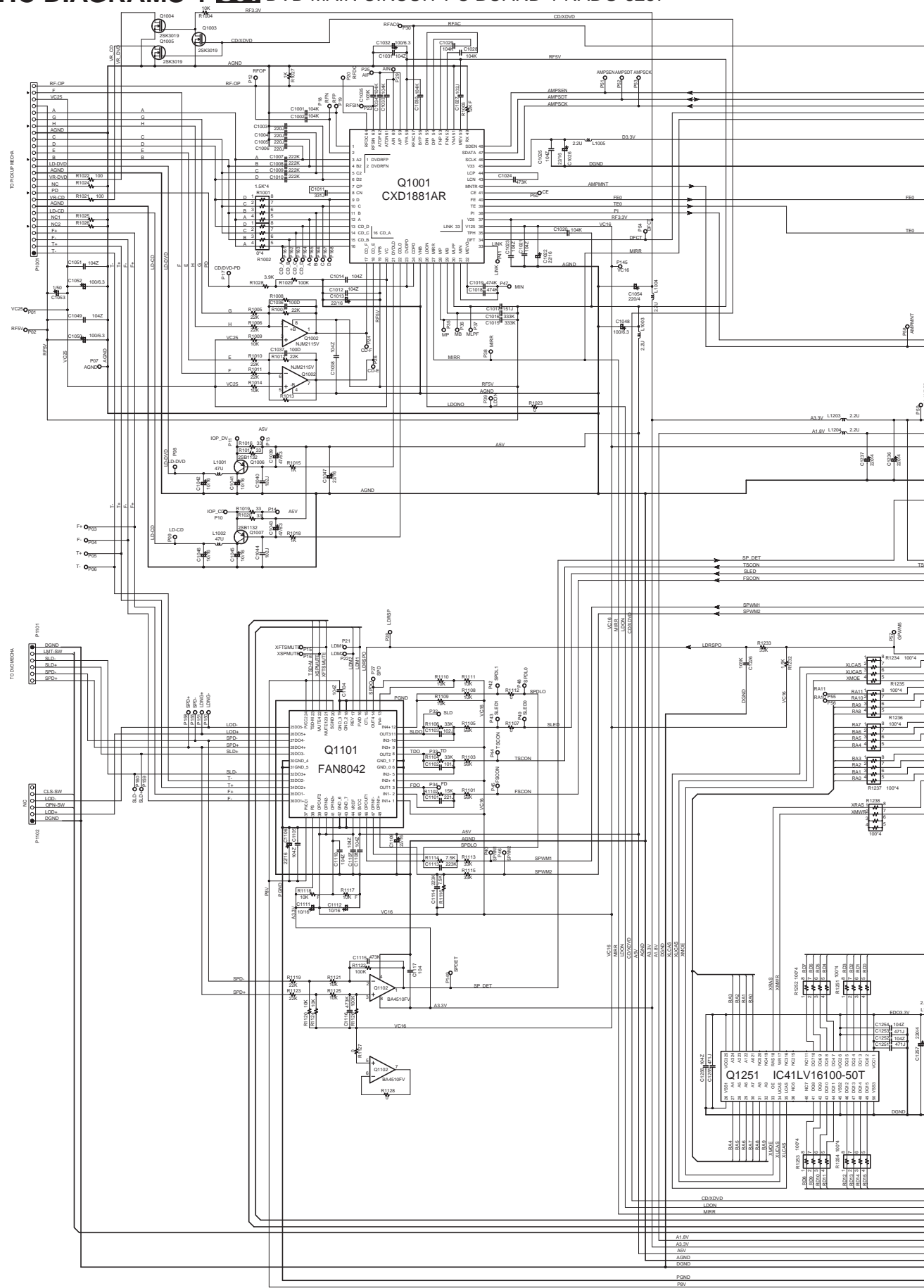
1

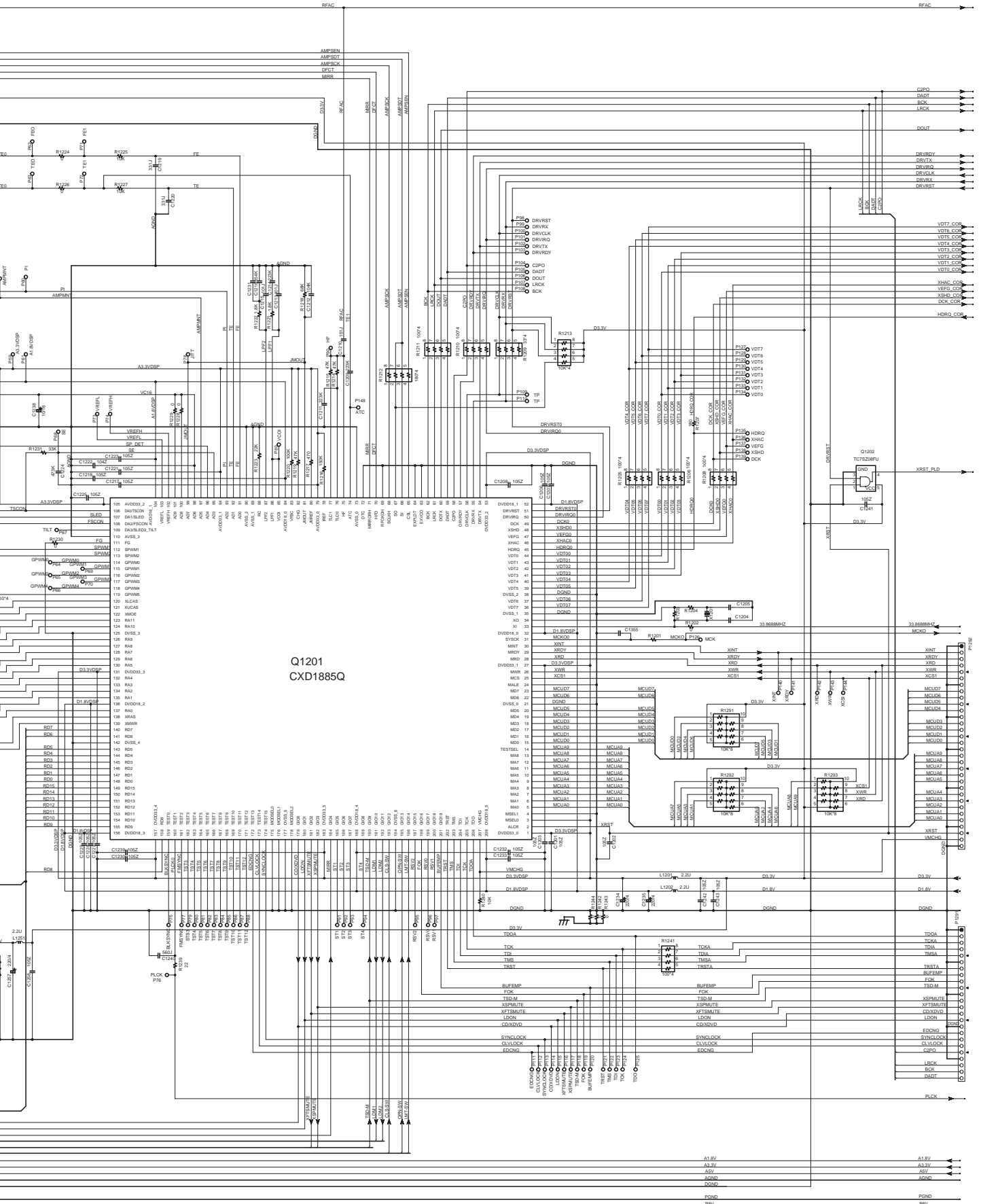
2

3

4

5





Q1201
CXD1885Q

R1291

R1292

R1293

R1241

A

B

C

D

SCHEMATIC DIAGRAMS-2

U01
 DVD MAIN CIRCUIT
 PC BOARD-2
 NADG-8257

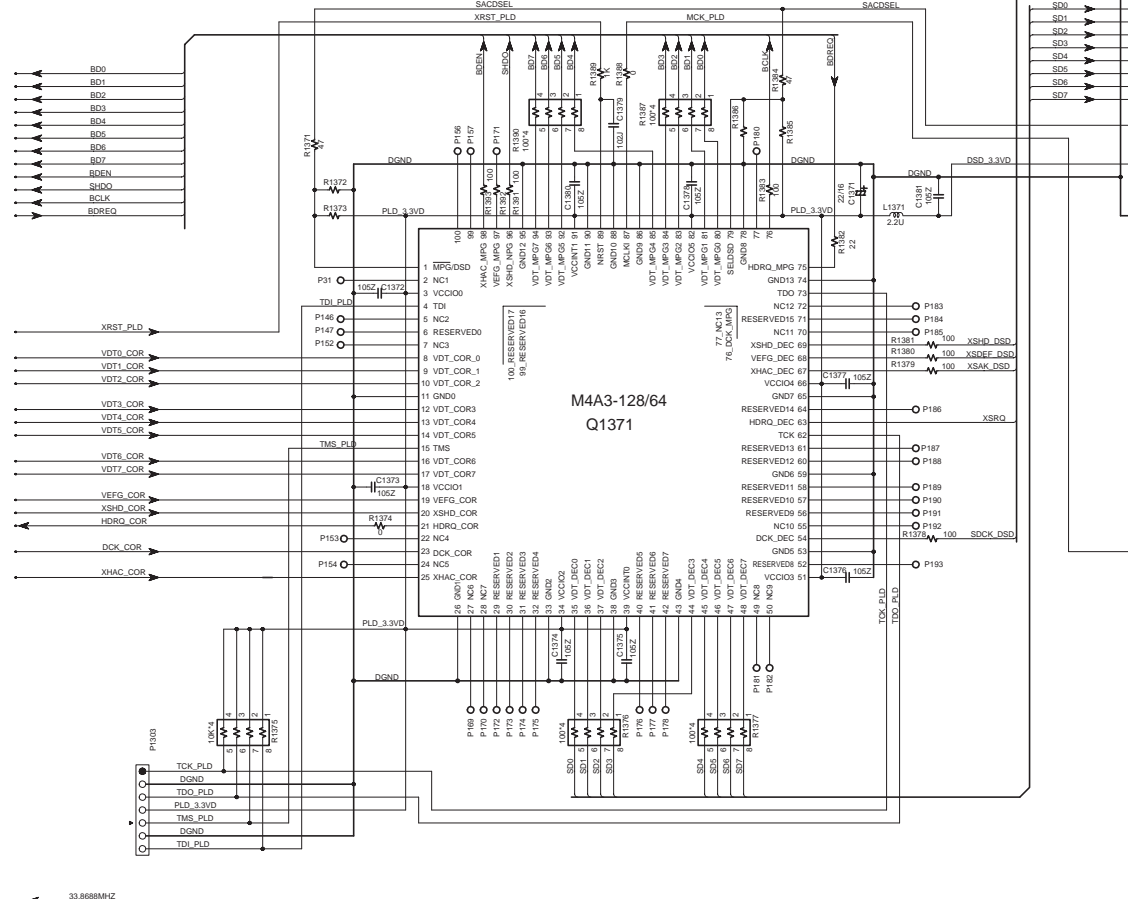
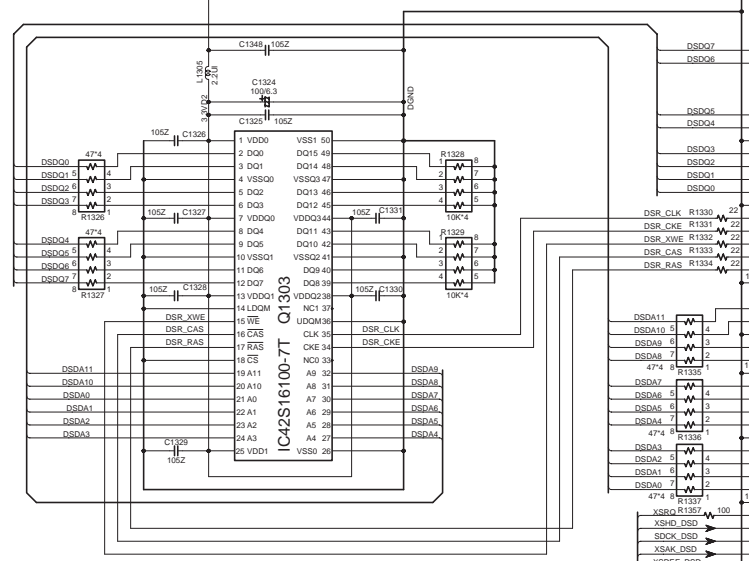
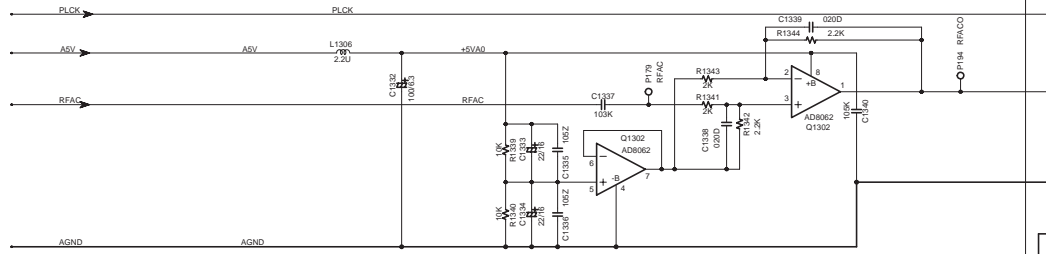
1

2

3

4

5



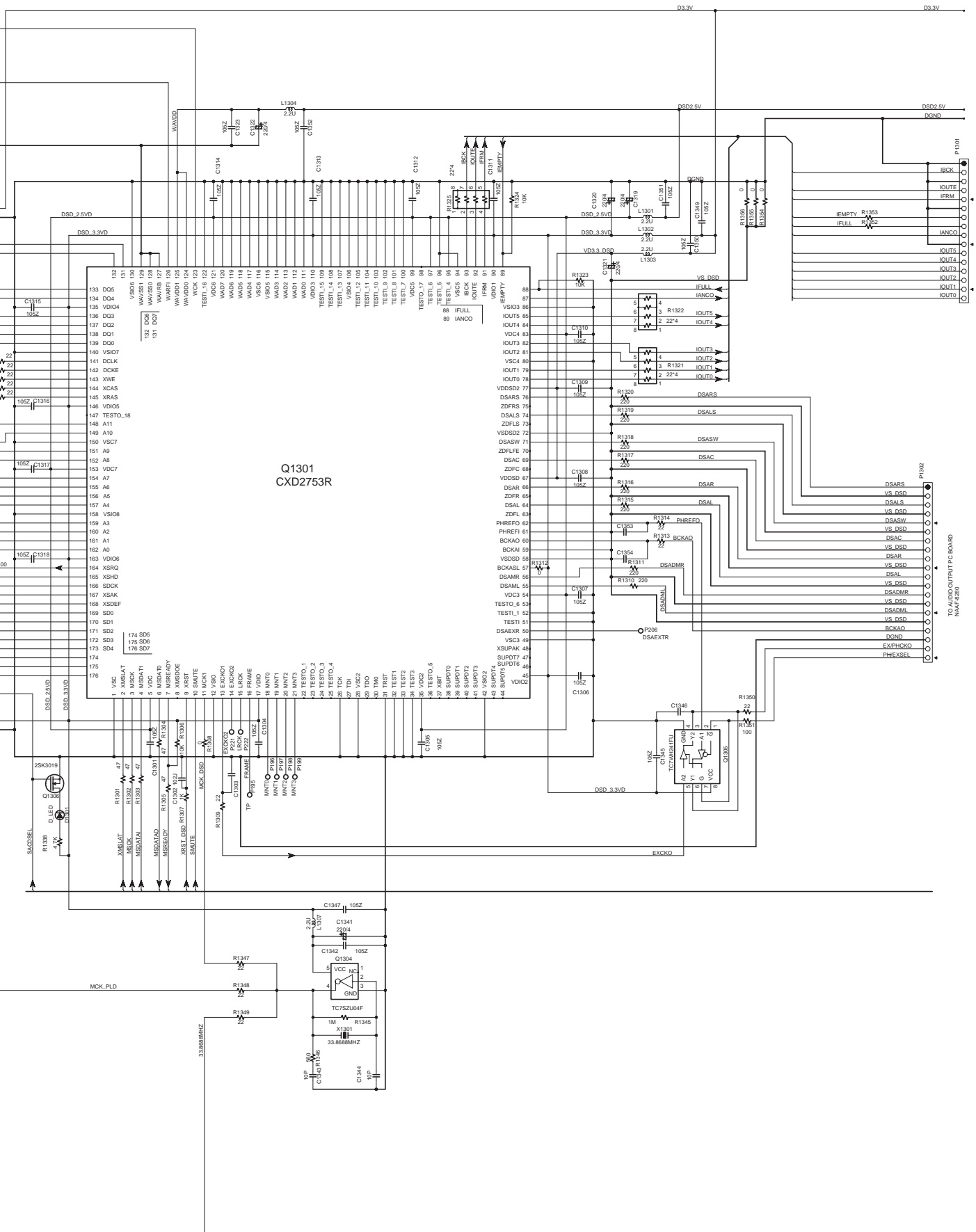
33 8688MHZ

E

F

G

H



Q1301
CXD2753R

TO NAND OUTPUT PC BOARD
NAND-8280

P1301

P1302

A

B

C

D

SCHEMATIC DIAGRAMS-3

U01

DVD MAIN CIRCUIT PC BOARD-3
NADG-8257

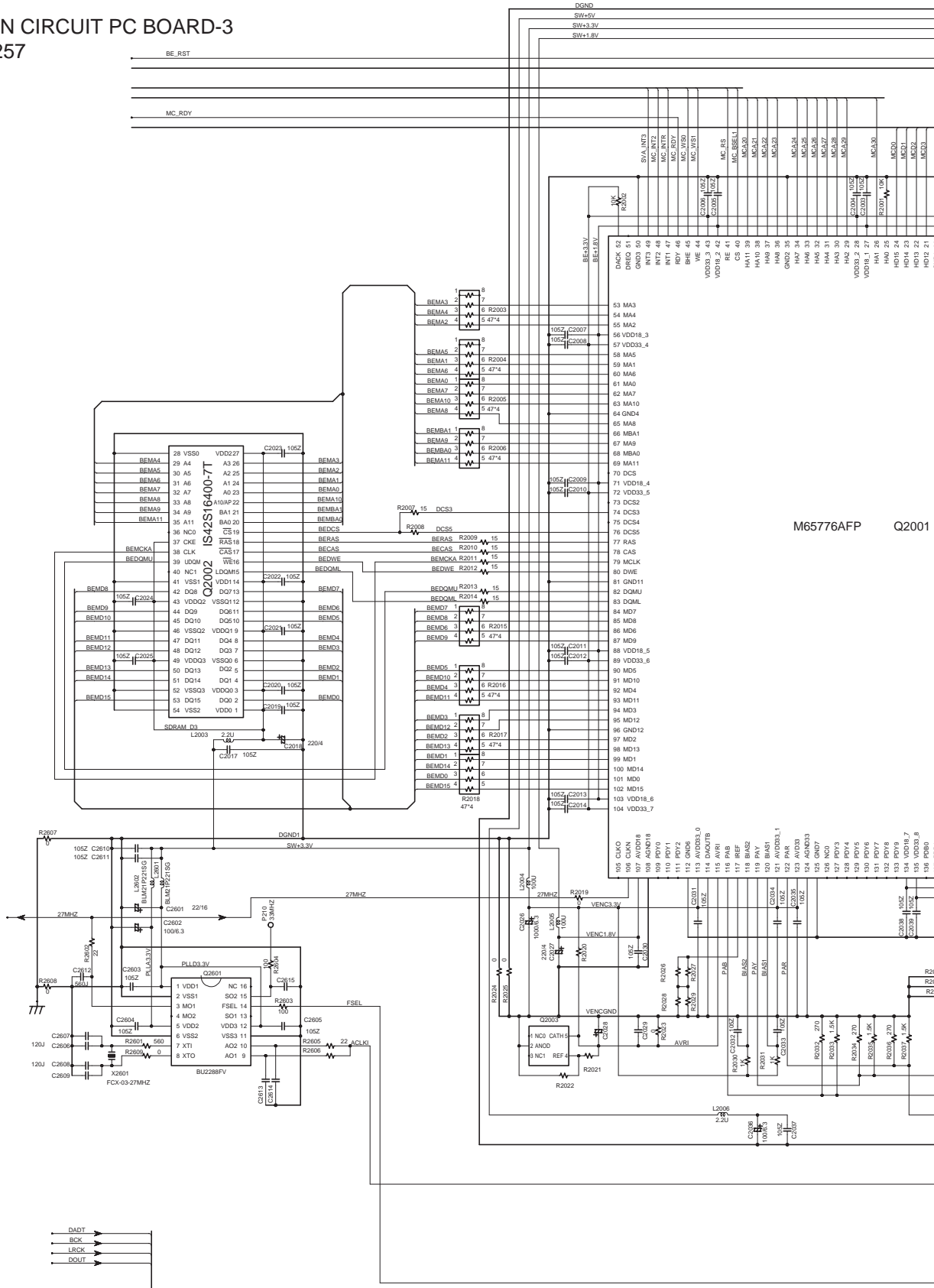
1

2

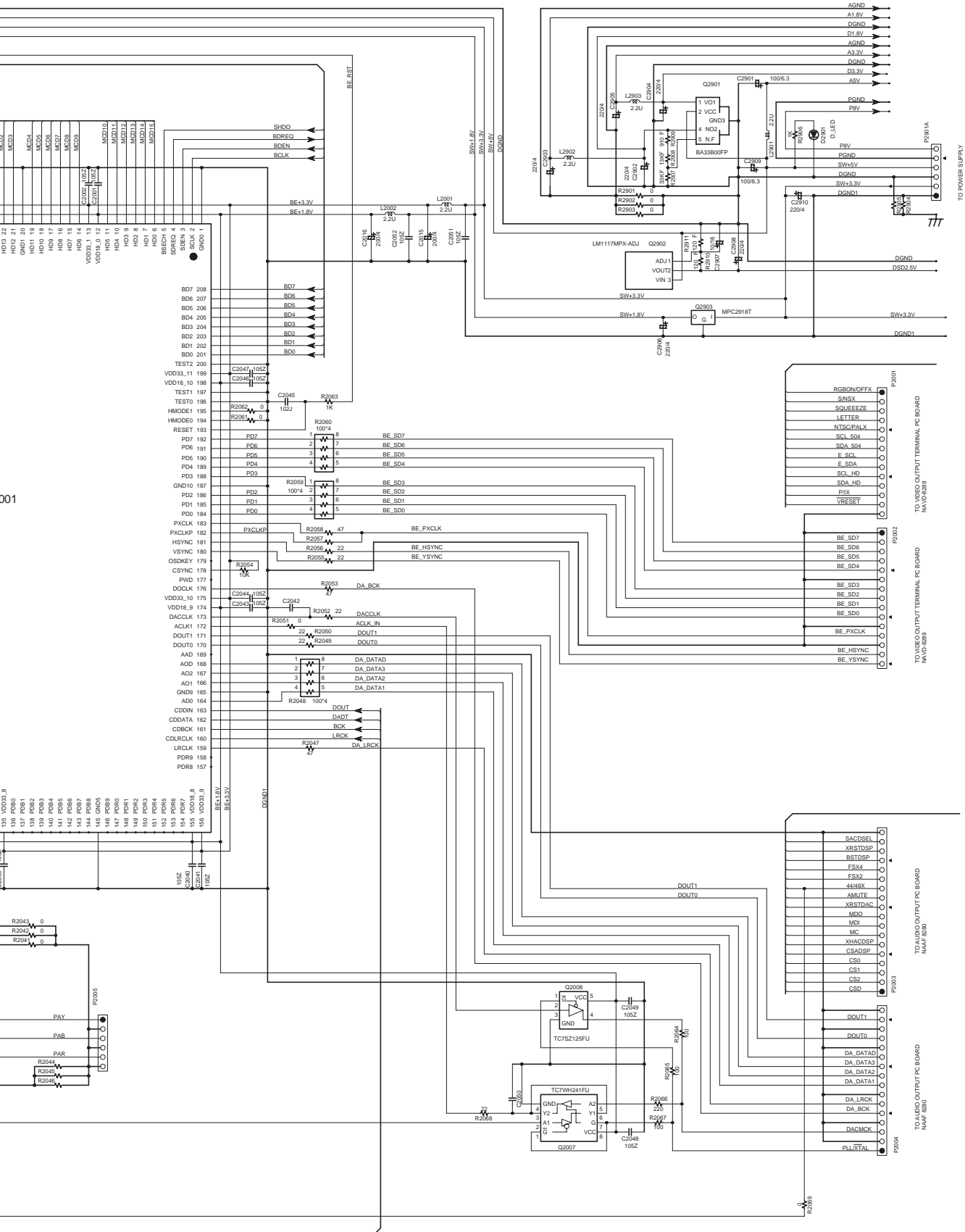
3

4

5



M65776AFP Q2001



A SCHEMATIC DIAGRAMS-4

B U01 DVD MAIN CIRCUIT PC BOARD-4 NADG-8257

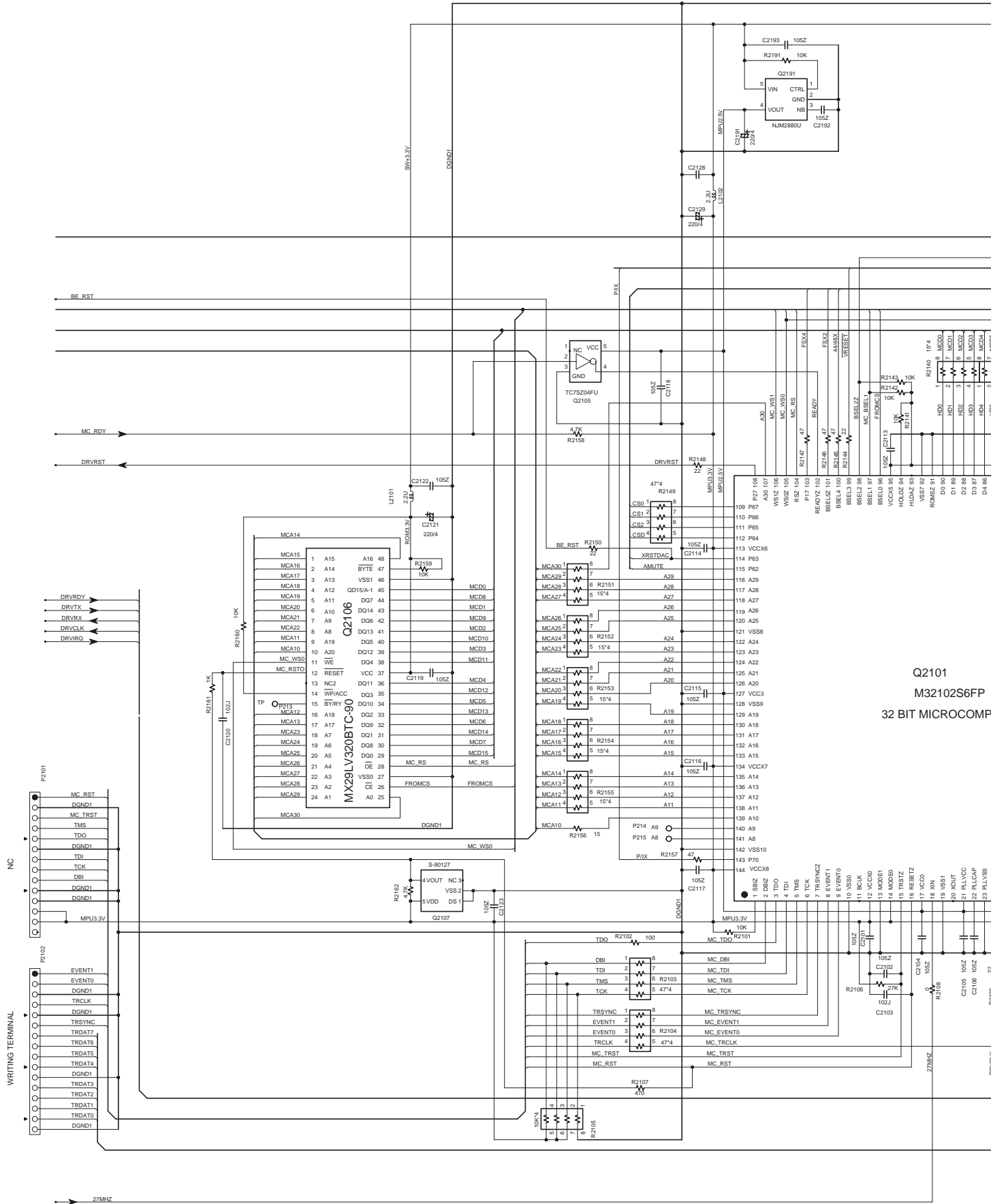
1

2

3

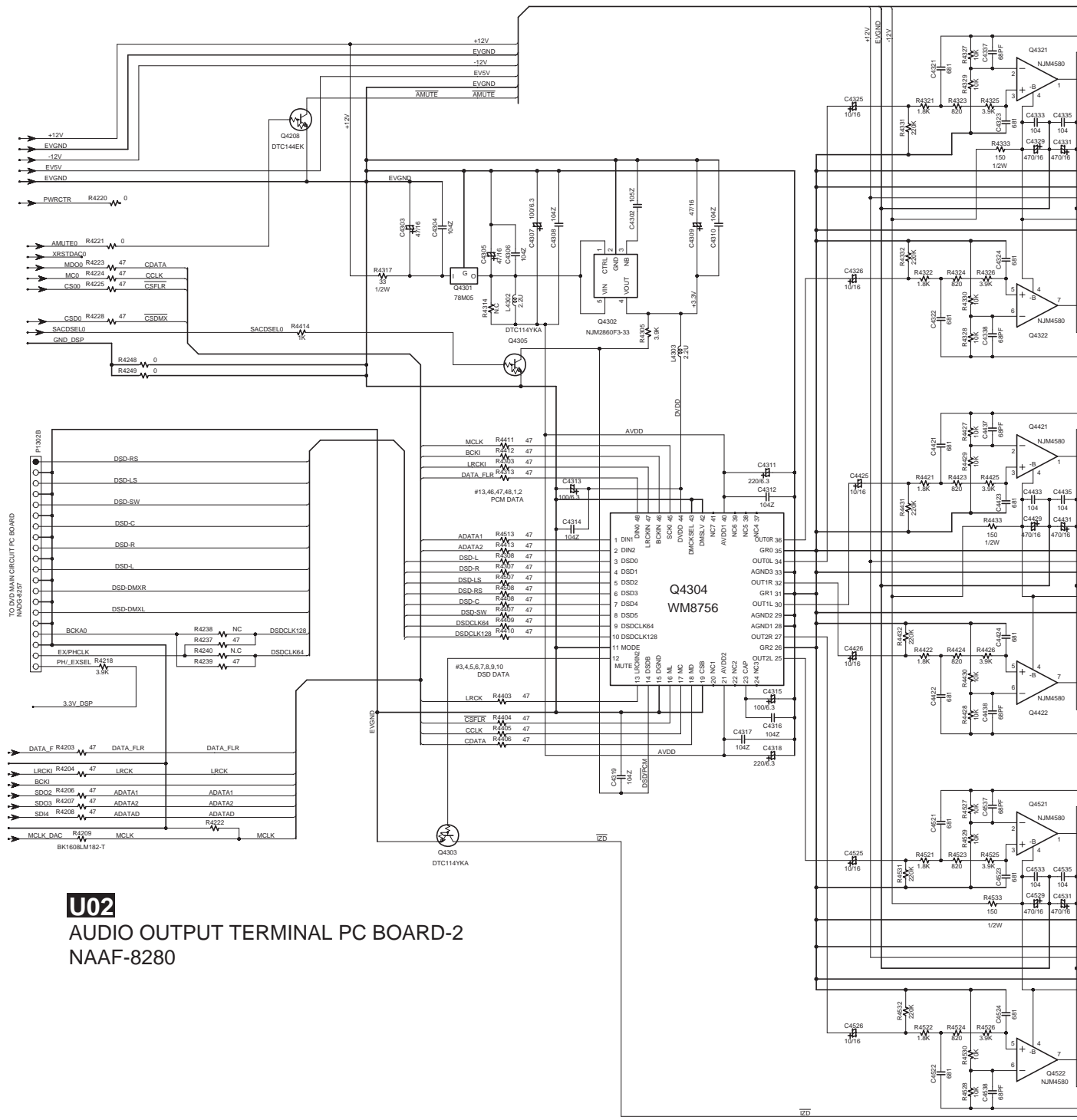
4

5



Q2101
M32102S6FP
32 BIT MICROCOMP

SCHEMATIC DIAGRAMS-6



U02
AUDIO OUTPUT TERMINAL PC BOARD-2
NAAF-8280

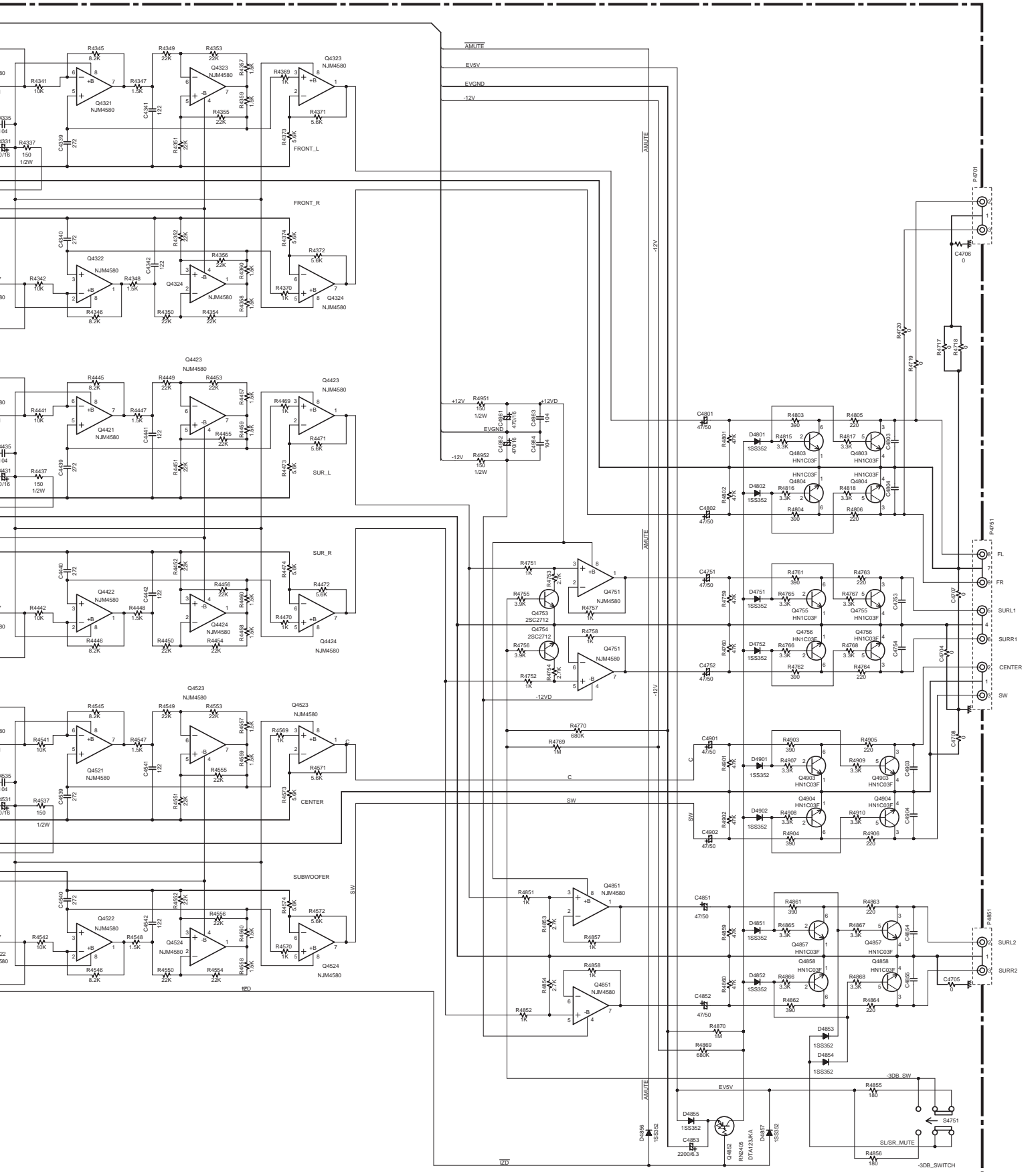
1

2

3

4

5



A

B

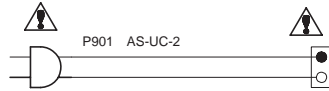
C

D

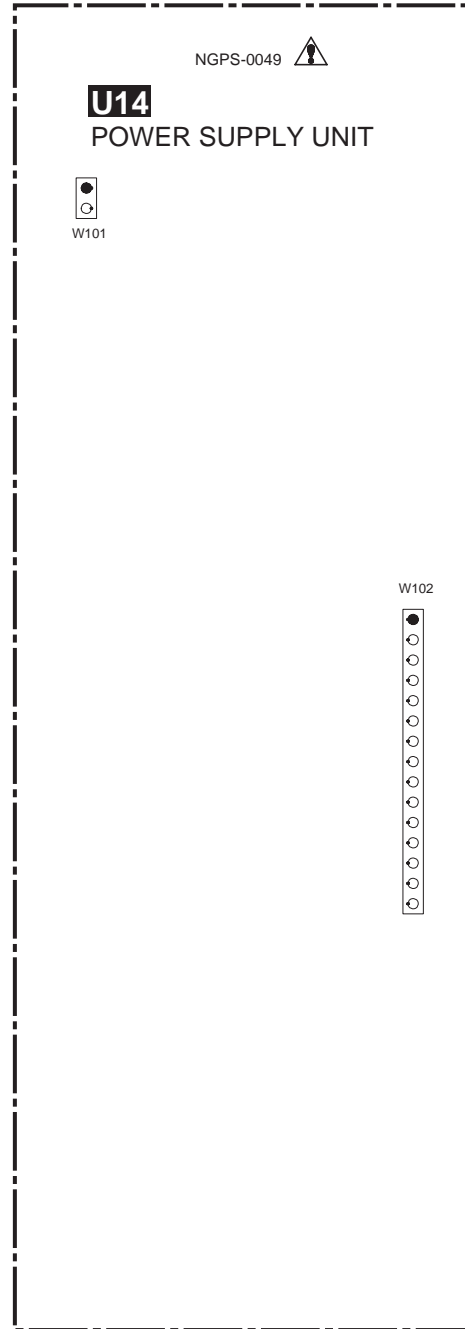
SCHEMATIC DIAGRAMS-7

U02AUDIO OUTPUT TERMINAL
NAAF-8280

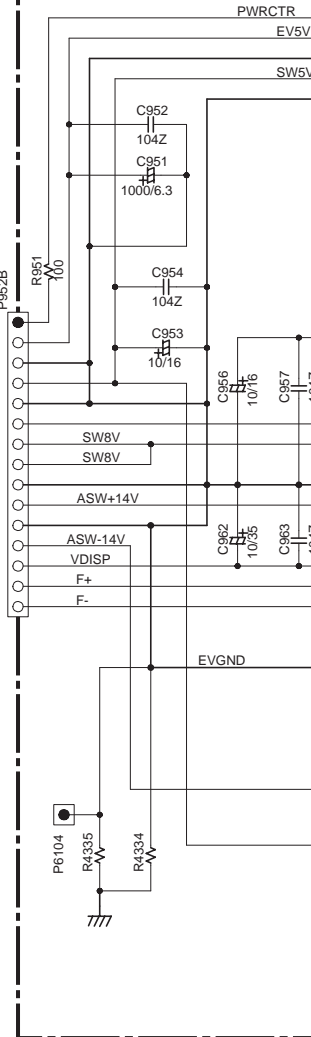
1



2



3



4

NOTE

- THE COMPONENTS IDENTIFIED BY MARK ARE CRITICAL FOR SAFETY. REPLACE ONLY WITH PART NUMBER SPECIFIED.
- VOLTAGE (MEASURED WITH VOLTMETER) IS DC VOLTAGE. (NO INPUT SIGNAL)
- ALL PNP TRANSISTORS ARE EQUIVALENT TO 2SA1015-GR UNLESS OTHERWISE NOTED.
- ALL NPN TRANSISTORS ARE EQUIVALENT TO 2SC1815-GR UNLESS OTHERWISE NOTED.
- ALL DIODES ARE EQUIVALENT TO 1SS133 UNLESS OTHERWISE NOTED.
- ELECTROLYTIC CAPACITORS () ARE IN uF/WV.
- ALL CAPACITORS ARE IN pF/50WV UNLESS OTHERWISE NOTED.
EX) 030*3pF 330*33pF 331*330pF 333*0.033uF
- ALL RESISTORS ARE IN OHMS 1/4WATTS UNLESS OTHERWISE NOTED.
- THE THICK LINES ON PC BOARD ARE THE PRINTING SIDE OF THE PARTS.
EX) PRINTING SIDE
- CIRCUIT IS SUBJECT TO CHANGE FOR IMPROVEMENT.

CAUTION

FOR CONTINUED PROTECTION
AGAINST FIRE HAZARD, REPLACE
ONLY WITH FUSE OF SAME TYPE
AND RATING INDICATED.

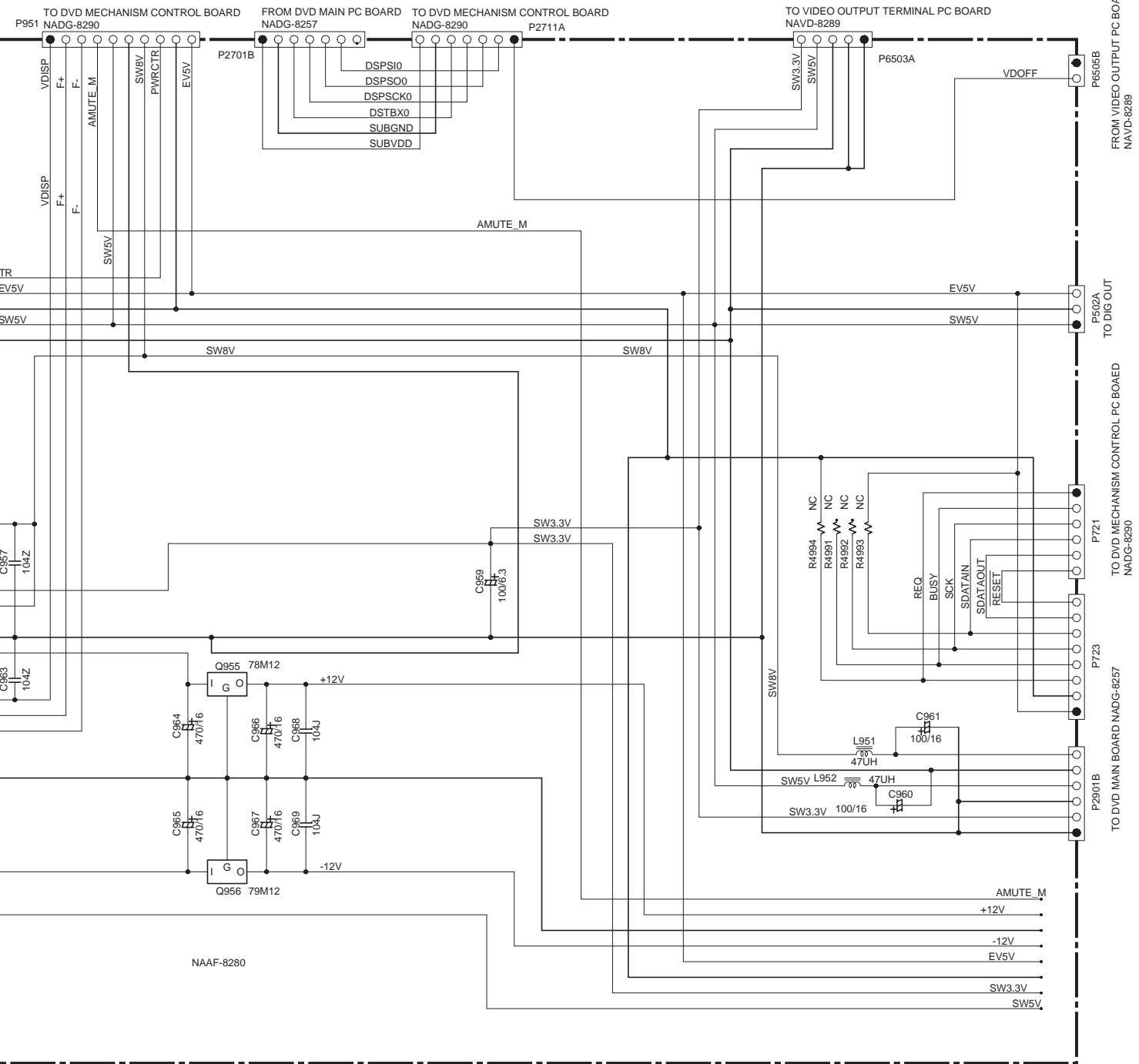
**ATTENTION**

AFIN D'ASSURER UNE PROTECTION
PERMANENTE CONTRE LES RISQUES
D'INCENDIE, REMPLACER UNIQUEMENT
PAR UN FUSIBLE DE MEME TYPE
ET CALIBRATION COMME INDIQUE.



5

MINAL PC BOARD-3



THIS SYMBOL LOCATED NEAR THE FUSE INDICATES THAT THE FUSE USED IS SLOW OPERATING TYPE FOR CONTINUED PROTECTION AGAINST FIRE HAZARD. REPLACE WITH SAME TYPE FUSE. FOR FUSE RATING REFER TO THE MARKING ADJACENT TO THE SYMBOL

CE SYMBOLE INDIQUE QUE LE FUSIBLE UTILISE EST LENT. POUR UNE PROTECTION PERMANENTE, N'UTILISER QUE DES FUSIBLES DE MEME TYPE. CE DERNIER EST INDIQUE LA QU LE PRESENT SYMBOLE EST APPOSE.

A

B

C

D

SCHEMATIC DIAGRAMS-8

1

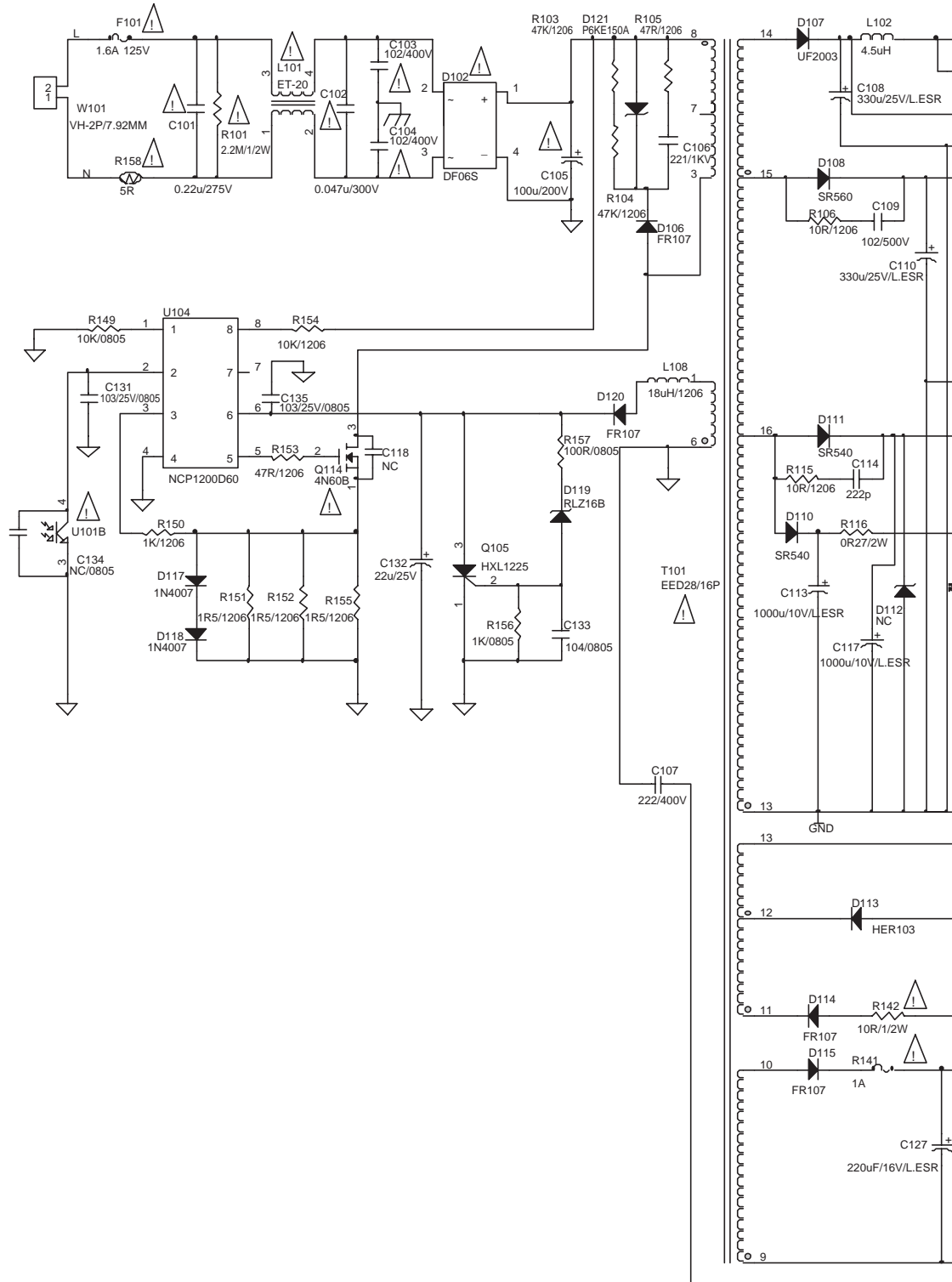
U14
POWER SUPPLY UNIT
NGPS-0049

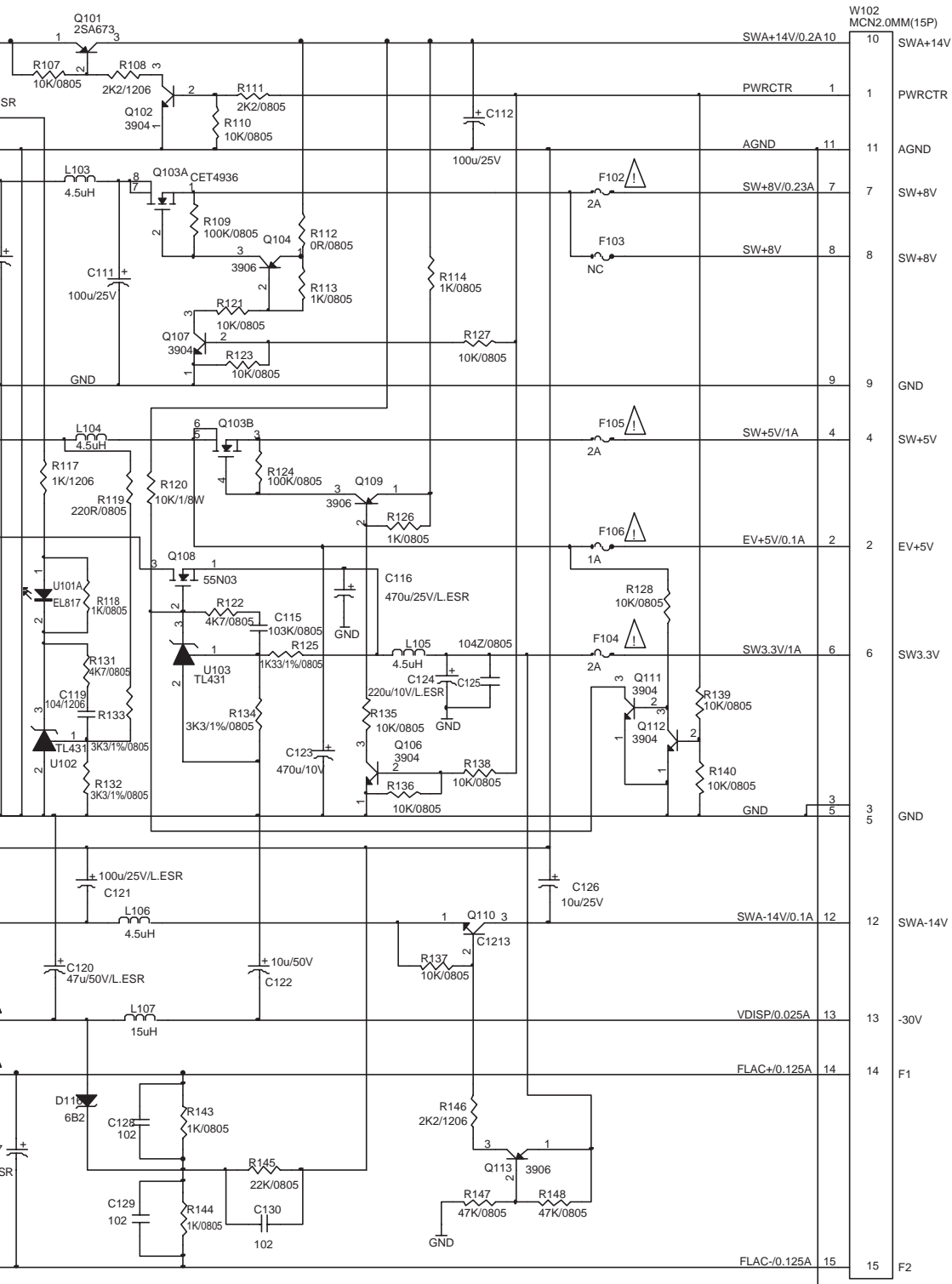
2

3

4

5





A

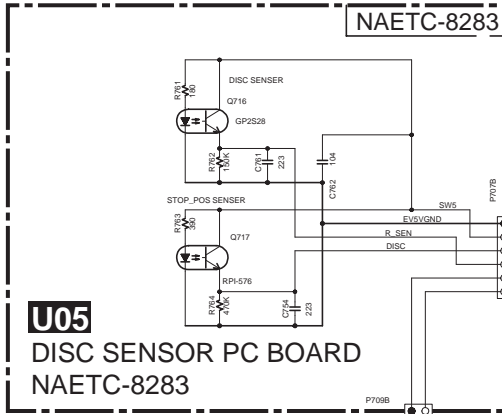
B

C

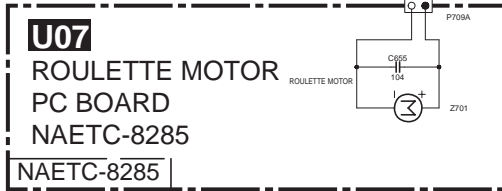
D

SCHEMATIC DIAGRAMS-9

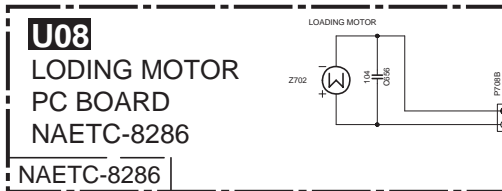
1



2

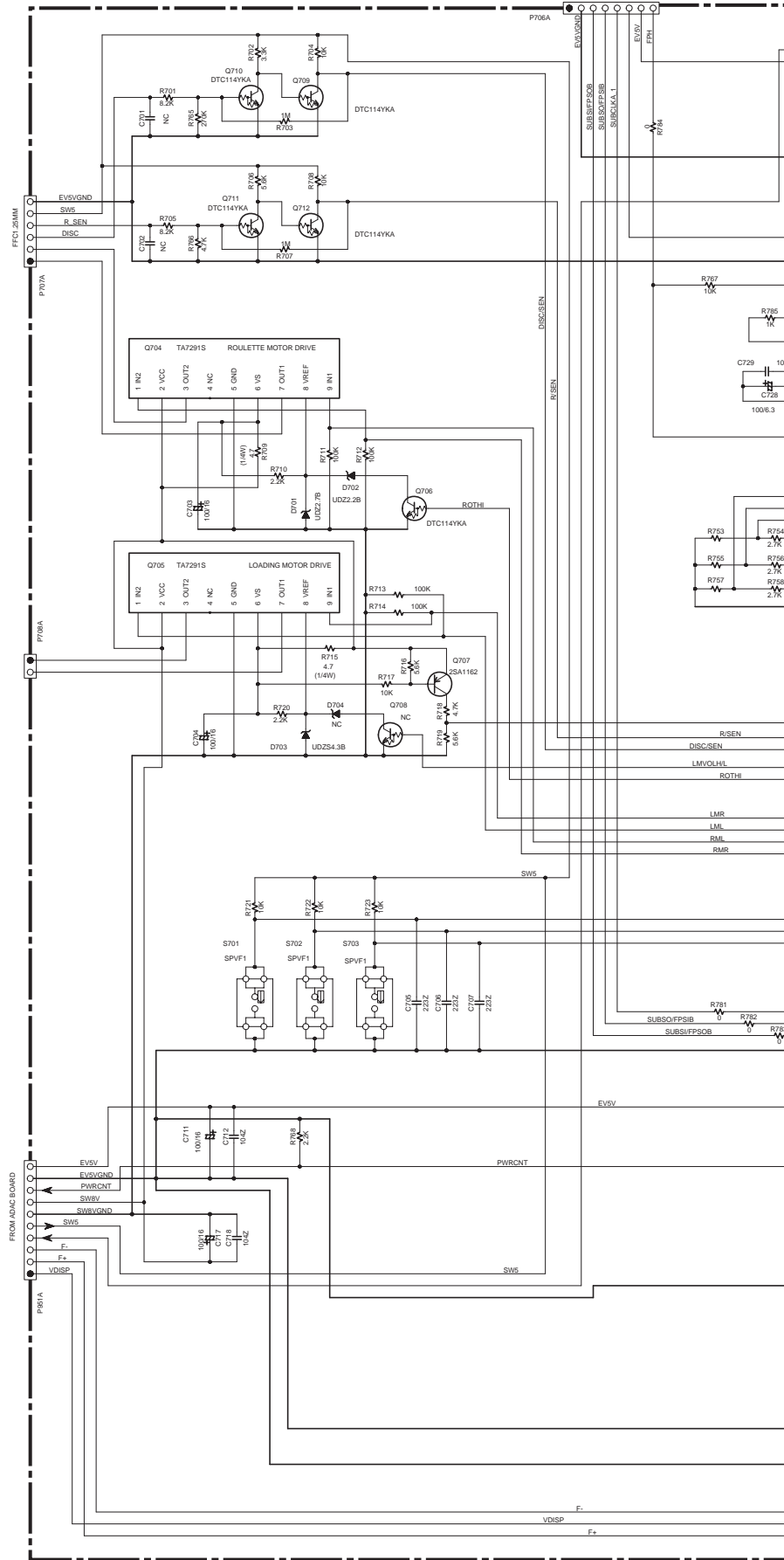


3



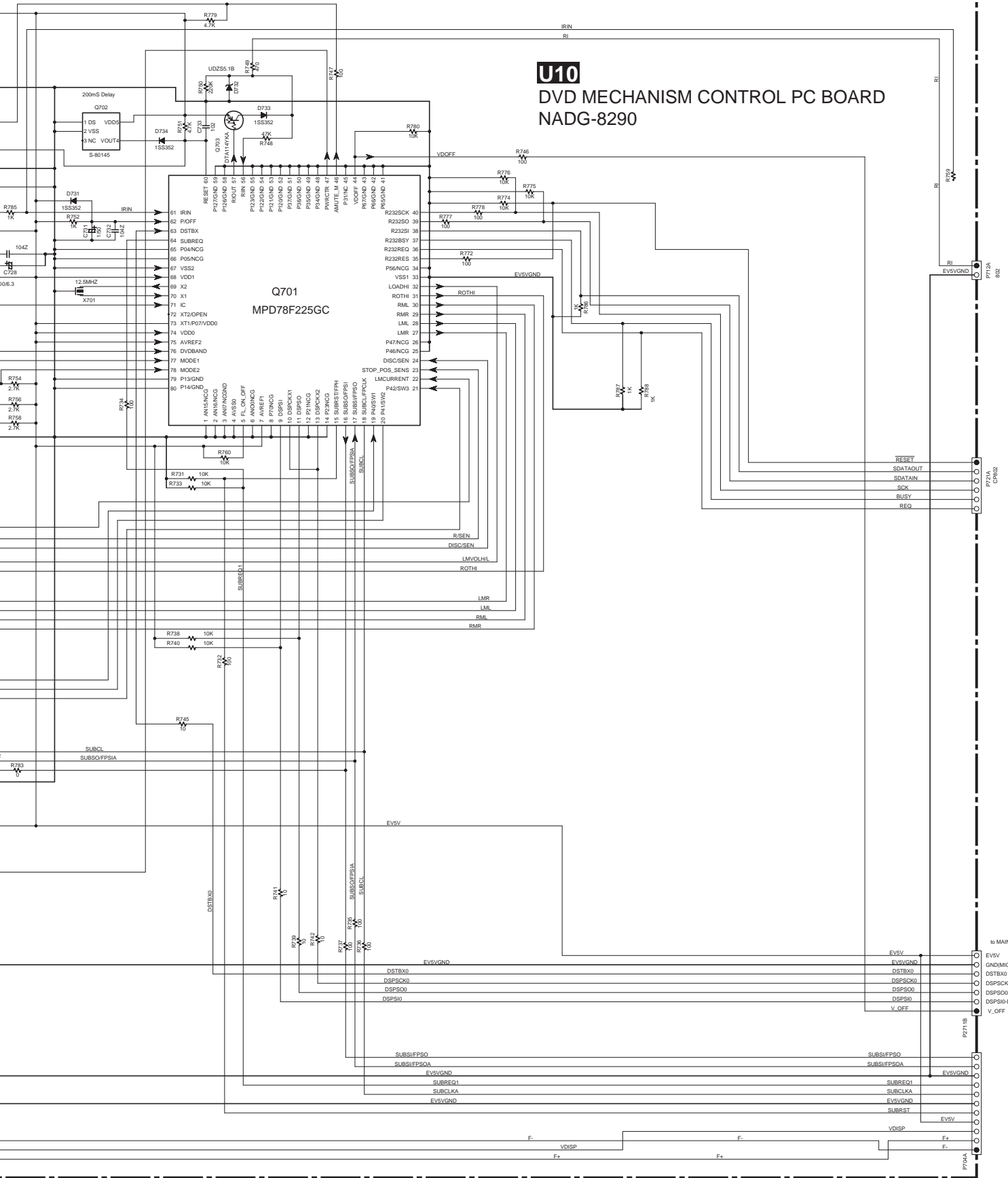
4

5



NADG-8290

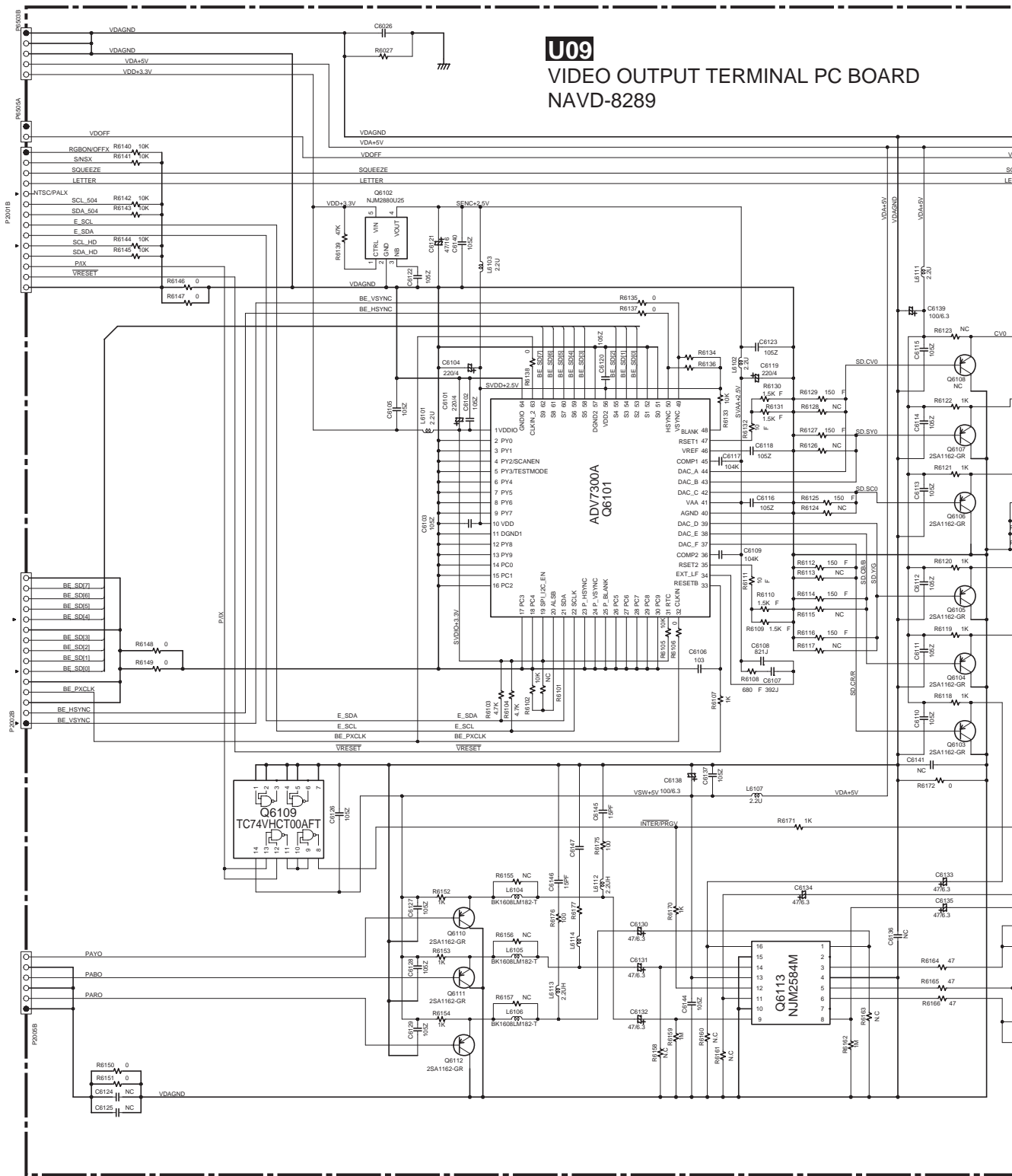
U10 DVD MECHANISM CONTROL PC BOARD NADG-8290



A B C D

SCHEMATIC DIAGRAMS-10

U09
VIDEO OUTPUT TERMINAL PC BOARD
NAVD-8289



1

2

3

4

5

NOTE

- THE COMPONENTS IDENTIFIED BY MARK ARE CRITICAL FOR SAFETY. REPLACE ONLY WITH PART NUMBER SPECIFIED.
- VOLTAGE MEASURED WITH VOLTMETER. IS DC VOLTAGE. (NO INPUT SIGNAL)
- ALL PNP TRANSISTORS ARE EQUIVALENT TO 2SA1015-GR UNLESS OTHERWISE NOTED.
- ALL NPN TRANSISTORS ARE EQUIVALENT TO 2SC1815-GR UNLESS OTHERWISE NOTED.
- ALL DIODES ARE EQUIVALENT TO 1S5133 UNLESS OTHERWISE NOTED.
- ELECTROLYTIC CAPACITORS () ARE IN uF/WV.
- ALL CAPACITORS ARE IN pF/50V UNLESS OTHERWISE NOTED.
- EX) 020p 35F 330V=35pF 331=330pF 333=0.033uF
- ALL RESISTORS ARE IN OHMS UNLESS OTHERWISE NOTED.
- THE THICK LINES ON PC BOARD ARE THE PRINTING SIDE OF THE PARTS.
- EX) PRINTING SIDE
- CIRCUIT IS SUBJECT TO CHANGE FOR IMPROVEMENT.

CAUTION

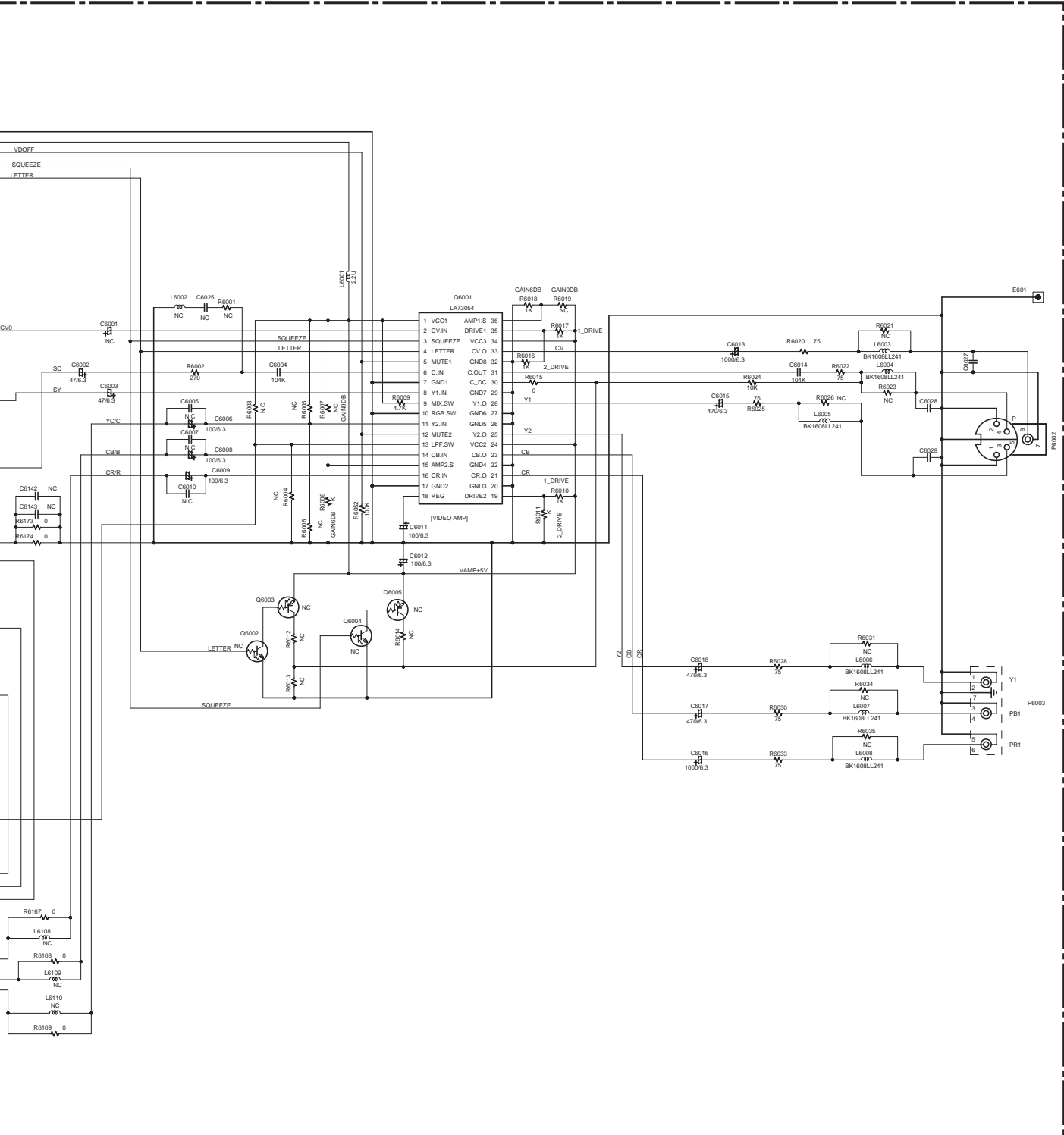
FOR CONTINUED PROTECTION AGAINST FIRE HAZARD, REPLACE ONLY WITH FUSE OF SAME TYPE AND RATING INDICATED.

ATTENTION

PERMANENTE CONTRE LES RISQUES D'INCENDIE, REMPLACER UNIQUEMENT PAR UN FUSIBLE DE MEME TYPE ET CALIBRATION COMME INDIQUE.

THIS SYMBOL LOCATED NEAR THE FUSE INDICATES THAT THE FUSE USED IS SLOW OPERATING TYPE FOR CONTINUED PROTECTION AGAINST FIRE HAZARD. REPLACE WITH SAME TYPE FUSE. FOR FUSE RATING REFER TO THE MARKING ADJACENT TO THE SYMBOL.

CE SYMBOLE INDIQUE QUE LE FUSIBLE UTILISE EST E LENT. POUR UNE PROTECTION PERMANENTE CONTRE LES RISQUES D'INCENDIE, REMPLACER UNIQUEMENT PAR UN FUSIBLE DE MEME TYPE. CE D'AVANTER EST INDIQUE LA QU LE PRESENT SYMBOLE EST APOSE.



A

B

C

D

SCHEMATIC DIAGRAMS-11

1

2

3

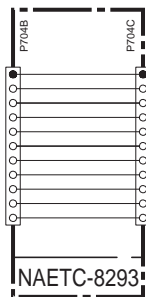
4

5

U12

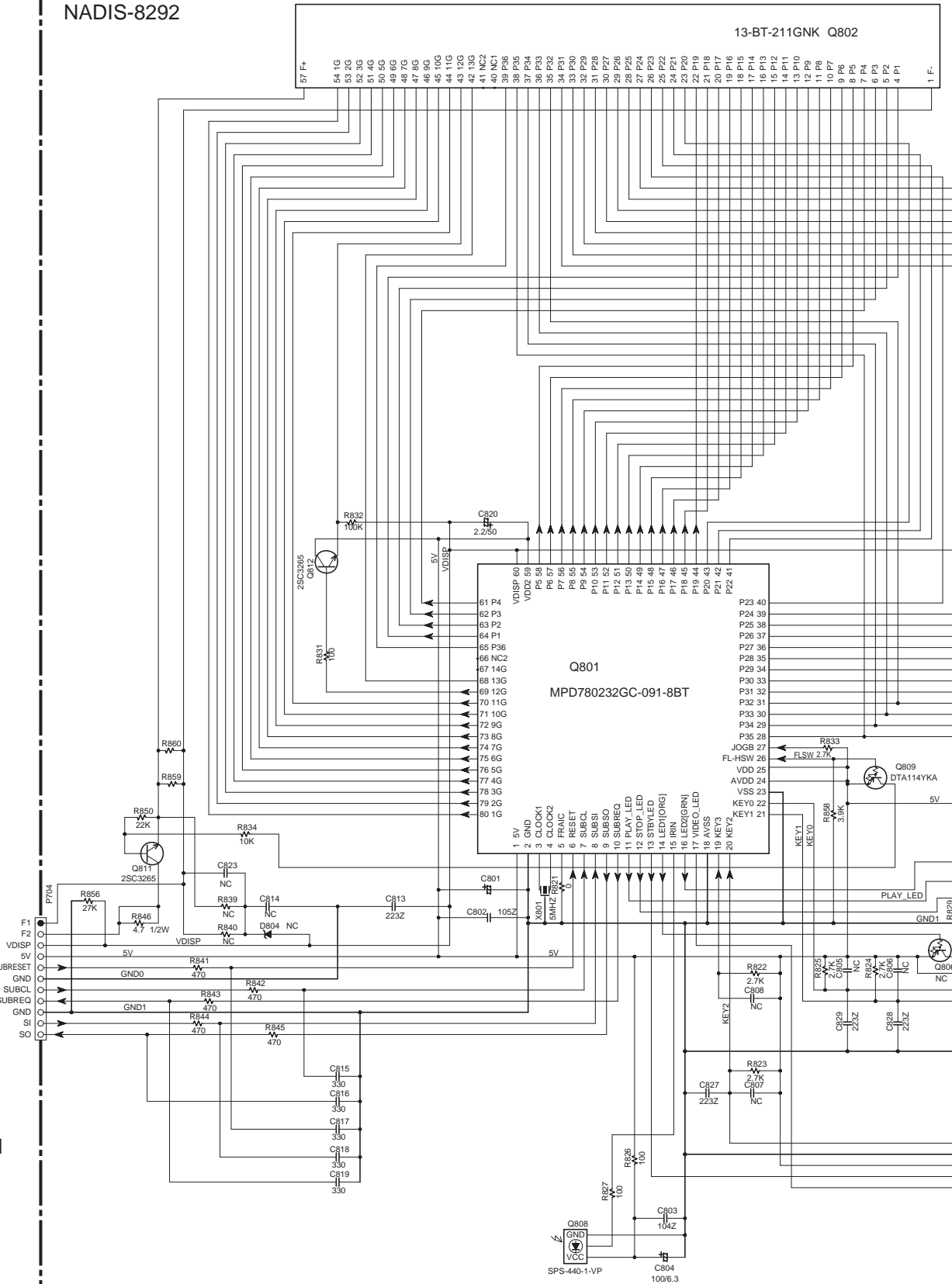
FRONT DISPLAY PC BOARD
NADIS-8292

13-BT-211GNK Q802



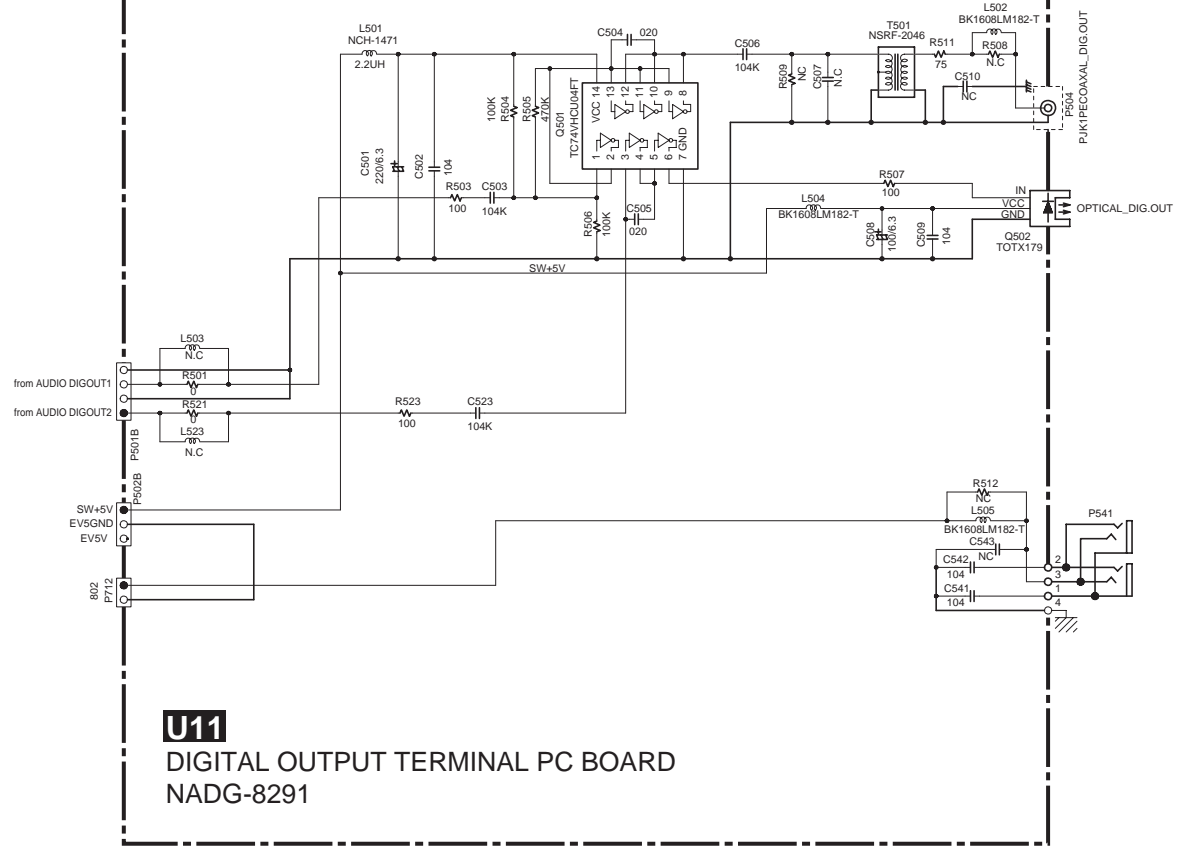
U13

CONNECTION
PC BOARD
NAETC-8293

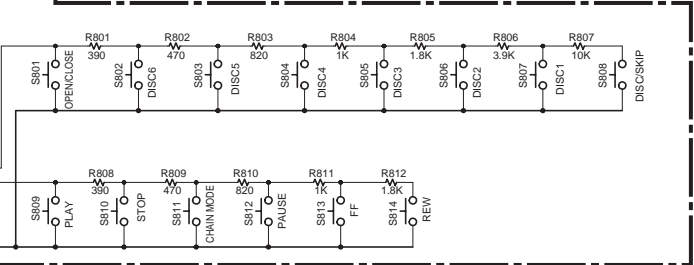
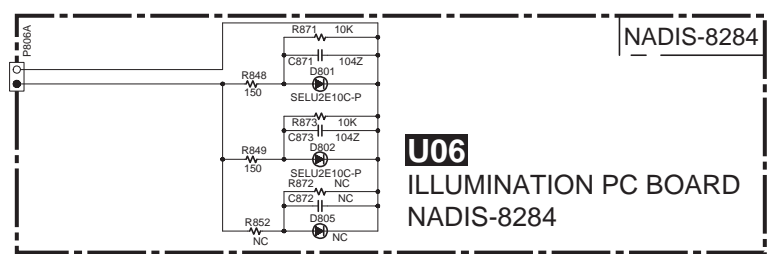


NADIS-8292

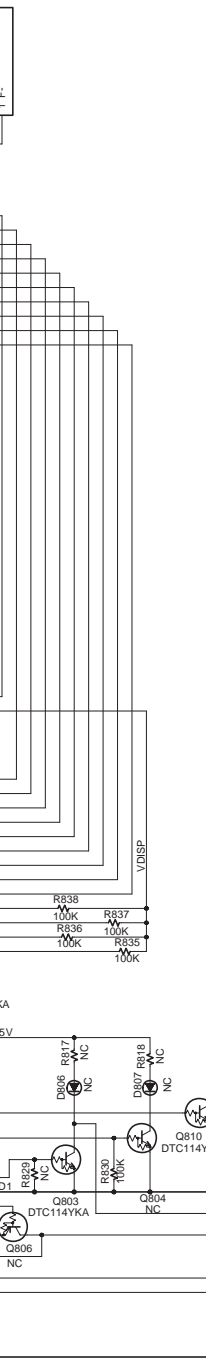
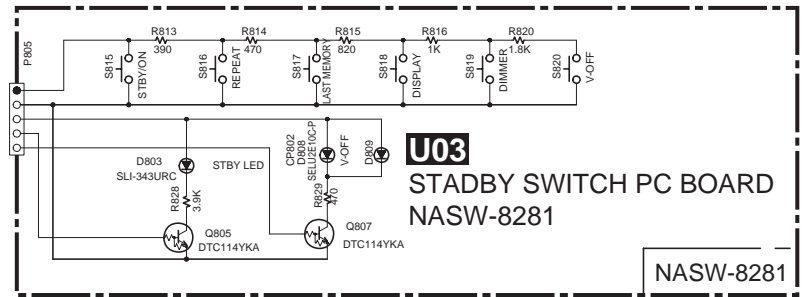
NADG-8291



NADIS-8284



NASW-8281



SCHEMATIC DIAGRAMS-1 U01 DVD MAIN CIRCUIT PC BOARD-1 NADG-8257

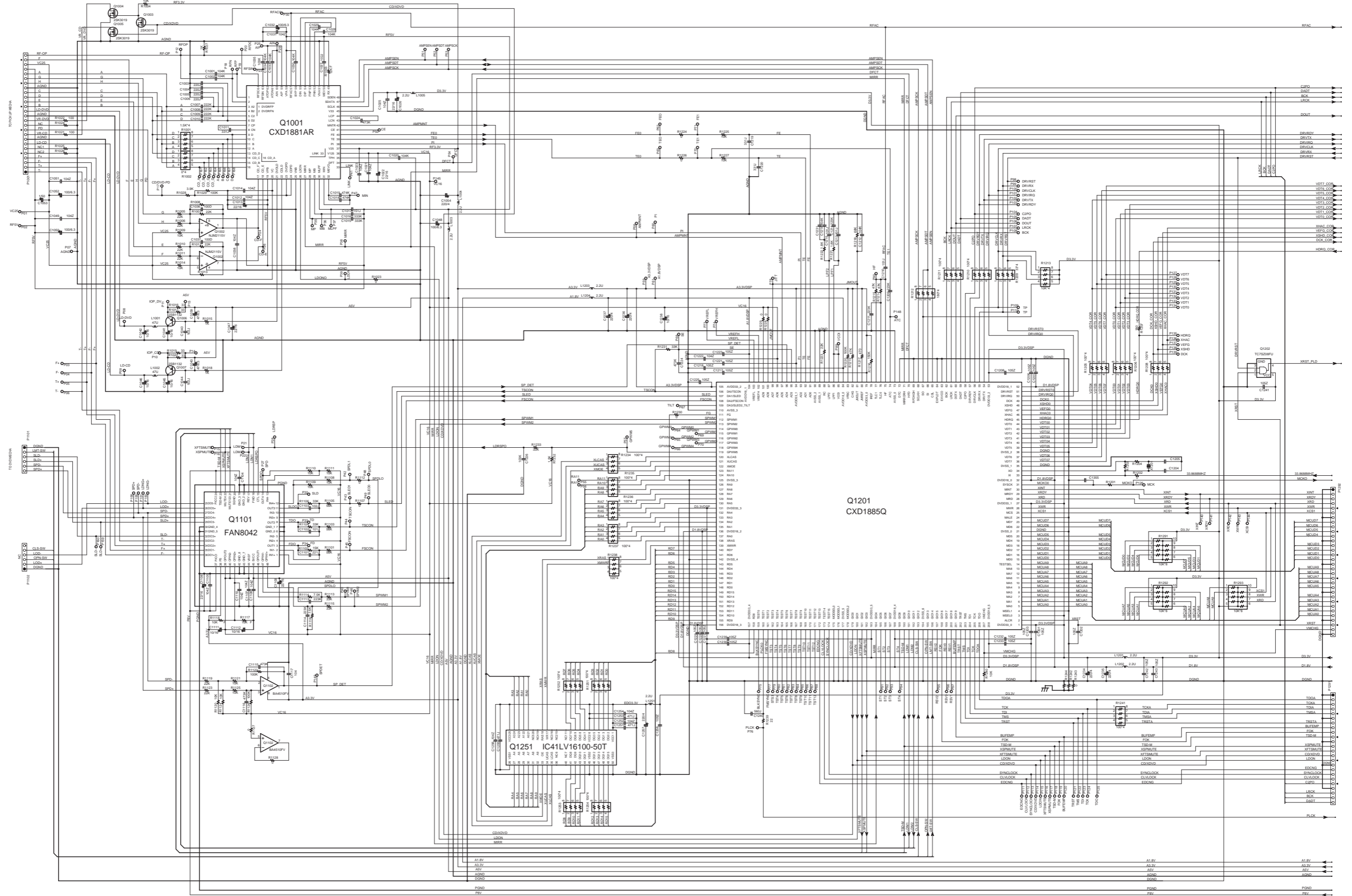
1

2

3

4

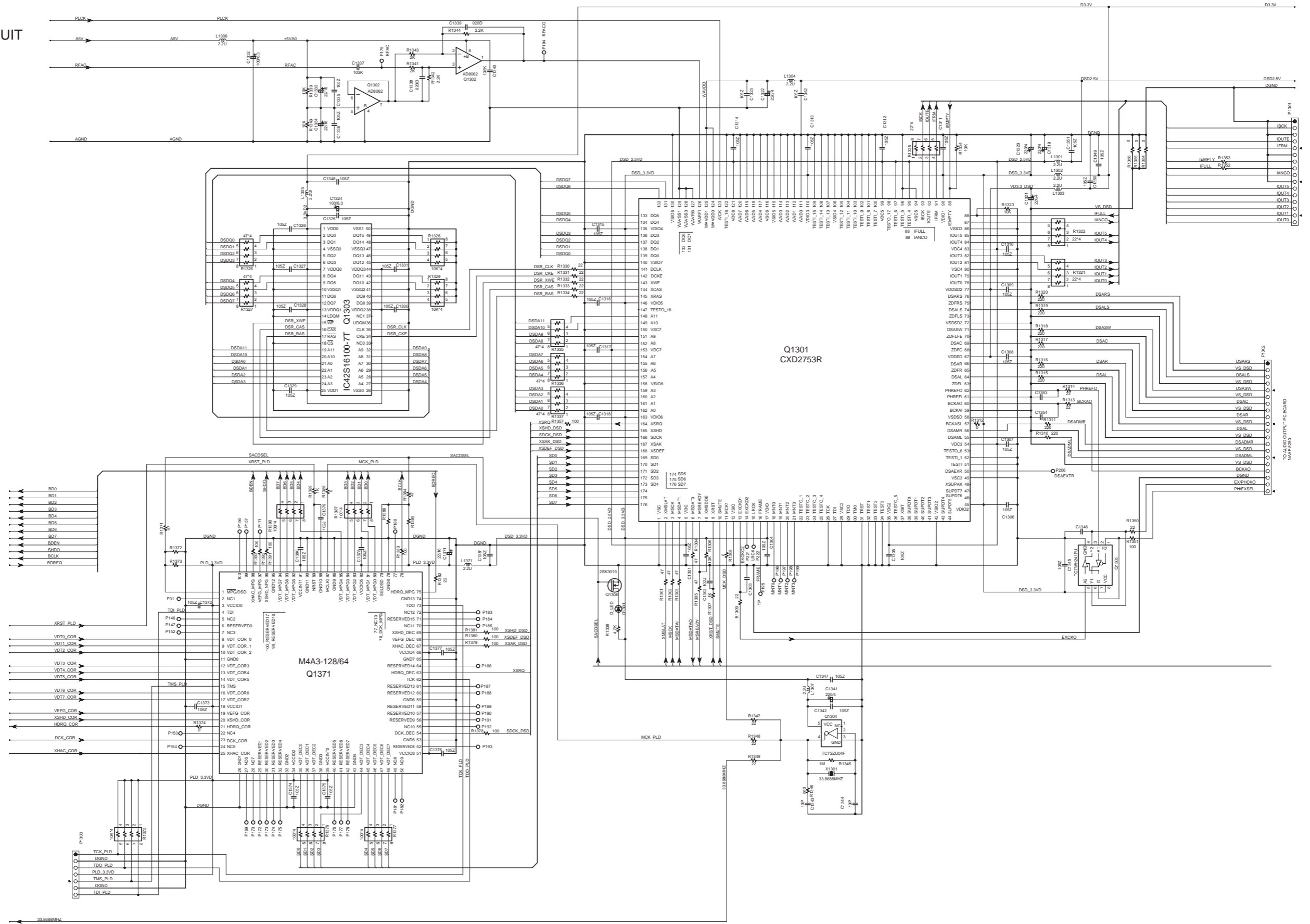
5



A B C D E F G H

SCHEMATIC DIAGRAMS-2

U01
DVD MAIN CIRCUIT
PC BOARD-2
NADG-8257



1

2

3

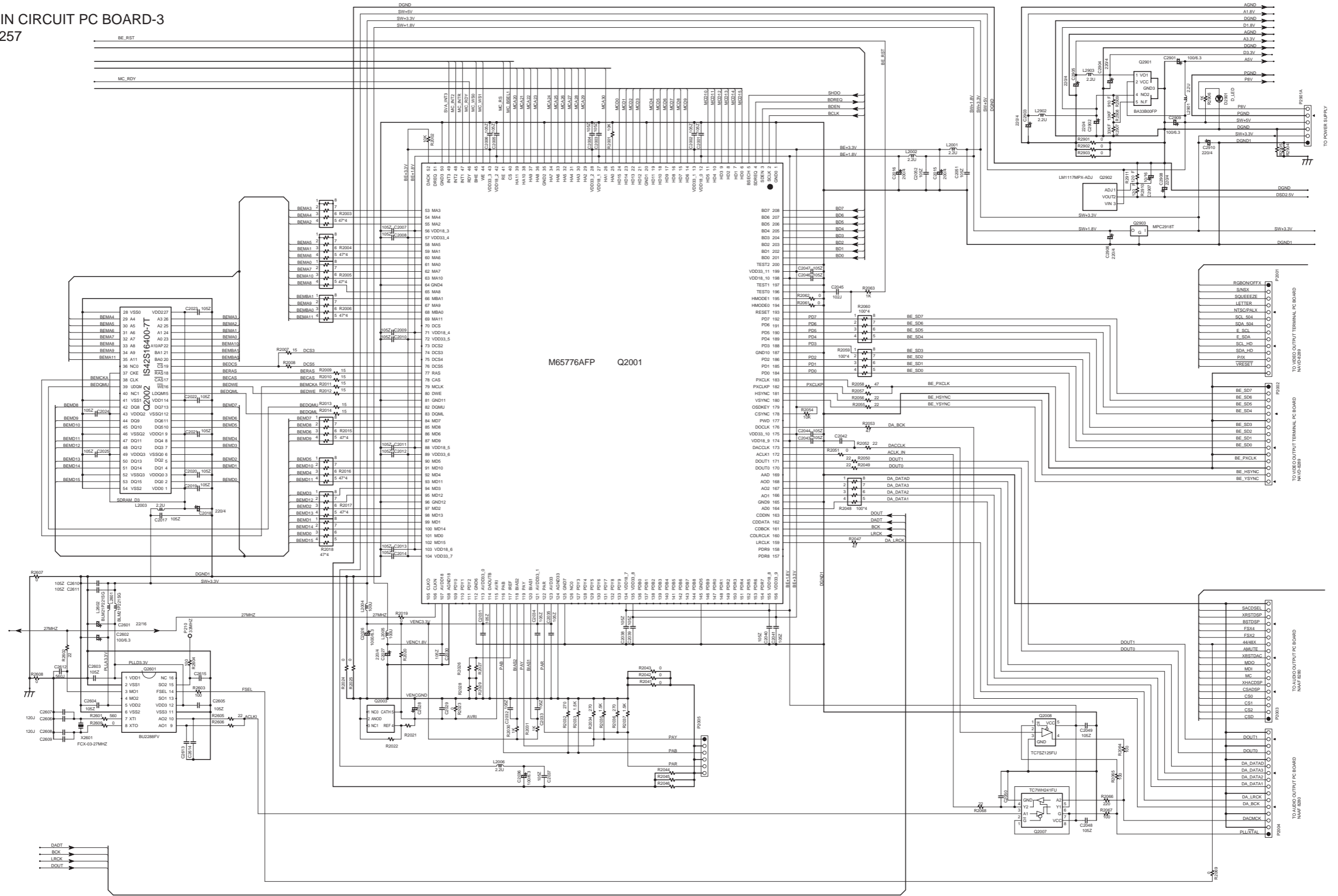
4

5

VIDEO OUTPUT PC BOARD
NADG-8257

SCHEMATIC DIAGRAMS-3

U01
DVD MAIN CIRCUIT PC BOARD-3
NADG-8257



1

2

3

4

5

SCHEMATIC DIAGRAMS-6

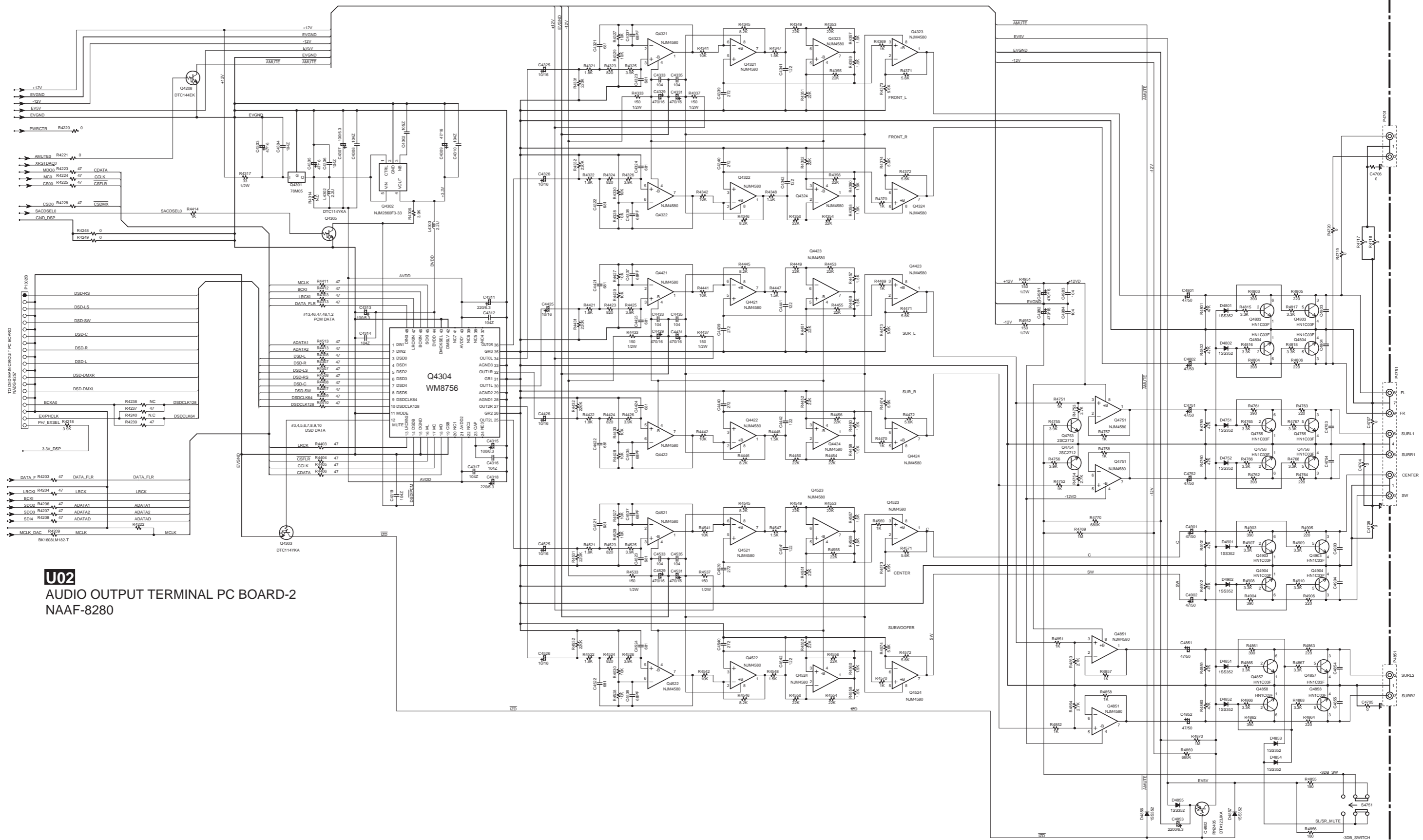
1

2

3

4

5



U02
 AUDIO OUTPUT TERMINAL PC BOARD-2
 NAAF-8280

SCHEMATIC DIAGRAMS-7

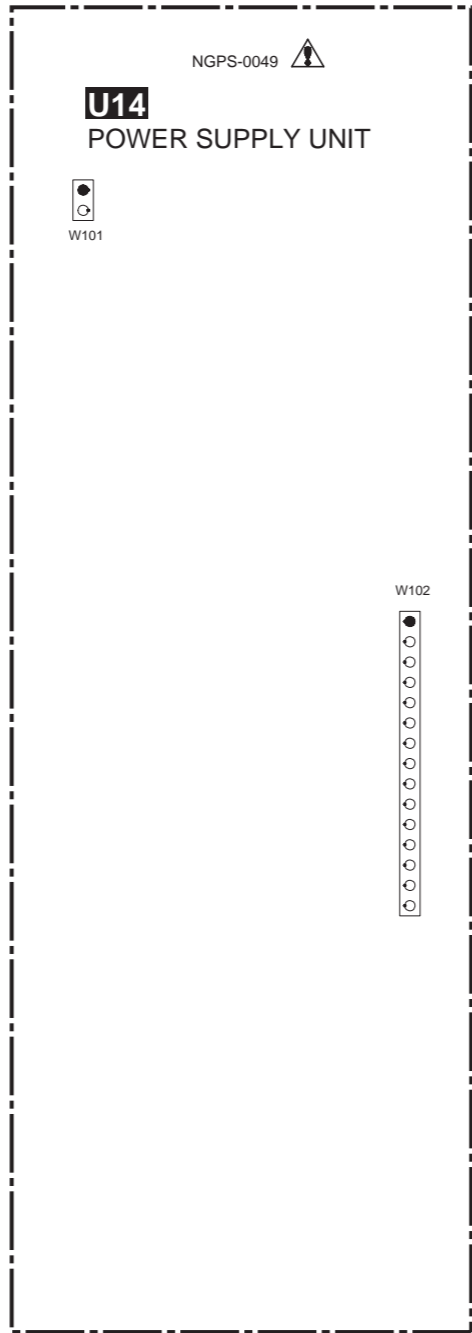
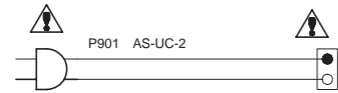
1

2

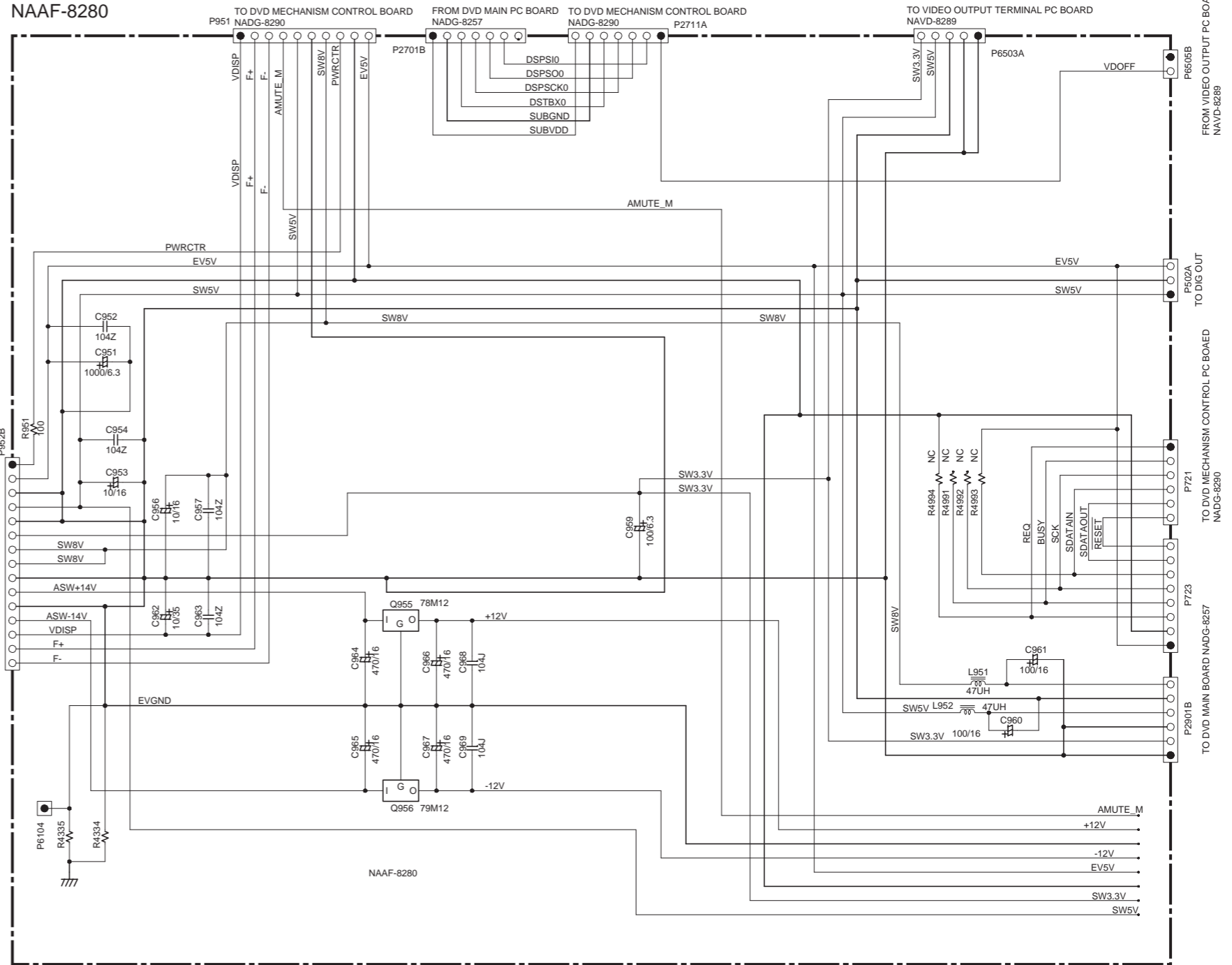
3

4

5



U02
AUDIO OUTPUT TERMINAL PC BOARD-3
NAAF-8280



NOTE

- THE COMPONENTS IDENTIFIED BY MARK ARE CRITICAL FOR SAFETY. REPLACE ONLY WITH PART NUMBER SPECIFIED.
- VOLTAGE (MEASURED WITH VOLTMETER) IS DC VOLTAGE. (NO INPUT SIGNAL)
- ALL PNP TRANSISTORS ARE EQUIVALENT TO 2SA1015-GR UNLESS OTHERWISE NOTED.
- ALL NPN TRANSISTORS ARE EQUIVALENT TO 2SC1815-GR UNLESS OTHERWISE NOTED.
- ALL DIODES ARE EQUIVALENT TO 1SS133 UNLESS OTHERWISE NOTED.
- ELECTROLYTIC CAPACITORS () ARE IN uF/WV.
- ALL CAPACITORS ARE IN pF/50WV UNLESS OTHERWISE NOTED.
EX) 030+3pF 330+33pF 331+330pF 333+0.033uF
- ALL RESISTORS ARE IN OHMS 1/4WATTS UNLESS OTHERWISE NOTED.
- THE THICK LINES ON PC BOARD ARE THE PRINTING SIDE OF THE PARTS.
EX) PRINTING SIDE
- CIRCUIT IS SUBJECT TO CHANGE FOR IMPROVEMENT.

CAUTION

FOR CONTINUED PROTECTION AGAINST FIRE HAZARD, REPLACE ONLY WITH FUSE OF SAME TYPE AND RATING INDICATED.

ATTENTION

AFIN D'ASSURER UNE PROTECTION PERMANENTE CONTRE LES RISQUES D'INCENDIE, REMPLACER UNIQUEMENT PAR UN FUSIBLE DE MEME TYPE ET CALIBRATION COMME INDIQUE.



THIS SYMBOL LOCATED NEAR THE FUSE INDICATES THAT THE FUSE USED IS SLOW OPERATING TYPE FOR CONTINUED PROTECTION AGAINST FIRE HAZARD. REPLACE WITH SAME TYPE FUSE. FOR FUSE RATING REFER TO THE MARKING ADJACENT TO THE SYMBOL.



CE SYMBOLE INDIQUE QUE LE FUSIBLE UTILISE EST E LENT. POUR UNE PROTECTION PERMANENTE, UTILISER QUE DES FUSIBLES DE MEME TYPE. CE DERNIER EST INDIQUE LA QU LE PRESENT SYMBOLE EST APPOSE.

A B C D E F G H

SCHEMATIC DIAGRAMS-8

U14
POWER SUPPLY UNIT
NGPS-0049

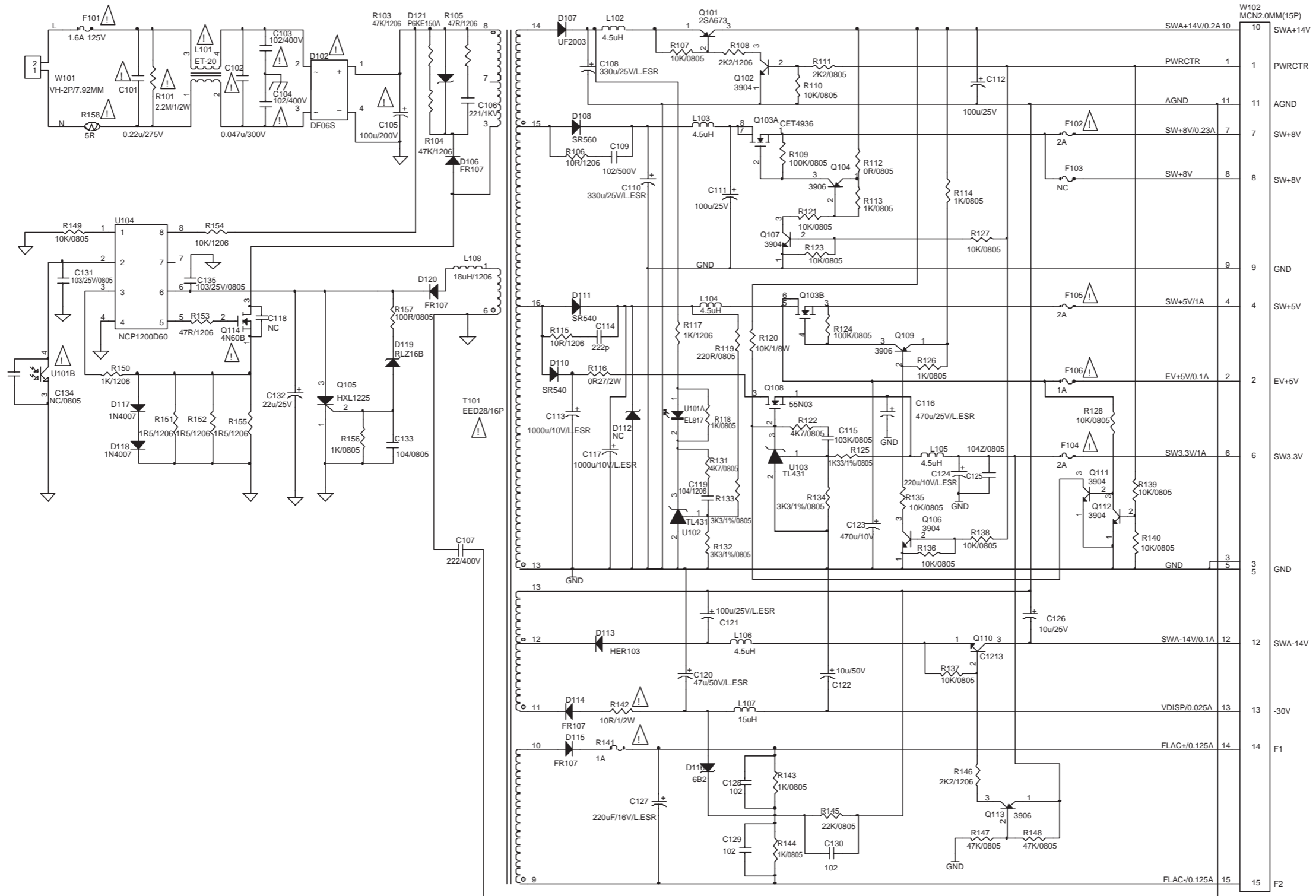
1

2

3

4

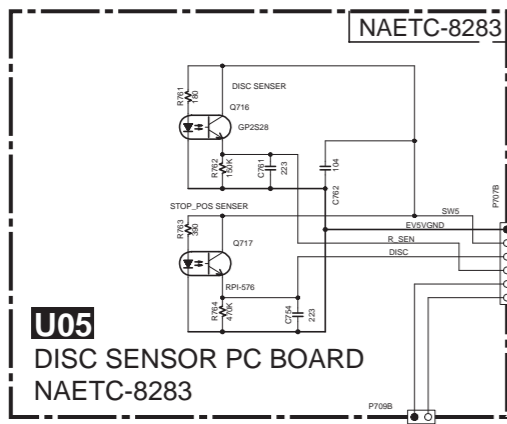
5



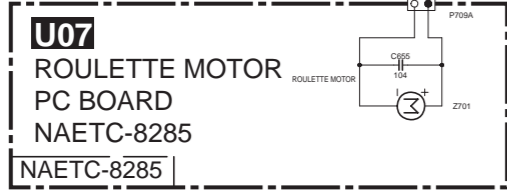
A B C D E F G H

SCHEMATIC DIAGRAMS-9

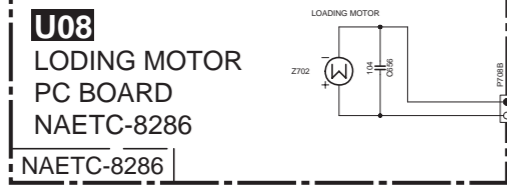
1



2

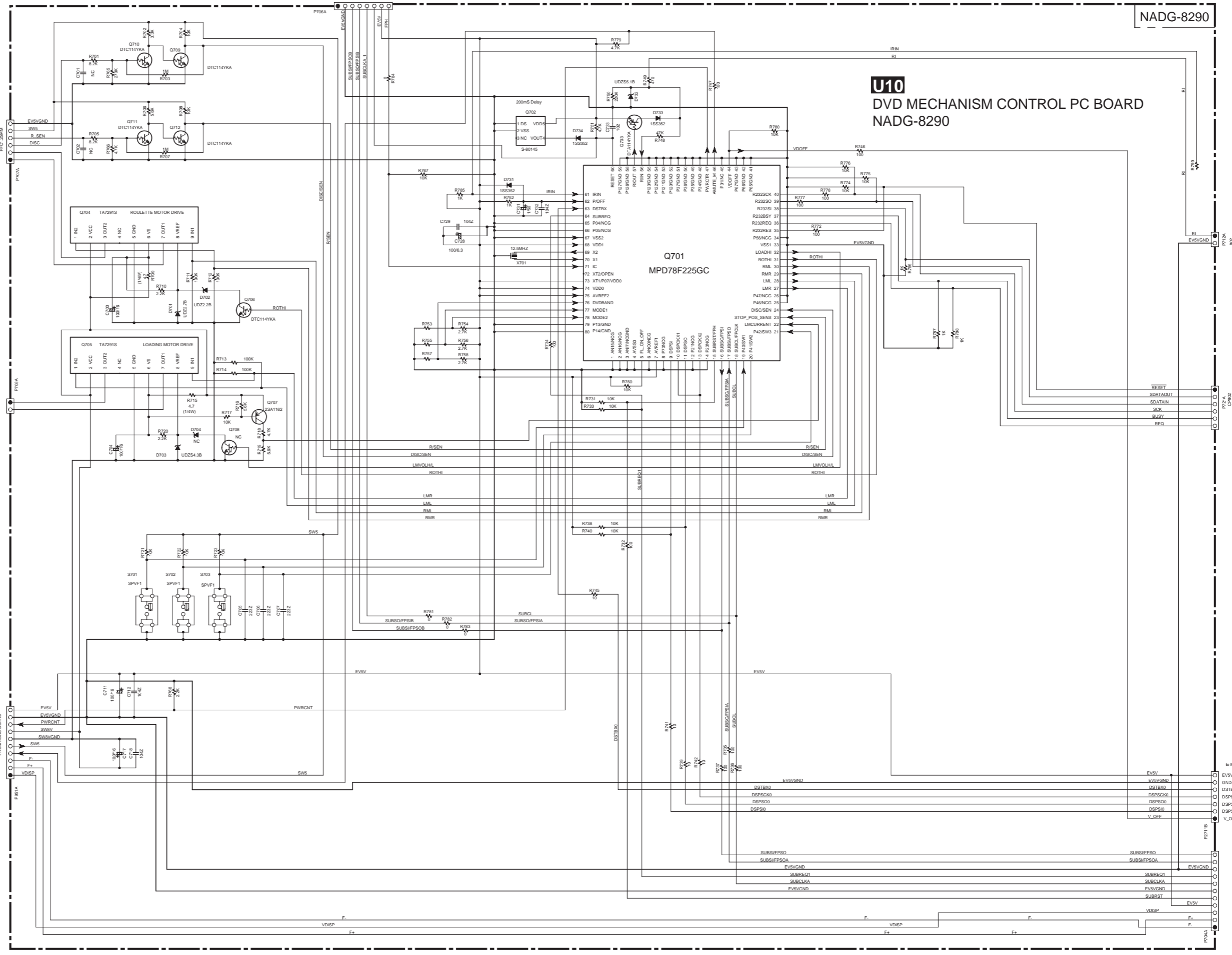


3



4

5



A B C D E F G H

SCHEMATIC DIAGRAMS-10

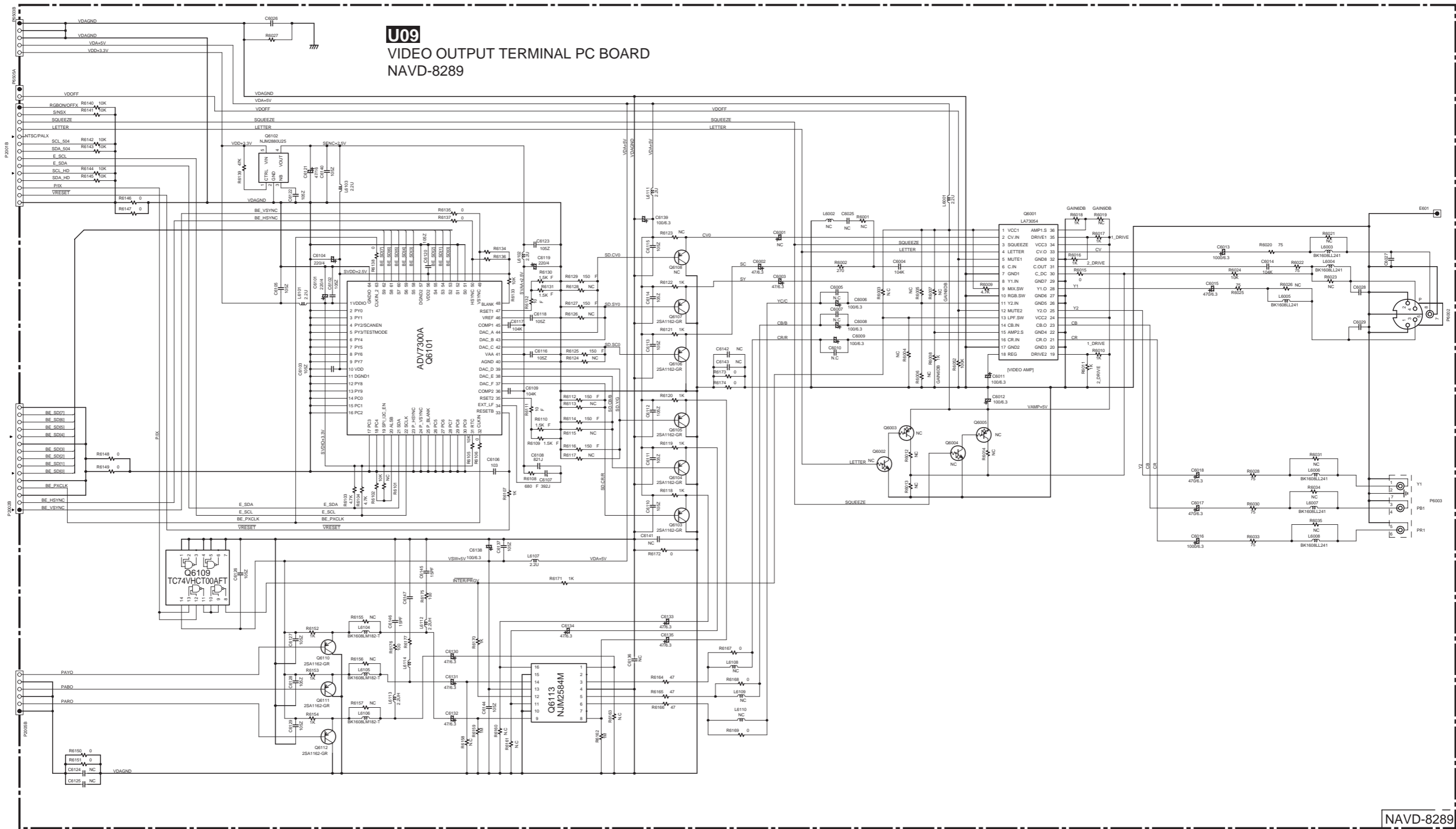
1

2

3

4

5



NAVD-8289

NOTE

- THE COMPONENTS IDENTIFIED BY MARK ARE CRITICAL FOR SAFETY. REPLACE ONLY WITH PART NUMBER SPECIFIED.
- VOLTAGE (MEASURED WITH VOLTMETER) IS DC VOLTAGE, (NO INPUT SIGNAL).
- ALL PNP TRANSISTORS ARE EQUIVALENT TO 2SA1015-GR UNLESS OTHERWISE NOTED.
- ALL NPN TRANSISTORS ARE EQUIVALENT TO 2SC1815-GR UNLESS OTHERWISE NOTED.
- ALL DIODES ARE EQUIVALENT TO 1SS133 UNLESS OTHERWISE NOTED.
- ELECTROLYTIC CAPACITORS ARE IN μ F/VV.
- ALL CAPACITORS ARE IN pF/50V UNLESS OTHERWISE NOTED. EX) 030-3pF 330-33pF 331-333pF 333-0.033uF
- ALL RESISTORS ARE IN OHMS 1/4WATTS UNLESS OTHERWISE NOTED.
- THE THICK LINES ON PC BOARD ARE THE PRINTING SIDE OF THE PARTS. EX) PRINTING SIDE
- CIRCUIT IS SUBJECT TO CHANGE FOR IMPROVEMENT.

CAUTION

FOR CONTINUED PROTECTION AGAINST FIRE HAZARD, REPLACE ONLY WITH FUSE OF SAME TYPE AND RATED INDICATED.

ATTENTION

AFIN D'ASSURER UNE PROTECTION PERMANENTE CONTRE LES RISQUES D'INCENDIE, REMPLACER UNIQUEMENT PAR UN FUSIBLE DE MEME TYPE ET CALIBRATION COMME INDIQUE.

THIS SYMBOL, LOCATED NEAR THE FUSE INDICATES THAT THE FUSE USED IS SLOW OPERATING TYPE FOR CONTINUED PROTECTION AGAINST FIRE HAZARD. REPLACE WITH SAME TYPE FUSE. FOR FUSE RATING REFER TO THE MARKING ADJACENT TO THE SYMBOL.

CE SYMBOLE INDIQUE QUE LE FUSIBLE UTILISE EST E LENT. POUR UNE PROTECTION PERMANENTE UTILISER QUE DES FUSIBLES DE MEME TYPE. CE DERNIER EST INDIQUE LA OU LE PRESENT SYMBOLE EST APPOSE.

SCHEMATIC DIAGRAMS-11

1

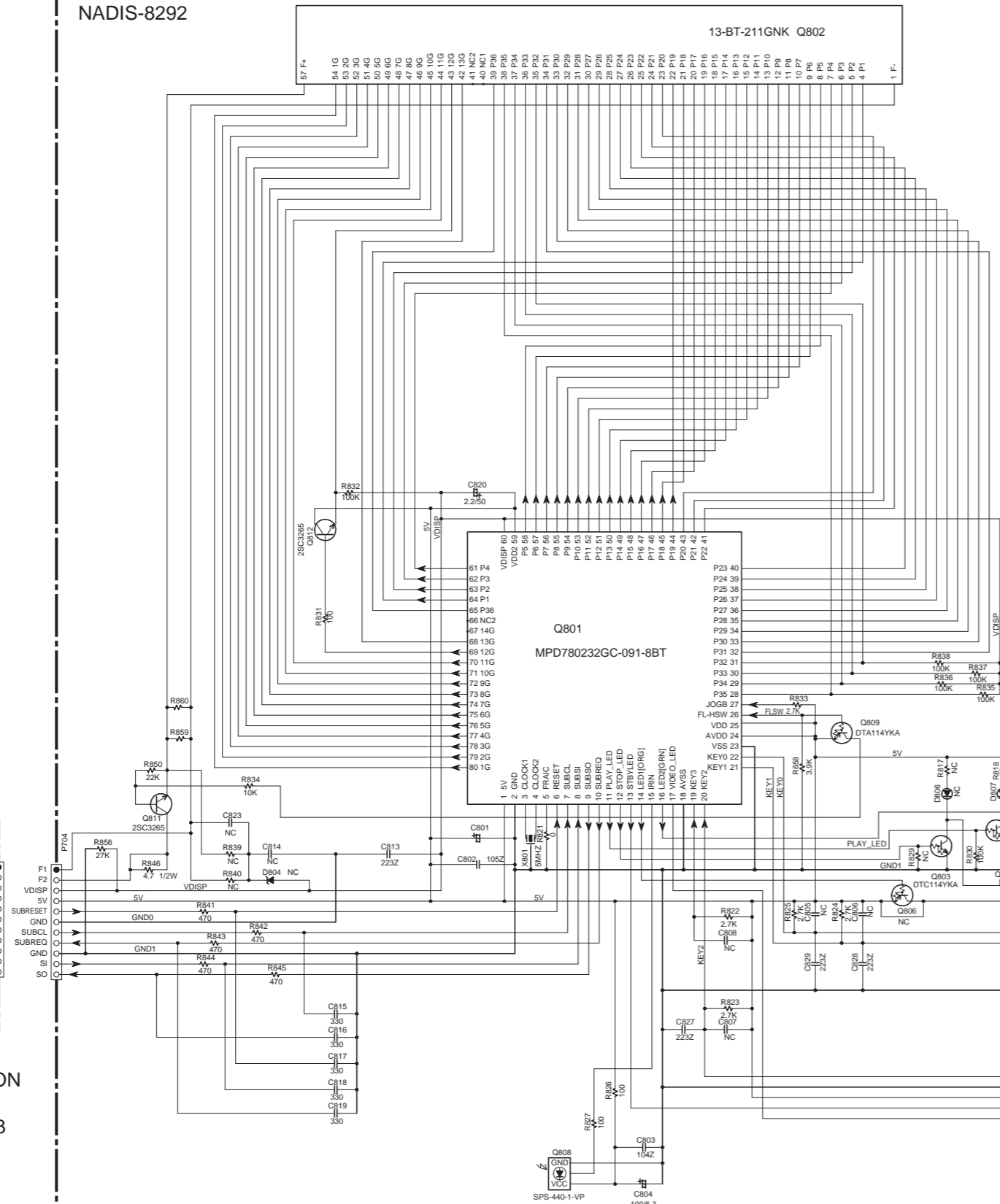
2

3

4

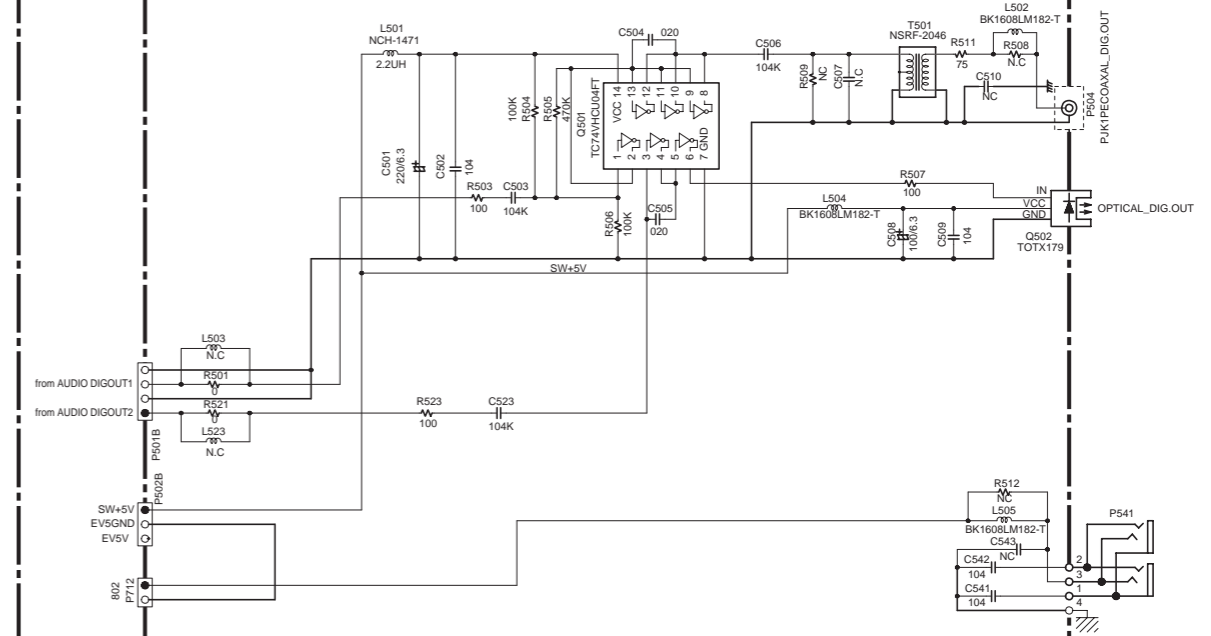
5

U12
FRONT DISPLAY PC BOARD
NADIS-8292

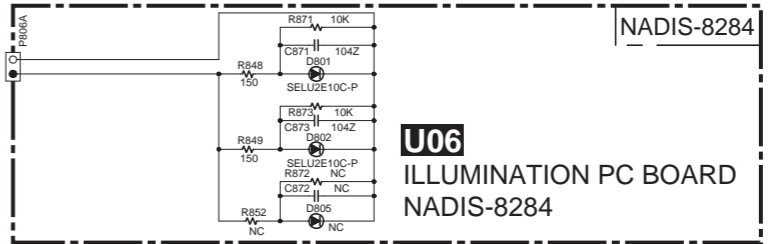


NADIS-8292

NADG-8291

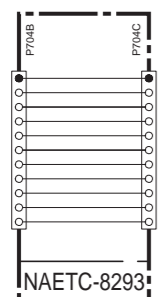


U11
DIGITAL OUTPUT TERMINAL PC BOARD
NADG-8291

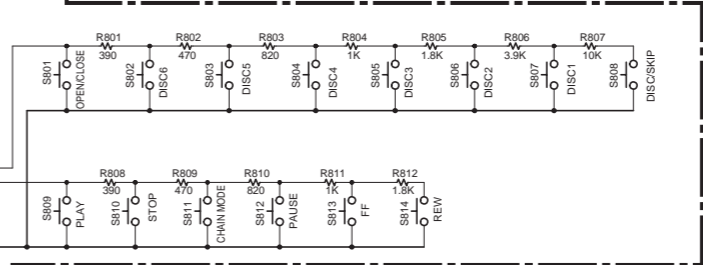


U06
ILLUMINATION PC BOARD
NADIS-8284

NADIS-8284



U13
CONNECTION
PC BOARD
NAETC-8293

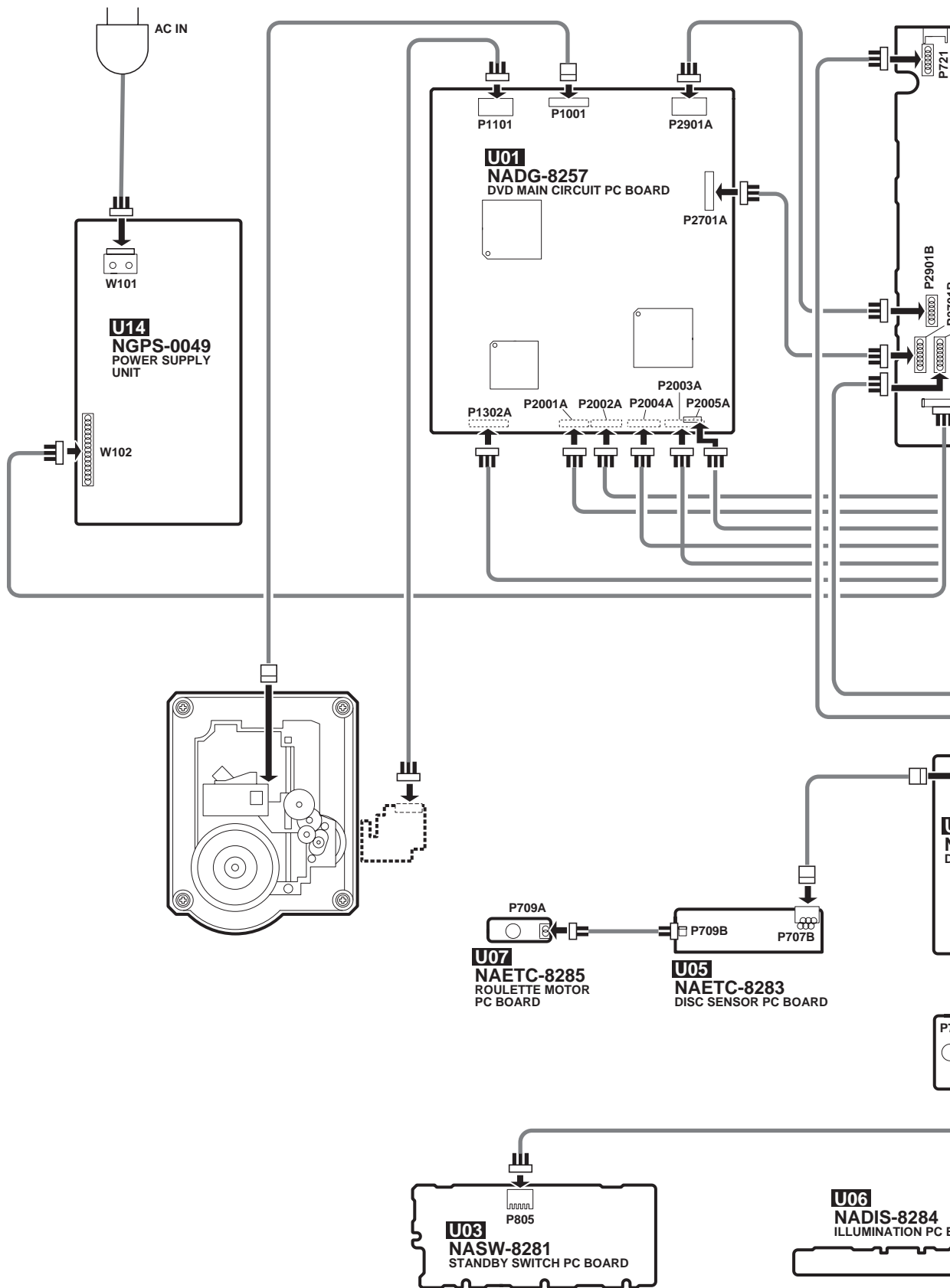


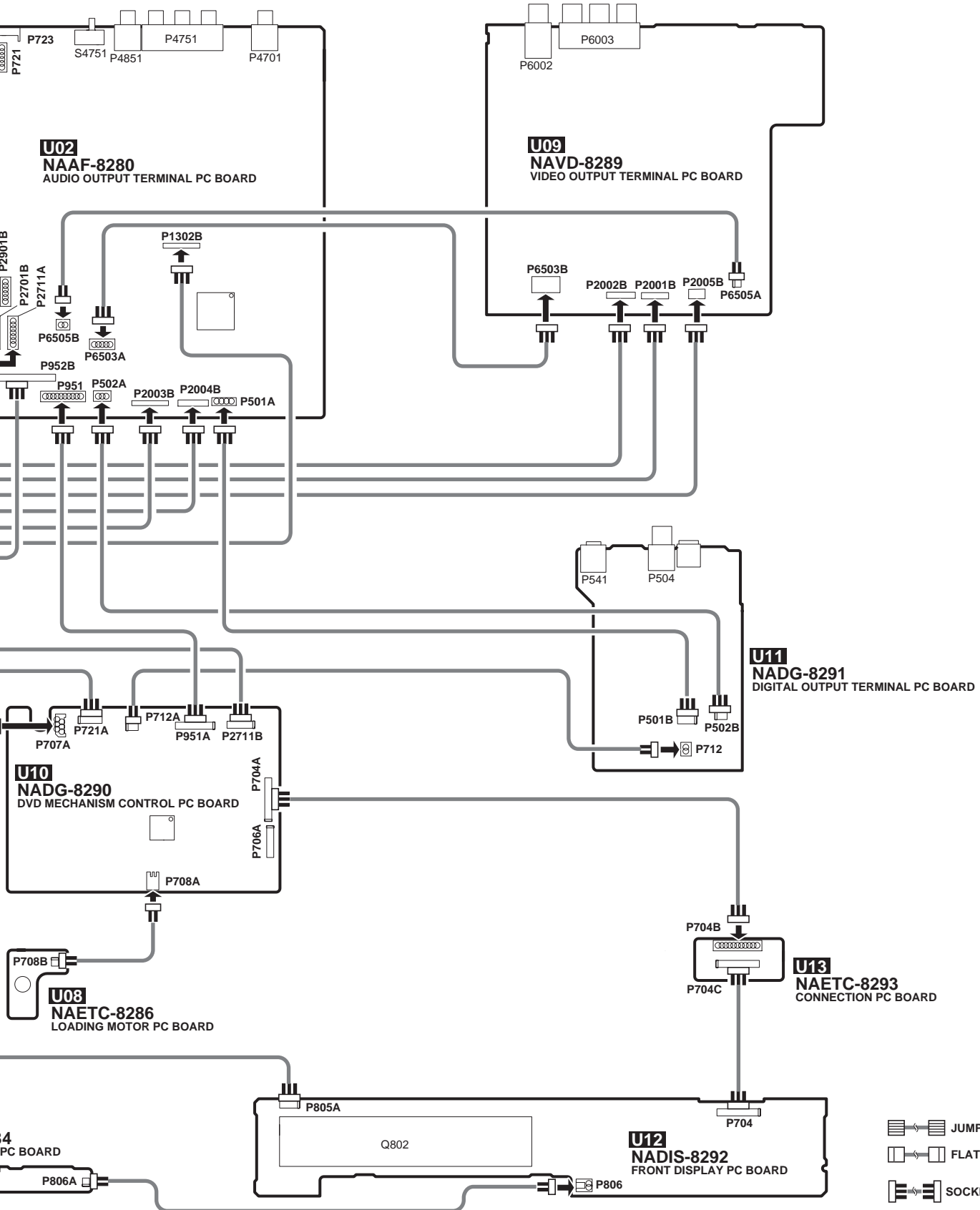
U03
STADBY SWITCH PC BOARD
NASW-8281





NASW-8281

NAETC-8293

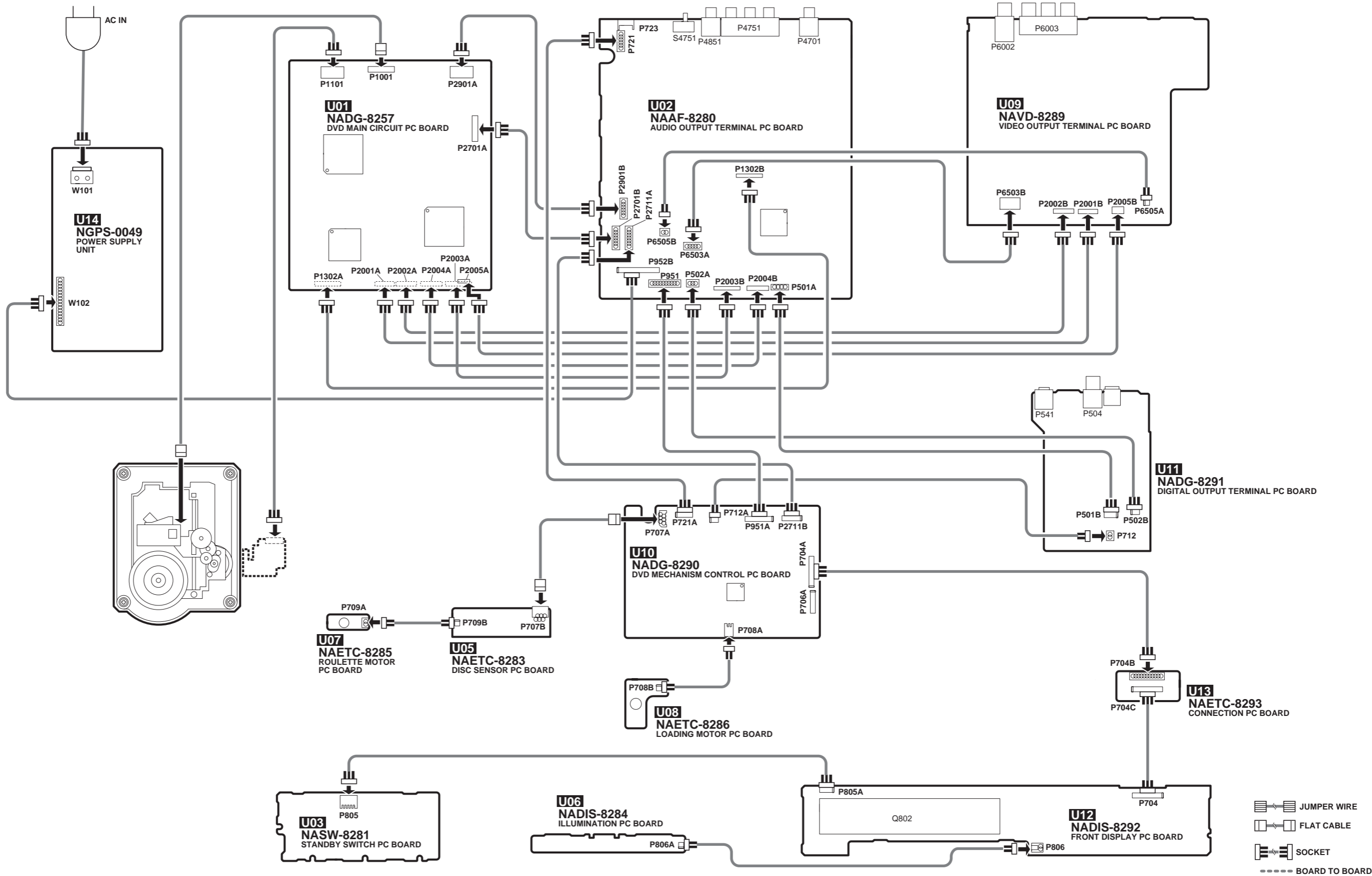
PC BOARD CONNECTION DIAGRAM





-  JUMPER WIRE
-  FLAT CABLE
-  SOCKET
-  BOARD TO BOARD

PC BOARD CONNECTION DIAGRAM



A

B

C

D

PRINTED CIRCUIT BOARD VIEWS-1

U01 DVD MAIN CIRCUIT PC BOARD (NADG-8257)

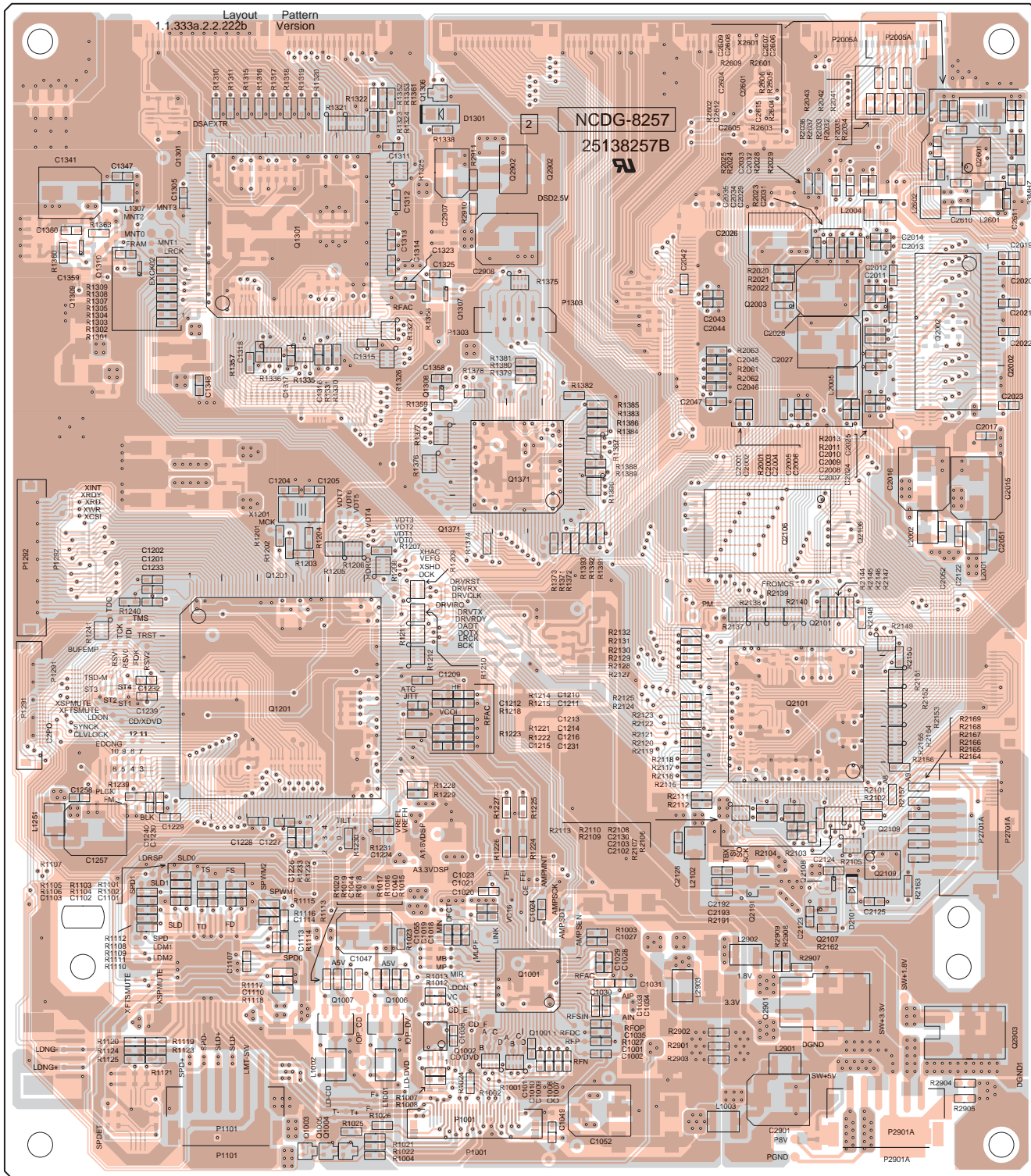
1

2

3

4

5



A

B

C

D

PRINTED CIRCUIT BOARD VIEWS-2

U01 DVD MAIN CIRCUIT PC BOARD (NADG-8257)

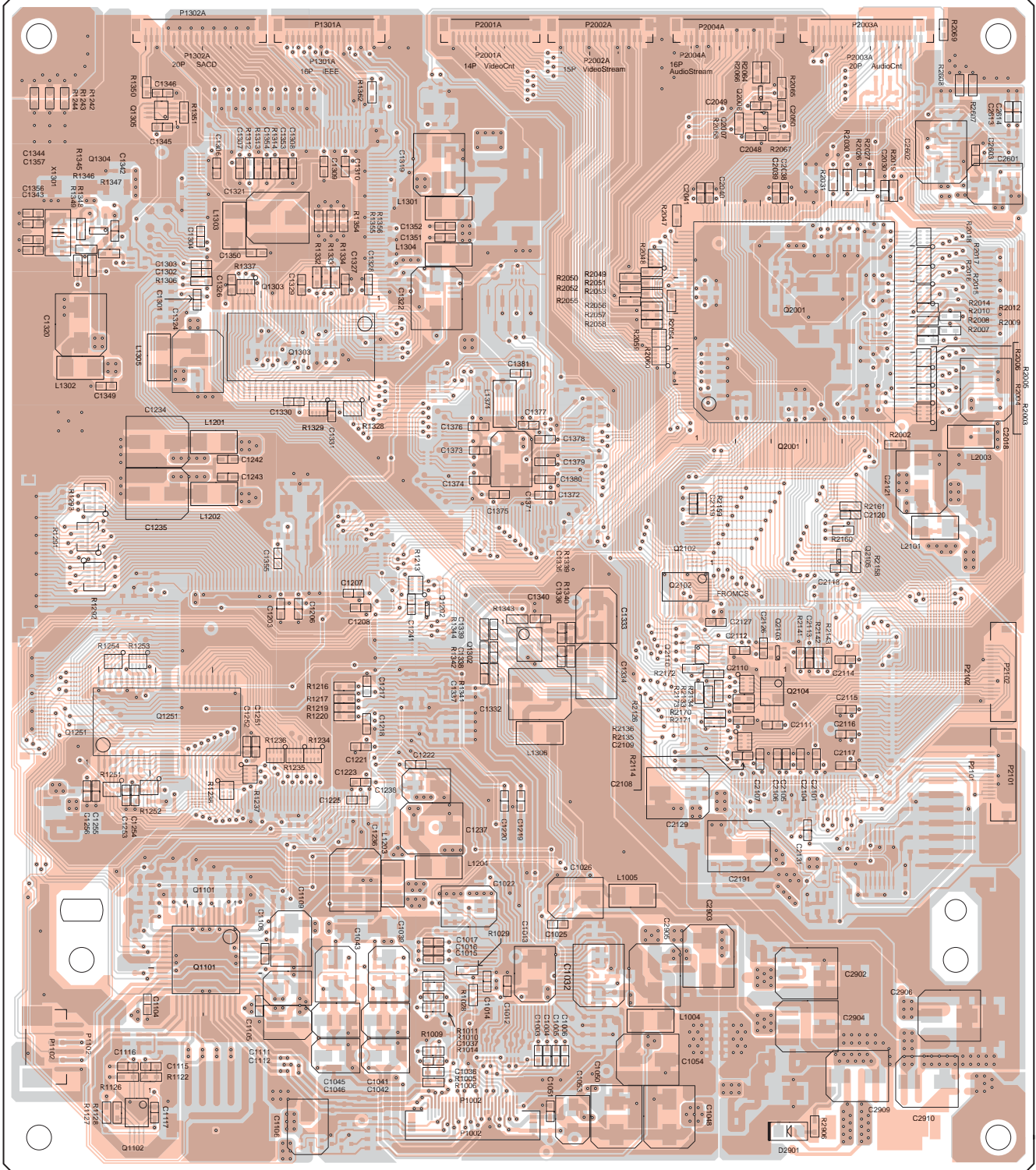
1

2

3

4

5



Orange : side B pattern
Grey : side A pattern

A

B

C

D

PRINTED CIRCUIT BOARD VIEWS-3

U02 AUDIO OUTPUT TERMINAL PC BOARD (NAAF-8280)

1

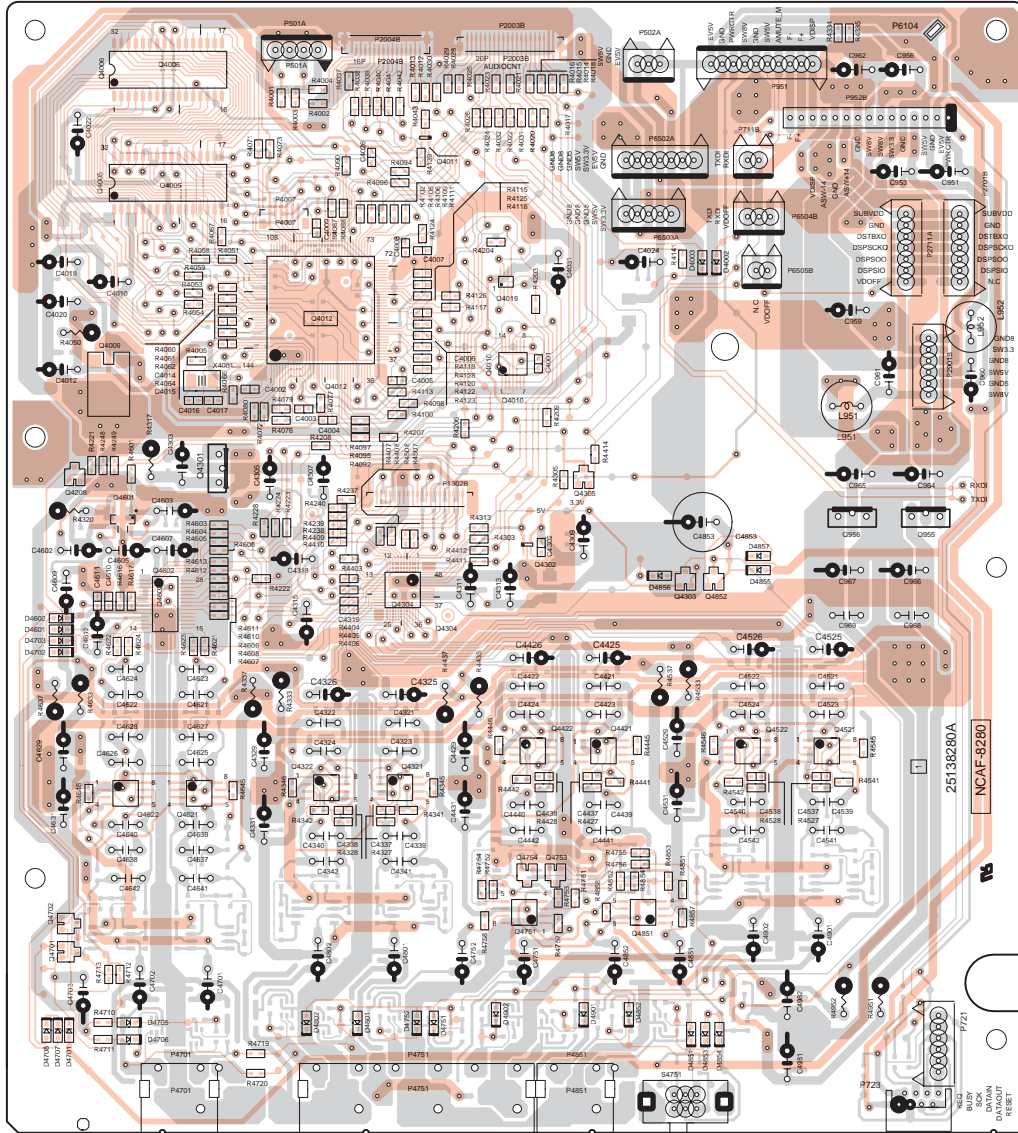
Both side seen from component side

2

3

4

5



A

B

C

D

PRINTED CIRCUIT BOARD VIEWS-4

U02 AUDIO OUTPUT TERMINAL PC BOARD (NAAF-8280)

1

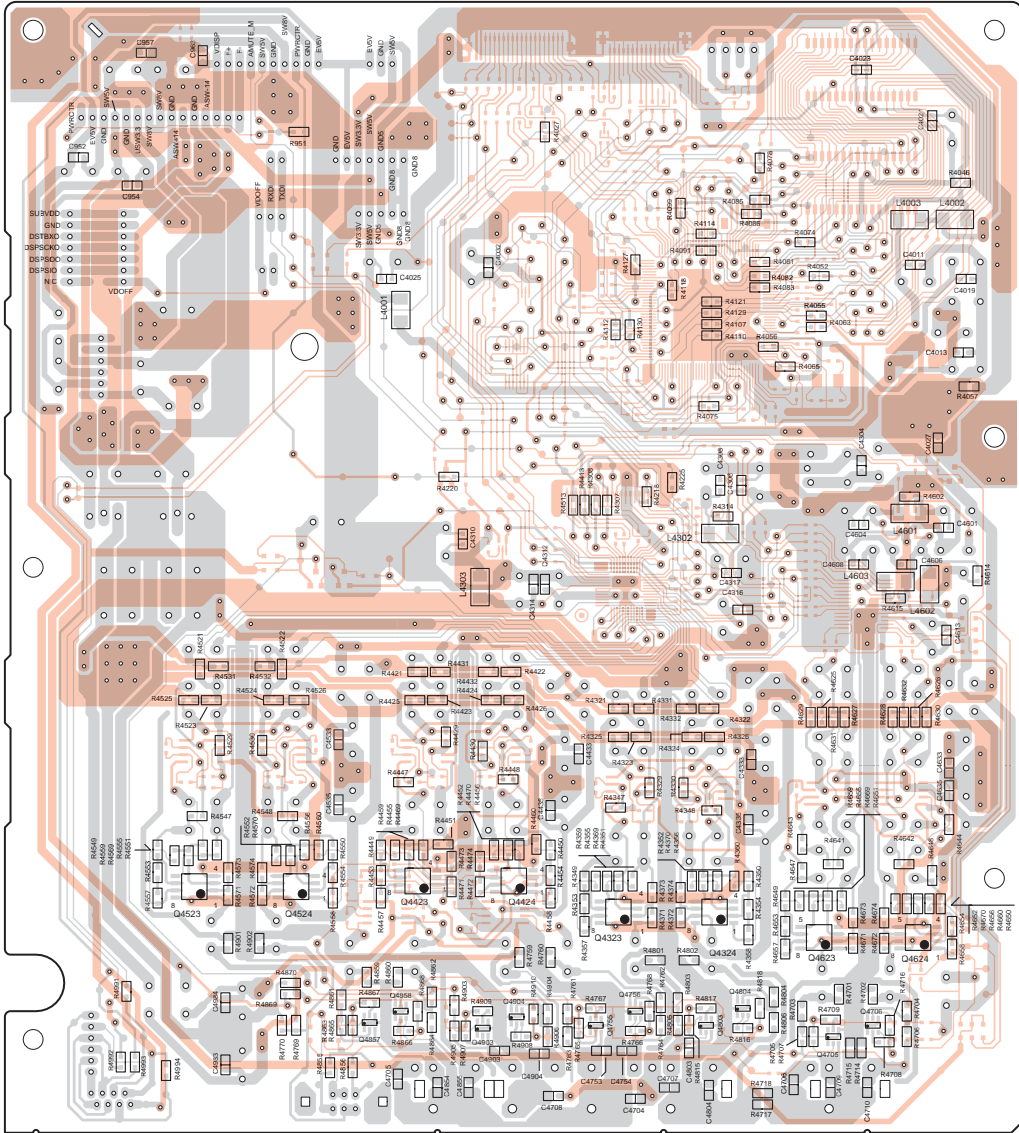
Both side seen from reverse side

2

3

4

5



A

B

C

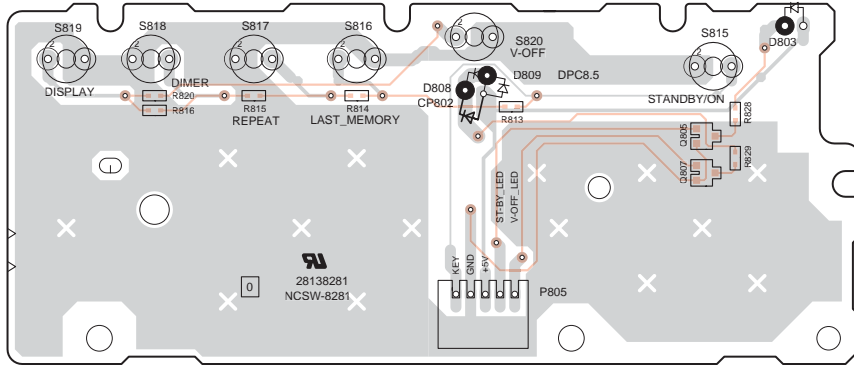
D

PRINTED CIRCUIT BOARD VIEWS-5

U03 STAND BY SWITCH PC BOARD (NASW-8281)

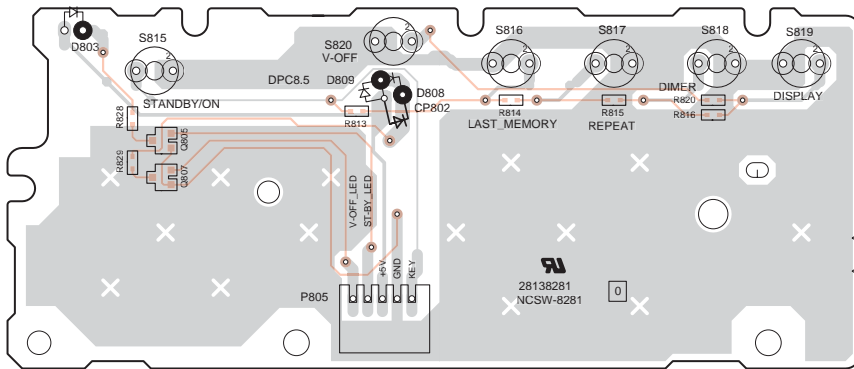
1

Both side seen from component side



2

Both side seen from reverse side

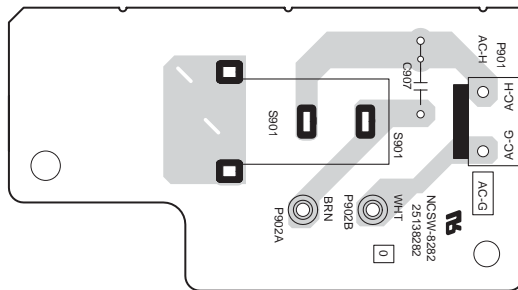


3

U04 POWER SWITCH PC BOARD (NASW-8282)

4

Component side seen from soldering side



5

A

B

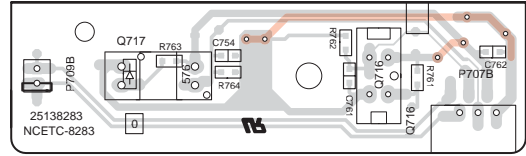
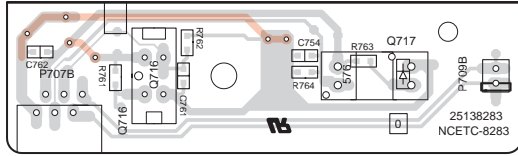
C

D

PRINTED CIRCUIT BOARD VIEWS-6

U05 DISK SENSOR PC BOARD (NAETC-8283)

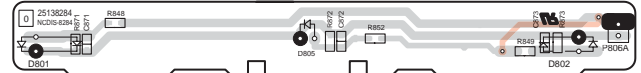
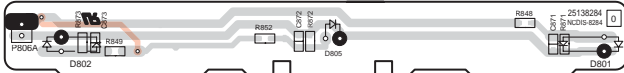
1



— : Side A pattern
 — : Side B pattern

U06 ILLUMINATION PC BOARD (NADIS-8284)

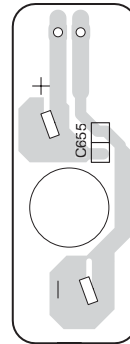
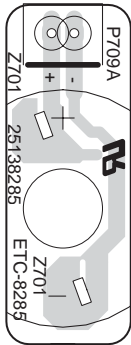
2



— : Side A pattern
 — : Side B pattern

U07 ROULETTE MOTOR PC BOARD (NAETC-8285)

3



4

5

A

B

C

D

PRINTED CIRCUIT BOARD VIEWS-7

U08 LOADING MOTOR PC BOARD (NAETC-8286)

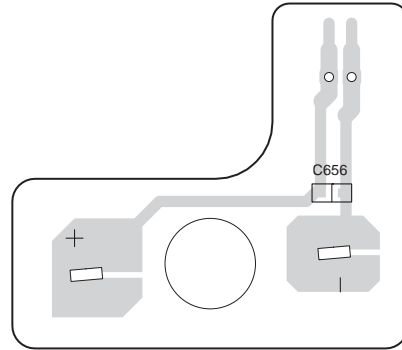
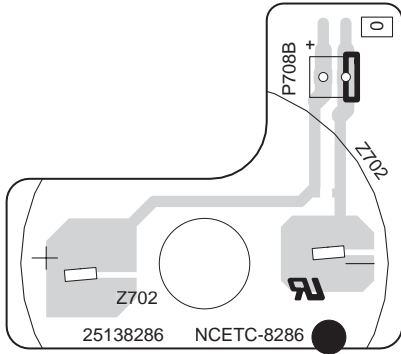
1

2

3

4

5



A

B

C

D

PRINTED CIRCUIT BOARD VIEWS-8

U09 VIDEO OUTPUT TERMINAL PC BOARD (NAVD-8289)

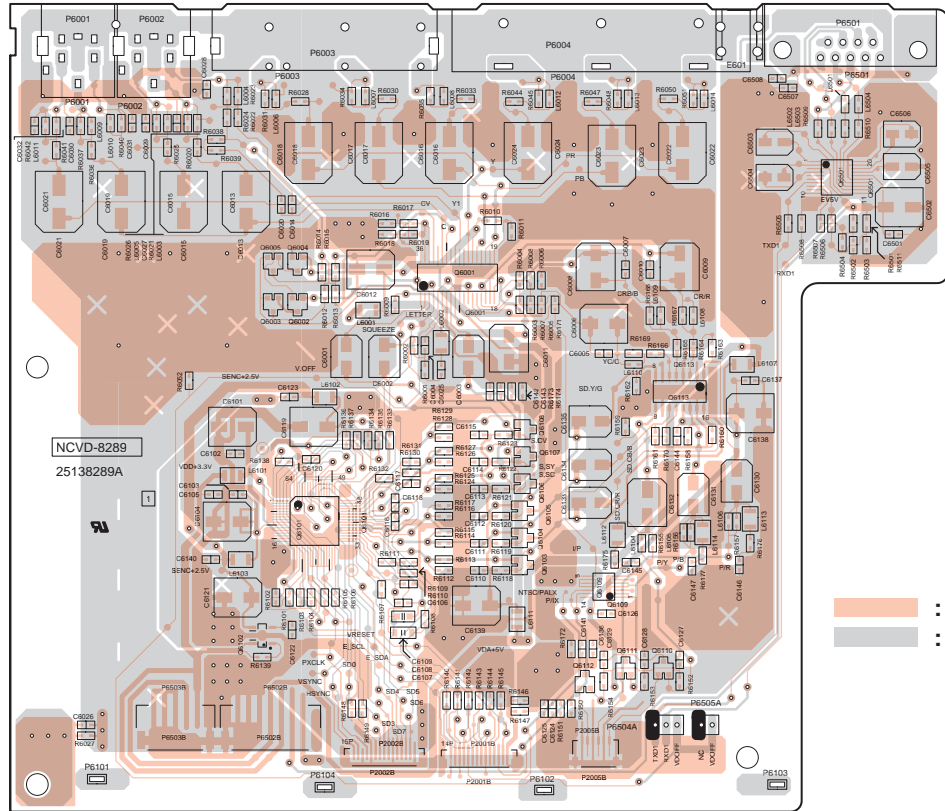
1

2

3

4

5



A

B

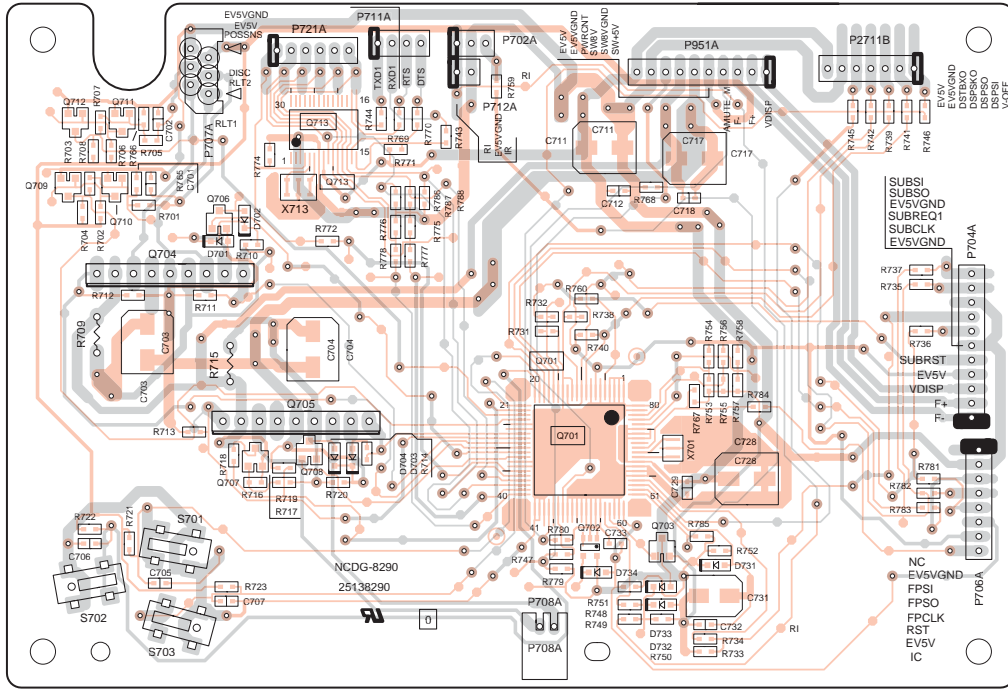
C

D

PRINTED CIRCUIT BOARD VIEWS-9

U10 DVD MACHANISM CONTROL PC BOARD (NADG-8290)

1

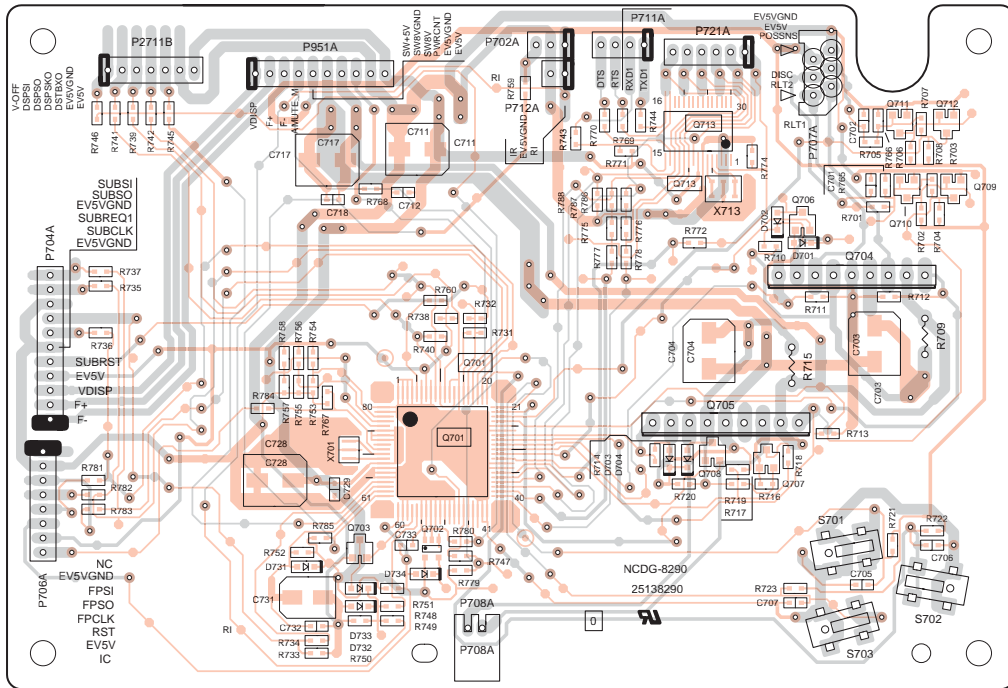


2

3

— : Side A pattern
 — : Side B pattern

4



5

A

B

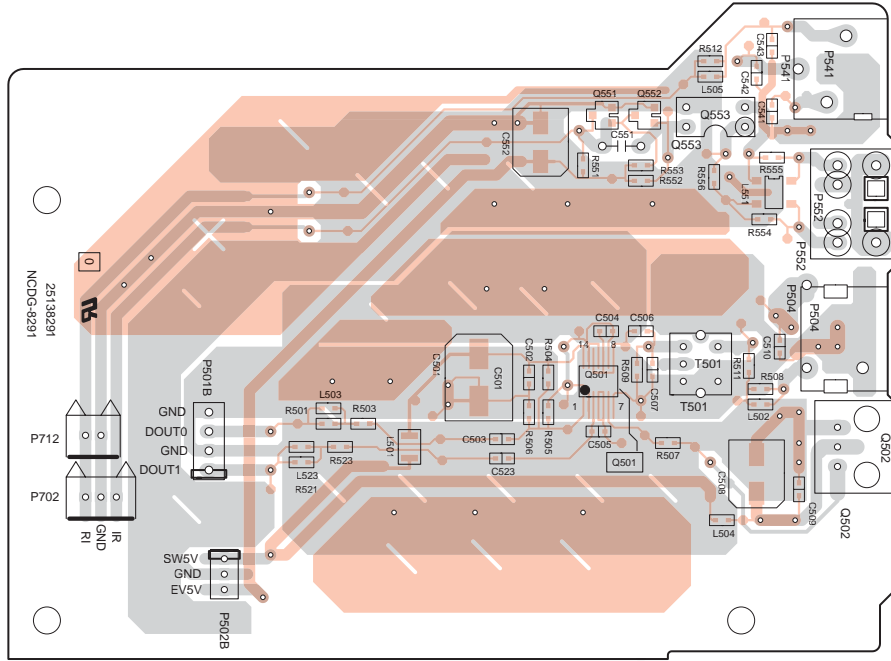
C

D

PRINTED CIRCUIT BOARD VIEWS-10

U11 DIGITAL OUTPUT TEMINAL PC BOARD (NADG-8291)

1

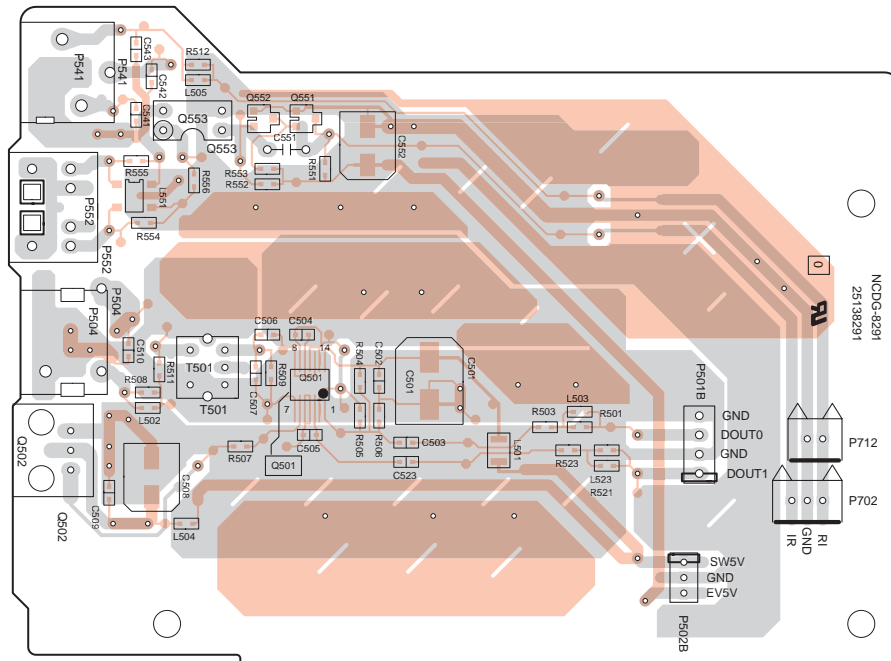


2

3

— : Side A pattern
— : Side B pattern

4



5

A

B

C

D

PRINTED CIRCUIT BOARD VIEWS-11

U12 FRONT DISPLAY PC BOARD (NADIS-8292)

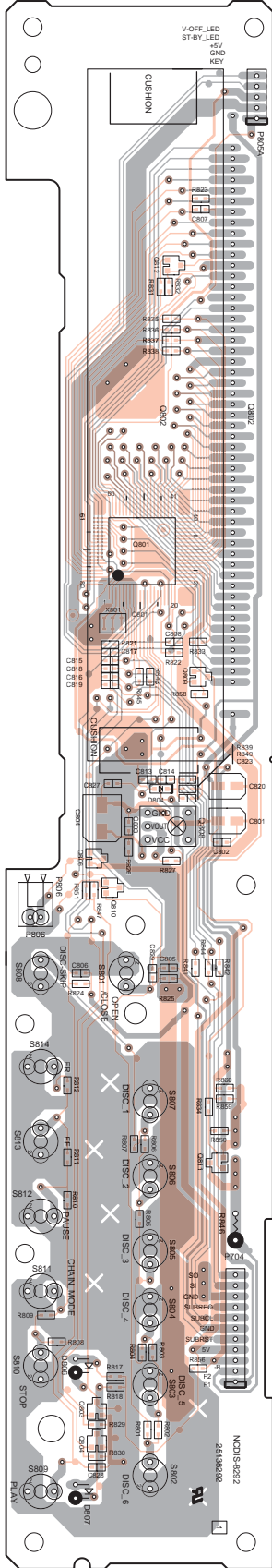
1

2

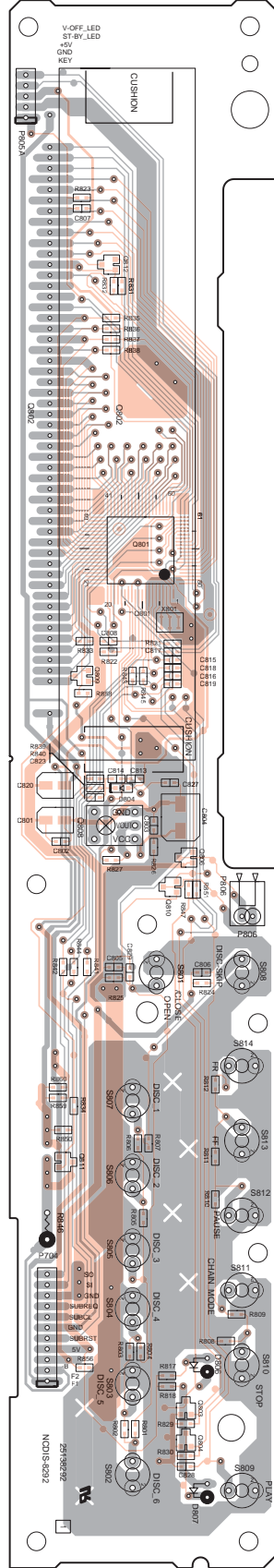
3

4

5



— : Side A pattern
 — : Side B pattern



A

B

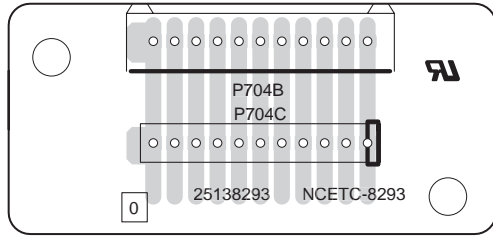
C

D

PRINTED CIRCUIT BOARD VIEWS-12

U13 CONNECTION PC BOARD (NAETC-8293)

1

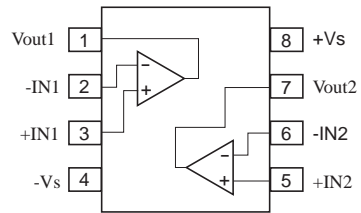


2

3

4

5

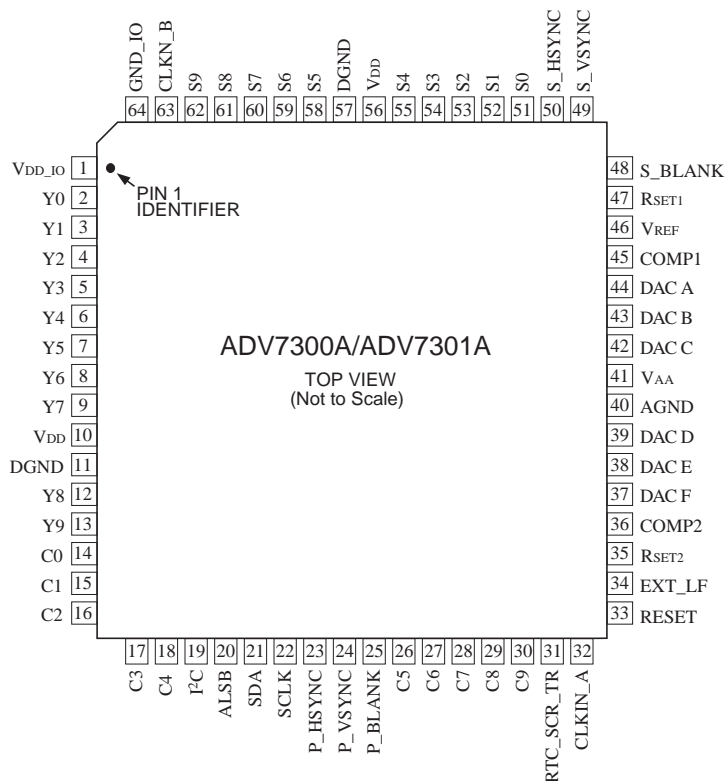
IC BLOCK DIAGRAM AND TERMINAL DESCRIPTIONS-22**Q1302: AD8062 Rail to Rail Amp.**

IC BLOCK DIAGRAM AND TERMINAL DESCRIPTIONS-37

Q6101: DAC-1

Block Diagram

PIN CONFIGURATION



PIN FUNCTION DESCRIPTIONS

PIN FUNCTION

Pin No.	Mnemonic	Input/Output	Function
1	VDD_IO	P	Power Supply for digital inputs and outputs.
2-9, 12, 13	Y0-Y9	I	10-Bit Progressive Scan/HDTV Input Port for Y data. The LSBs are set up on Pins Y0 and Y1. In default mode, the input on this port is output on DAC D.
14-18, 26-30	C0-C9	I	10-Bit Progressive Scan/HDTV Input Port for CrCb color data in 4:2:2 input mode. In 4:4:4 Input Mode, this input port is used for the Cb (Blue/U) data. The LSBs are set up on Pins C0 and C1. In default mode, the input on this port is output on DAC E.

IC BLOCK DIAGRAM AND TERMINAL DESCRIPTIONS-38

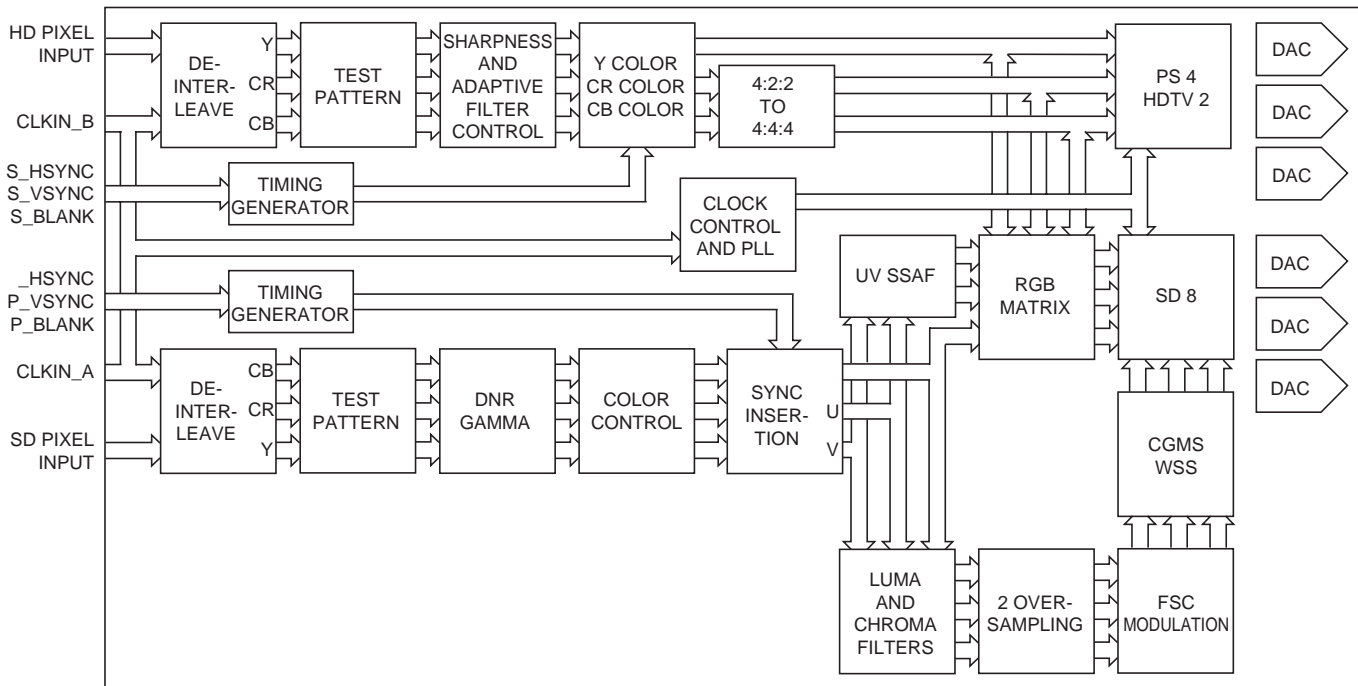
Q6101: DAC-2

Pin No.	Mnemonic	Input/Output	Function
19	I ² C	I	This input pin must be tied high (V _{DD_IO}) for the ADV7300A/ADV7301A to interface over the I ² C port.
20	ALSB	I/O	TTL Address Input. This signal sets up the LSB of the MPU address. When this pin is tied low, the I ² C filter is activated, which reduces noise on the I ² C interface.
21	SDA	I/O	MPU Port Serial Data Input/Output
22	SCLK	I	MPU Port Serial Interface Clock Input
23	P_HSYNC	I	Video Horizontal Sync Control Signal for HD Sync in Simultaneous SD/HD Mode and HD Only Mode
24	P_VSYNC	I	Video Vertical Sync Control Signal for HD Sync in Simultaneous SD/HD Mode and HD Only Mode
25	P_BLANK	I	Video Blanking Control Signal for HD Sync in Simultaneous SD/HD Mode and HD Only Mode
31	RTC_SCR_TR	I	Multifunctional Input: Realtime Control (RTC) Input, Timing Reset Input, and Subcarrier Reset Input
32	CLKIN_A	I	Pixel Clock Input for HD Only or SD Only Modes
33	RESET	I	This input resets the on-chip timing generator and sets the ADV7300A/ADV7301A into default register setting. Reset is an active low signal.
34	EXT_LF	I	External Loop Filter for the internal PLL
35, 47	RSET2, 1	I	A 760 resistor must be connected from this pin to AGND and is used to control the amplitudes of the DAC outputs.
36, 45	COMP2, 1	O	Compensation Pin for DACs. Connect 0.1 μ F Capacitor from COMP Pin to V _{AA} .
37	DAC F	O	In SD Only Mode: Chroma/Red/V Analog Output, in HD Only Mode and Simultaneous HD/SD: Pb/Blue (HD) Analog Output
38	DAC E	O	In SD Only Mode: Luma/Blue/U Analog Output, in HD Only Mode and Simultaneous HD/SD: Pr/Red (HD) Analog Output
39	DAC D	O	In SD Only Mode: CVBS/Green/Y Analog Output, in HD Only Mode and Simultaneous HD/SD: Y/Green (HD) Analog Output
40	AGND	G	Analog Ground
41	V _{AA}	P	Analog Power Supply
42	DAC C	O	Chroma/Red/V SD Analog Output
43	DAC B	O	Luma/Blue/U SD Analog Output
44	DAC A	O	CVBS/Green/Y SD Analog Output
46	V _{REF}	I/O	Optional External Voltage Reference Input for DACs or Voltage Reference Output (1.235 V)
48	S_BLANK	I/O	Video Blanking Control Signal for SD
49	S_VSYNC	I/O	Video Vertical Control Signal for SD. Option to output SD VSYNC or SD HSYNC in SD Slave Mode 0 and/or any HD Mode.
50	S_HSYNC	I/O	Video Horizontal Control Signal for SD. Option to output SD HSYNC or HD HSYNC in SD Slave Mode 0 and/or any HD Mode.
51D55, 58D62	S0DS9	I	10-Bit Standard Definition Input Port or Progressive Scan/HDTV Input Port for Cr (Red/V) color data in 4:4:4 Input Mode. The LSBs are set up on Pins S0 and S1. In Default Mode, the input on this port is output on DAC F.
56	V _{DD}	P	Digital Power Supply
57	DGND	G	Digital Ground
63	CLKIN_B	I	Pixel Clock Input. Requires a 27 MHz reference clock for Progressive Scan Mode or a 74.25MHz (74.1758MHz) reference clock in HDTV Mode. This clock input pin is only used in Simultaneous SD/HD Mode.
64	GND_IO		

IC BLOCK DIAGRAM AND TERMINAL DESCRIPTIONS-39

Q6101: DAC-3

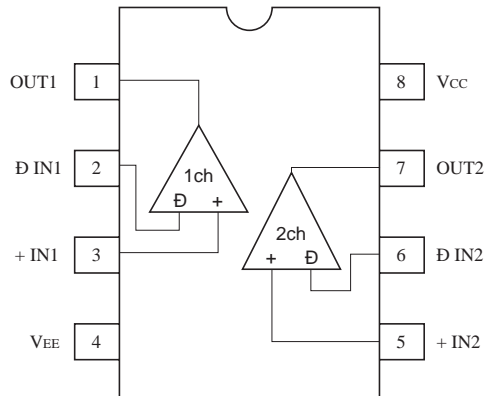
Block Diagram



TERMS USED IN THIS DATA SHEET

- SD Standard Definition Video, conforming to ITU-R.BT601/ITU-R.BT656.
- HD High Definition Video, i.e., Progressive Scan or HDTV.
- PS Progressive Scan Video, conforming to SMPTE293M or ITU-R.BT1358.

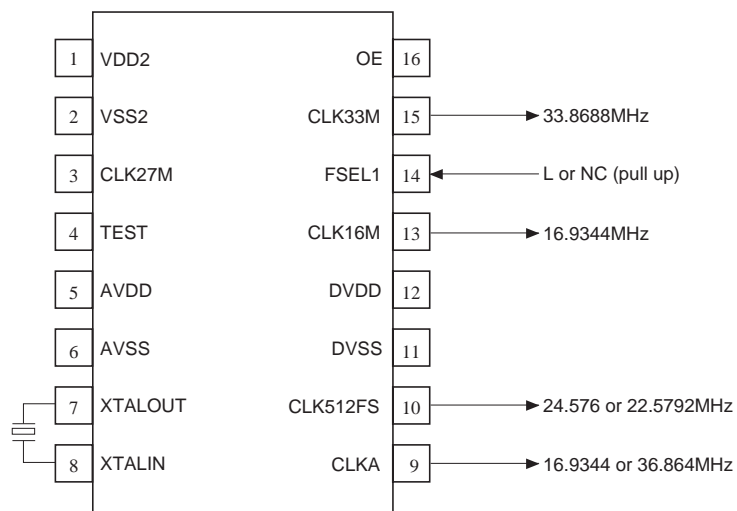
- HDTV High Definition Television Video, conforming to SMPTE274M or SMPTE296M.
- YCrCb SD or HD Component Digital Video
- YPrPb HD Component Analog Video
- YUV SD Component Analog Video

IC BLOCK DIAGRAM AND TERMINAL DESCRIPTIONS-8**Q1102: BA4510FV OPE. AMP****Block diagram**

IC BLOCK DIAGRAM AND TERMINAL DESCRIPTIONS-33

Q2601: BU2288FV CLOCK GENERATOR

PIN CONFIGURATION



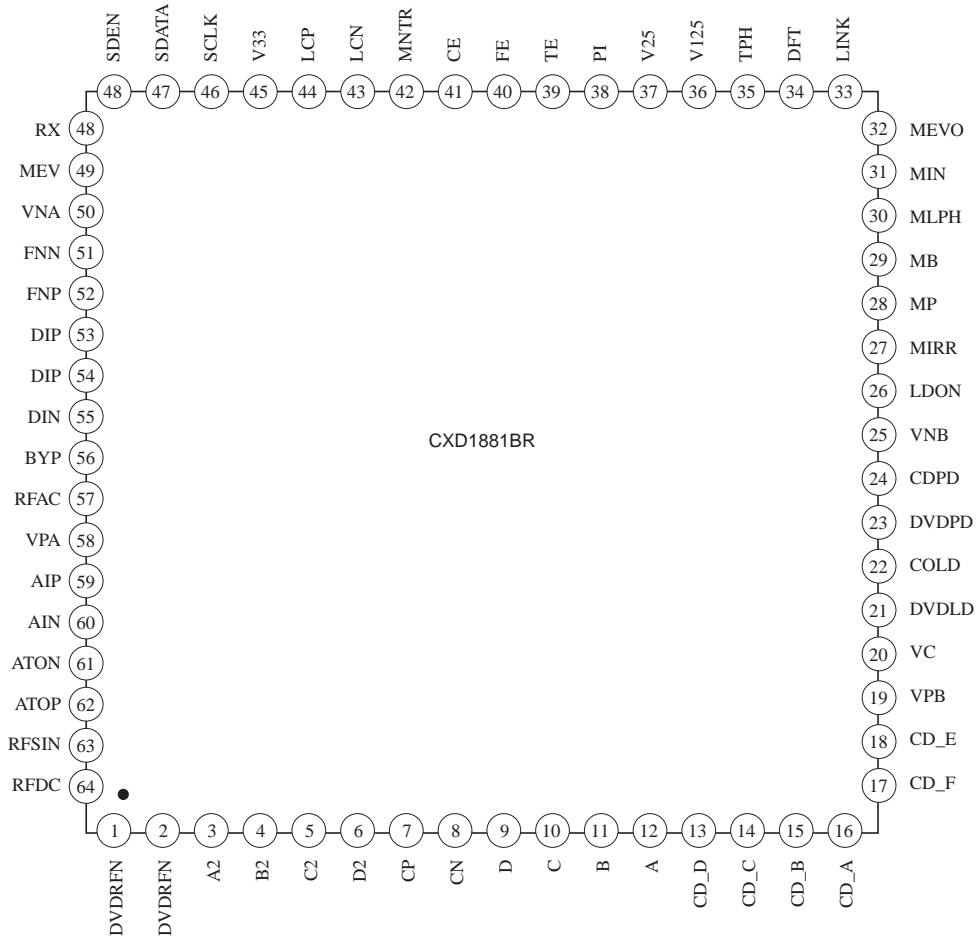
PIN FUNCTION

PIN No.	PIN NAME	FUNCTION
1	VDD2	Digital VDD for 27MHz clock output
2	VSS2	Digital GND for 27MHz clock output
3	CLK27M	27MHz clock output
4	TEST	Output for test
5	AVDD	Analog VDD
6	AVSS	Analog GND
7	XTALOUT	Standard crystal output
8	XTALIN	Standard crystal input
9	CLKA	Clock output (FSEL1=Open: 16.9344MHz, FEL1=36.864MHz)
10	CLK512FS	Clock output (FSEL1=Open: 22.5792MHz, FEL1=24.576MHz)
11	DVSS	Digital GND
12	DVDD	Digital VDD
13	CLK16M	16.9344MHz clock output
14	FSEL1	Output select: with pull up Open: 16.9344MHz (9pin), 22.5792MHz (10pin) L: 36.864MHz (9pin), 24.576MHz (10pin)
15	CLK33M	33.8688MHz clock output
16	OE	Output enable (open: enable, L: disable): with pull up

IC BLOCK DIAGRAM AND TERMINAL DESCRIPTIONS-1

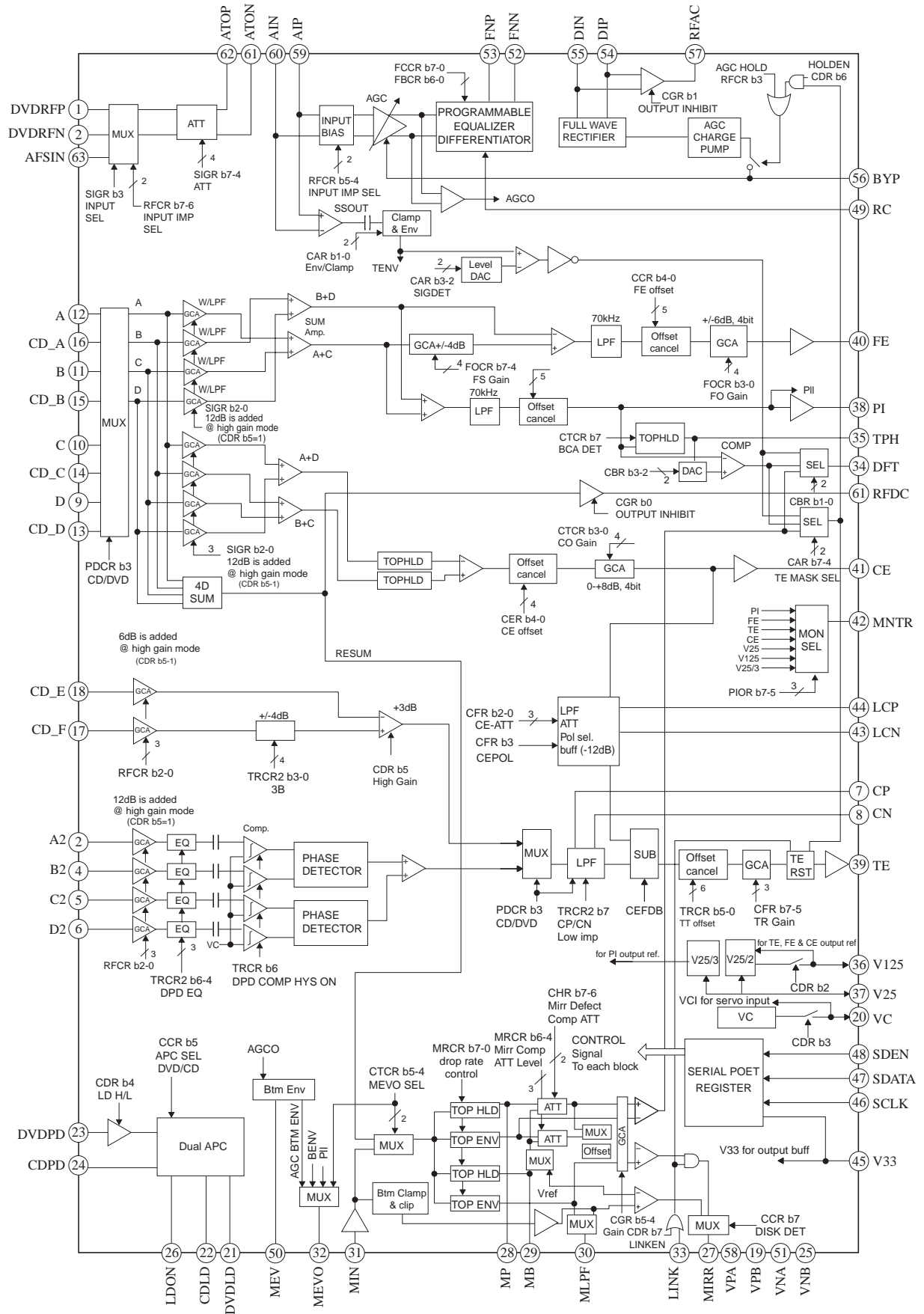
Q1001 : CXD1881BR DVD ANALOG FRONTEND-1

PIN LAYOUT



IC BLOCK DIAGRAM AND TERMINAL DESCRIPTIONS-2

Q1001 : CXD1881BR DVD ANALOG FRONTEND-2



IC BLOCK DIAGRAM AND TERMINAL DESCRIPTIONS-3

Q1001 : CXD1881BR DVD ANALOG FRONTEND-3

TERMINAL DESCRIPTION

Power supply

Pin Name	I/O	Description
VPA	-	Power supply for RF section and serial port.
VPB	-	Power supply for servo section.
VNA	-	Ground pin for RF section and serial port section.
VNB	-	Ground of servo section.
V33	-	Power supply for output buffer.
V25	-	Reference voltage pin for servo output.

Input pin

Pin name	I/O	Description
DVDRFP, DVDRFN	I	RF signal: RF attenuate deferential signal input pin.
RFSIN	I	RF signal: Single end RF signal input pin.
AIP, AIN	I	AGC Amp. input: Input pin of deferential amp.
DIP, DIN	I	Analog input pin for RF single buffer.
A, B, C, D	I	Interface input pin of photo detector.
A2, B2, C2, D2	I	Interface input pin of photo detector. AC coupling input pin for DPD from main beam photo detector.
CD_A, B, C, D	I	Interface input pin of CD photo detector.
CD_E, F	I	Interface input pin of CD photo detector.
MIN	I	RF signal input pin for mirror detection.
DVDPD	I	APC input pin. DVD APC input pin from monitor photo diode.
CDPD	I	APC input pin. CD APC input pin from monitor photo diode.
LDON	I	APC output control pin. H: LD output signal is active.
LINK	I	Link signal input pin.
	O	Mirror monitor signal output pin.

Output pin

Pin name	I/O	Description
ATOP, ATON	O	Deferential attenuation output pin.
FNP, FNN	O	Deferential normal output pin.
RFAC	O	Single end normal output pin
RFDC	O	RF signal output pin.
FE	O	Focus error signal output pin.
TE	O	Tracking error signal output pin.
CE	O	Center error signal output pin.
MEVO	O	RFDDC bottom envelope output pin.
DFT	O	Defect output pin.
MIRR	O	Mirror detection output pin.
OI	O	Puu in signal output pin.
DVDLD	O	APC output pin. For controlled laser power. (DVD APC)
CDLD	O	APC output pin. For controlled laser power. (CD APC)
MNTR	O	Monitor output pin.

IC BLOCK DIAGRAM AND TERMINAL DESCRIPTIONS-4

Q1001 : CXD1881BR DVD ANALOG FRONTEND-4

TERMINAL DESCRIPTION

Analog pins

Pin Name	I/O	Description
BYP	-	The RF AGC integration capacitor CBYP is connected between BYP and VPA.
CP	-	Deferential phase tracking LPF pin.
CN	-	Deferential phase tracking LPF pin.
LCP	-	The LPF terminal which lens shift offset cancel.
LCN	-	The LPF terminal which lens shift offset cancel.
MP	-	MIRR top hold pin.
MB	-	MIRR top hold pin.
MEV	-	RFDC bottom envelope pin.
MLPF	-	Mirror LPF pin.
TPH	-	PI top hold pin.
VC	-	Reference voltage output pin.
V125	-	Reference voltage output pin.
RX	-	Connect the reference resistor.

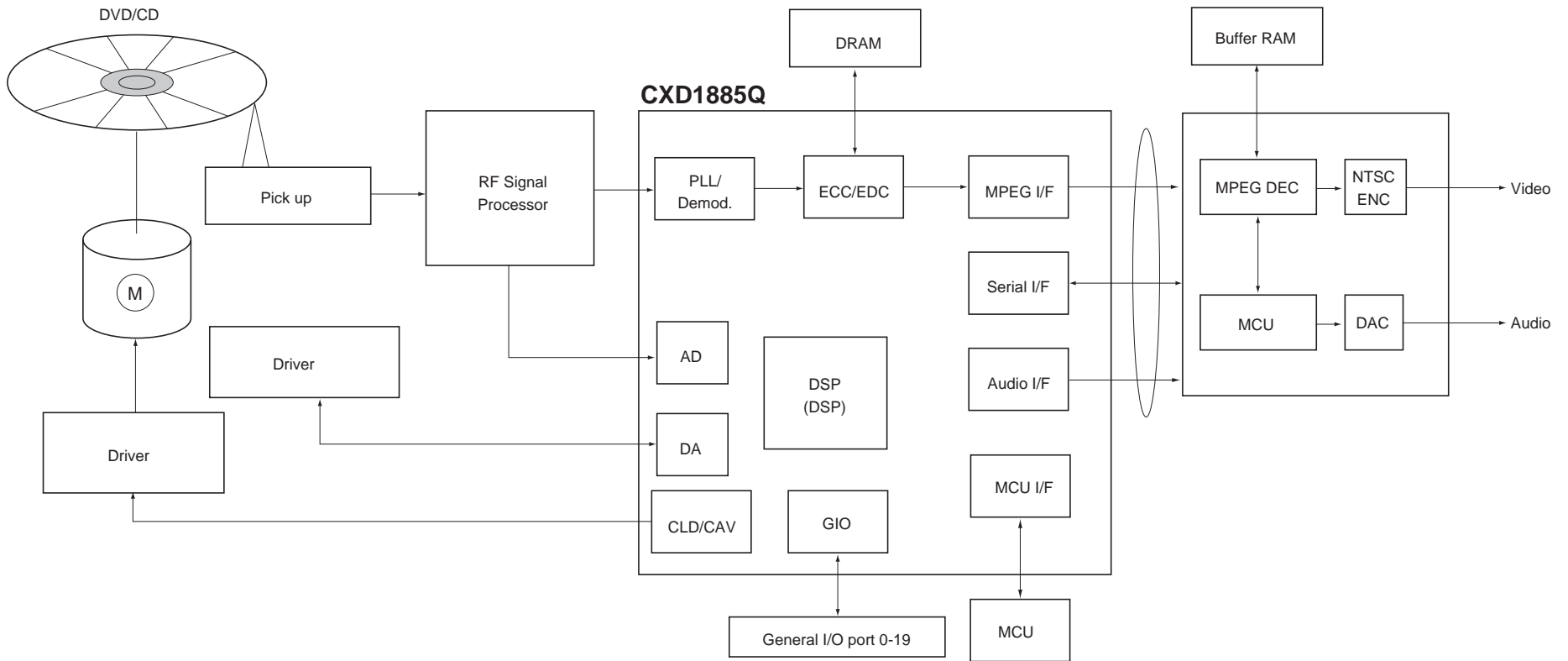
Serial port pin

Pin Name	I/O	Description
SDEN	I	Serial data enable input pin.
SDATA	I/O	Serial data input and output pin.
SCLK	I	Serial clock input pin.

IC BLOCK DIAGRAM AND TERMINAL DESCRIPTIONS-9

Q1201: CXD1885Q (DVD DSP)-1

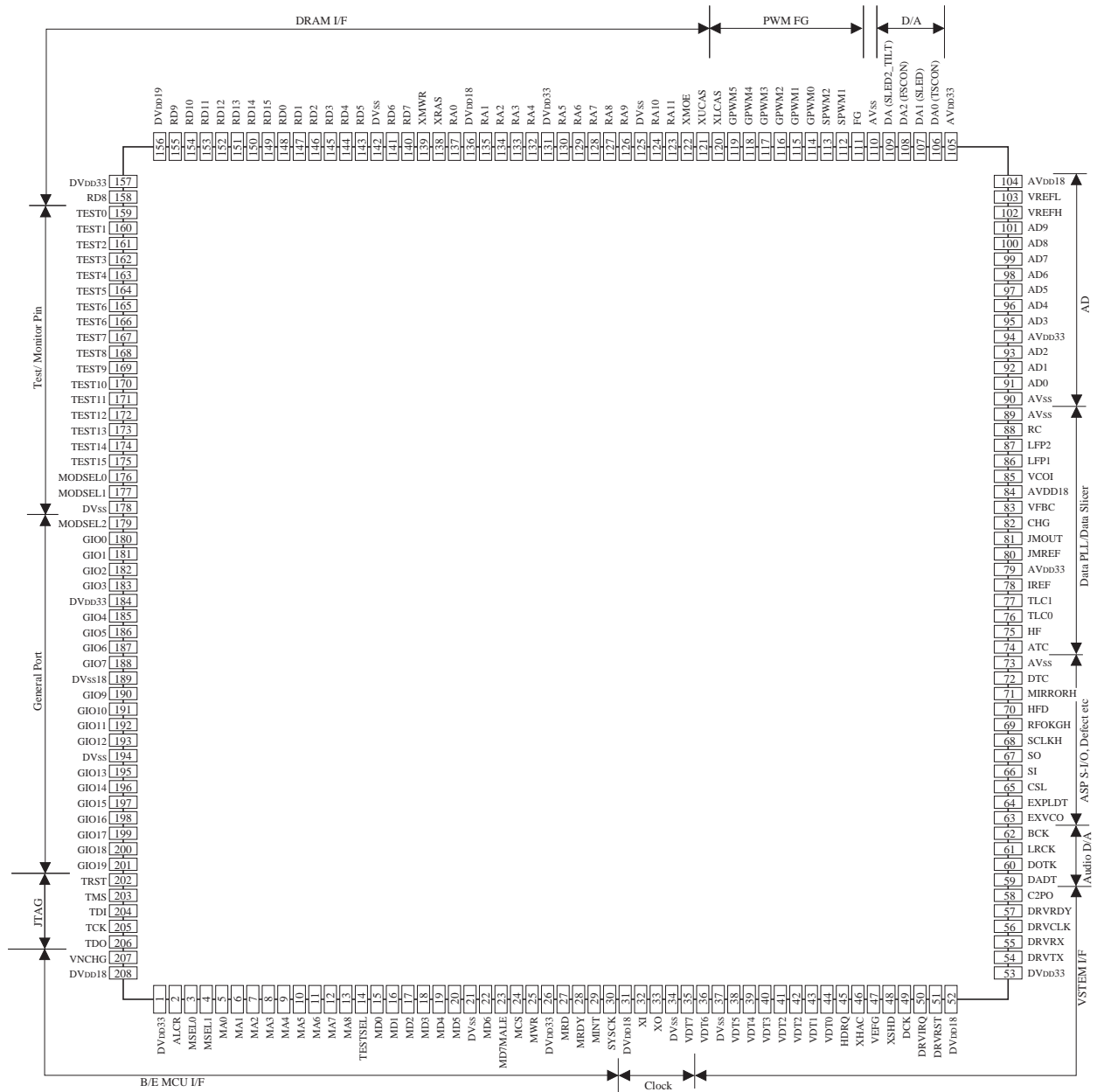
BLOCK DIAGRAM



IC BLOCK DIAGRAM AND TERMINAL DESCRIPTIONS-10

Q1201: CXD1885Q (DVD DSP)-2

PIN LAYOUT



IC BLOCK DIAGRAM AND TERMINAL DESCRIPTIONS-11

Q1201: CXD1885Q (DVD DSP)-3

No.	Sign	I/O	Classification	Description
1	DVDD33	P	VDD & GND	Digital power supply (3.3V)
2	ALCR	I	MCU I/F	Chip reset input port. L: Reset mode
3	MSEL0	I	MCU I/F	MUCH I/F mode select 0
4	MSEL1	I	MCU I/F	MUCH I/F mode select 1
5	MA0	I/O	MCU I/F	MUCH address input 0 / Data in/ out 0 port
6	MA1	I/O	MCU I/F	MUCH address input 1 / Data in/ out 1 port
7	MA2	I/O	MCU I/F	MUCH address input 2 / Data in/ out 2 port
8	MA3	I/O	MCU I/F	MUCH address input 3 / Data in/ out 3 port
9	MA4	I/O	MCU I/F	MUCH address input 4 / Data in/ out 4 port
10	MA5	I/O	MCU I/F	MUCH address input 5 / Data in/ out 5 port
11	MA6	I/O	MCU I/F	MUCH address input 6 / Data in/ out 6 port
12	MA7	I/O	MCU I/F	MUCH address input 7 / Data in/ out 7 port
13	MA8	I	MCU I/F	MUCH address input 8 / Data in/ out 8 port
14	TESTSEL	I	MCU I/F	Test select input port
15	MD0	I/O	MCU I/F	MUCH data in/ out 0 port. (LBS.)
16	MD1	I/O	MCU I/F	MUCH data in/ out 1 port
17	MD2	I/O	MCU I/F	MUCH data in/ out 2 port
18	MD3	I/O	MCU I/F	MUCH data in/ out 3 port
19	MD4	I/O	MCU I/F	MUCH data in/ out 4 port
20	MD5	I/O	MCU I/F	MUCH data in/ out 5 port
21	DVSS	P	VDD & GND	Digital GOD
22	MD6	I/O	MCU I/F	MUCH data in/ out 6 port
23	MD7	I/O	MCU I/F	MUCH data in/ out 7 port. (MOB)
24	MALE	I	MCU I/F	MUCH address latch signal input port
25	MCS	I	MCU I/F	MUCH chip select signal input port
26	MWR	I	MCU I/F	MUCH write strobe signal input port
27	DVDD33	P	VDD & GND	Digital power supply (3.3V)
28	MRD	I	MCU I/F	MUCH read strobe signal input port
29	MRDY	O	MCU I/F	MUCH reedy signal output port. L: Wait condition
30	MINT	O	MCU I/F	MUCH interruption output signal port. L: demand state of interruption
31	SYSCK	O	Clock	Clock monitor output port
32	DVDD18	P	VDD & GND	Digital power supply (1.8V), for internal logic circuit
33	XI	I	Clock	Crystal oscillator connection port
34	XO	O	Clock	Crystal oscillator connection port
35	DVSS	P	VDD & GND	Digital GOD
36	VDT7	O	VSTEM A/V	MPEG data output 7 port
37	VDT6	O	VSTEM A/V	MPEG data output 6 port
38	DVSS	P	VDD & GND	Digital GOD
39	VDT5	O	VSTEM A/V	MPEG data output 5 port
40	VDT4	O	VSTEM A/V	MPEG data output 4 port
41	VDT3	O	VSTEM A/V	MPEG data output 3 port
42	VDT2	O	VSTEM A/V	MPEG data output 2 port
43	VDT1	O	VSTEM A/V	MPEG data output 1 port
44	VDT0	O	VSTEM A/V	MPEG data output 0 port
45	HDRQ	I	VSTEM A/V	MPEG data request input port
46	XHAC	O	VSTEM A/V	Data valid output port
47	VEFG	O	VSTEM A/V	BECK error select (Flag) output port. L: Error selector
48	XSHD	O	VSTEM A/V	DVD first sector flag signal output port
49	DCK	O	VSTEM A/V	Data strobe signal output port
50	DRVIRQ	O	VSTEM Command	Interrupt request output port. (for host)
51	DRVRST	I	VSTEM Command	Drive H/W reset input port. L: reset
52	DVSDD18	P	VDD & I/F	Digital power supply (1.8V), for internal logic circuit
53	DVSDD33	P	VDD & I/F	Digital power supply (3.3V), for I/O
54	DRVTX	O	VSTEM Command	Serial data output port (for host)
55	DRVRX	I	VSTEM Command	Serial data input port (from host)
56	DRVCLK	I	VSTEM Command	Clock signal input port
57	DRVRDY	O	VSTEM Command	Drive ready signal output port. L: ready condition
58	C2PO	O	Audio I/F	CD-DSL C2 pointer output port
59	DADT	O	Audio I/F	Audio serial data output port
60	DOTX	O	Audio I/F	Digital audio output port
61	LRCK	O	Audio I/F	L/R clock output port
62	BCK	O	Audio I/F	Audio-bit clock output port
63	EXVCO	I	TEST/ Monitor	External channel clock input port
64	EXPLDT	I	TEST/ Monitor	External FRO data input port
65	CSL	O	ASP I/F	FRO signal processing port. Latch signal output control

IC BLOCK DIAGRAM AND TERMINAL DESCRIPTIONS-12

Q1201: CXD1885Q (DVD DSP)-4

No.	Sign	I/O	Classification	Description
66	SI	I	ASP I/F	FRO signal processing port. Serial data input control
67	SO	O	ASP I/F	FRO signal processing port. Serial data output control
68	SCLKH	O	ASP I/F	FRO signal processing port. Serial clock output control
69	RFOKGH	I	ASP I/F	FRO signal OK output port
70	HFD	I	ASP I/F	FRO lack signal input port
71	MIRRORH	I	ASP I/F	Detect mirror signal input port. H: mirror detect
72	DTC	I	ASP I/F	Track cross signal input port
73	AVSS	P	VDD & GND	Analog GND
74	ATC	I	Data PLL	Track cross signal input port. (Analog level input)
75	HFD	I	Data PLL	RF signal input port
76	TLC0	O	Data PLL	Asymmetry charge pump output port 0
77	TLC1	O	Data PLL	Asymmetry charge pump output port 1
78	IREF	I	Data PLL	Reference current setting port for asymmetry circuit
79	AVDD33	P	VDD & GND	Analog voltage port. 3.3V
80	JMREF	I	Data PLL	Reference current setting port for jitter monitor
81	JMOUT	O	Data PLL	Jitter monitor output port
82	CHG	I	Data PLL	Reference setting pin of charge pump for PLL data
83	VFBC	I	Data PLL	Reference setting pin for off-set of PLL data (VCO)
84	AVDD18	I	VDD & GND	Analog power supply. 1.8V
85	VCOI	I	Data PLL	Reference voltage input port for PLL data (VCO)
86	LPF1	O	Data PLL	To connect the loop filter for PLL data 1
87	LPF2	O	Data PLL	To connect the loop filter for PLL data 2
88	RC	I	Data PLL	Gain control port for PLL data (VCO)
89	AVSS	P	VDD & GND	Analog GND
90	AVSS	P	VDD & GND	Analog GND
91	AD0	I	ADC	AD0 input port
92	AD1	I	ADC	AD1 input port
93	AD2	I	ADC	AD2 input port
94	AVDD33	P	VDD & GND	Analog power supply. 3.3V
95	AD3	I	ADC	AD3 input port
96	AD4	I	ADC	AD4 input port
97	AD5	I	ADC	AD5 input port
98	AD6	I	ADC	AD6 input port
99	AD7	I	ADC	AD7 input port
100	AD8	I	ADC	AD8 input port
101	AD9	I	ADC	AD9 input port
102	VREFH	I/O	ADC	Maximum reference voltage input port for ADC
103	VREFL	I/O	ADC	Minimum reference voltage input port for ADC
104	AVDD18	P	VDD & GND	Analog power supply. 1.8V
105	AVDD33	P	VDD & GND	Analog power supply. 3.3V
106	DA0 (TSCON)	O	DAC	Track servo output port
107	DA1 (SLED)	O	DAC	Sled servo output port
108	DA2 (FSCON) DA3	O	DAC	Focus servo output port
109	DA3 (SLED2_T ILT)	O	DAC	Sled servo/ Tilt servo control output port
110	AVSS	P	VDD & GND	Analog GND
111	FG	I	SPM	FG signal input port
112	SPWM1	O	SPM	Spindle motor PWM output-1 port
113	SPWM2	O	SPM	Spindle motor PWM output-2 port
114	GPWM0	O	General PWM	General PWM output-0 port
115	GPWM1	O	General PWM	General PWM output-1 port
116	GPWM2	O	General PWM	General PWM output-2 port
117	GPWM3	O	General PWM	General PWM output-3 port
118	GPWM4	O	General PWM	General PWM output-4 port
119	GPWM5	O	General PWM	General PWM output-5 port
120	XLCAS	O	DRAM I/F	LCAS of DRAM output port
121	XUCAS	O	DRAM I/F	UCAS of DRAM output port
122	XMOE	O	DRAM I/F	Enable output port of DRAM
123	RA11	O	DRAM I/F	Address output port-11 of DRAM
124	RA10	O	DRAM I/F	Address output port-10 of DRAM
125	DVSS	P	VDD & GND	Digital GND
126	RA9	O	DRAM I/F	Address output port-9 of DRAM

IC BLOCK DIAGRAM AND TERMINAL DESCRIPTIONS-13

Q1201: CXD1885Q (DVD DSP)-5

No.	Sign	I/O	Classification	Description
127	RA8	O	DRAM I/F	Address output port-8 of DRAM
128	RA7	O	DRAM I/F	Address output port-7 of DRAM
129	RA6	O	DRAM I/F	Address output port-6 of DRAM
130	RA5	O	DRAM I/F	Address output port-5 of DRAM
131	DVDD33	P	VDD & GND	Digital power supply. 3.3V
132	RA4	O	DRAM I/F	Address output port-4 of DRAM
133	RA3	O	DRAM I/F	Address output port-3 of DRAM
134	RA2	O	DRAM I/F	Address output port-2 of DRAM
135	RA1	O	DRAM I/F	Address output port-1 of DRAM
136	DVDD18	P	VDD & GND	Digital power supply. 1.8V
137	RA0	O	DRAM I/F	Address output port-0 of DRAM
138	XRAS	O	DRAM I/F	RAS output port of DRAM
139	XMWR	O	DRAM I/F	Write enable port of DRAM
140	RD7	I/O	DRAM I/F	Data input port-7
141	RD6	I/O	DRAM I/F	Data input port-6
142	DVSS	P	VDD & GND	Digital GND
143	RD5	I/O	DRAM I/F	Data input port-5
144	RD4	I/O	DRAM I/F	Data input port-4
145	RD3	I/O	DRAM I/F	Data input port-3
146	RD2	I/O	DRAM I/F	Data input port-2
147	RD1	I/O	DRAM I/F	Data input port-1
148	RD0	I/O	DRAM I/F	Data input port-0
149	RD15	I/O	DRAM I/F	Data input port-15
150	RD14	I/O	DRAM I/F	Data input port-14
151	RD13	I/O	DRAM I/F	Data input port-13
152	RD12	I/O	DRAM I/F	Data input port-12
153	RD11	I/O	DRAM I/F	Data input port-11
154	RD10	I/O	DRAM I/F	Data input port-10
155	RD9	I/O	DRAM I/F	Data input port-9
156	DVDD18	P	VDD & GND	Digital power supply. 1.8V
157	DVDD33	P	VDD & GND	Digital power supply. 3.3V
158	RD8	I/O	DRAM I/F	Data input port-8
159	TEST0	O	Test/ Monitor	Test for I/O-0
160	TEST1	O	Test/ Monitor	Test for I/O-1
161	TEST2	O	Test/ Monitor	Test for I/O-2
162	TEST3	O	Test/ Monitor	Test for I/O-3
163	TEST4	O	Test/ Monitor	Test for I/O-4
164	TEST5	O	Test/ Monitor	Test for I/O-5
165	TEST6	O	Test/ Monitor	Test for I/O-6
166	TEST7	O	Test/ Monitor	Test for I/O-7
167	TEST8	O	Test/ Monitor	Test for I/O-8
168	TEST9	O	Test/ Monitor	Test for I/O-9
169	TEST10	O	Test/ Monitor	Test for I/O-10
170	TEST11	O	Test/ Monitor	Test for I/O-11
171	TEST12	O	Test/ Monitor	Test for I/O-12
172	TEST13	O	Test/ Monitor	Test for I/O-13
173	TEST14	O	Test/ Monitor	Test for I/O-14
174	TEST15	O	Test/ Monitor	Test for I/O-15
175	MODSEL0	I	Test/ Monitor	Test mode select-0 input port
176	MODSEL1	I	Test/ Monitor	Test mode select-1 input port
177	DVSS	P	VDD & GND	Digital GND
178	MODSEL2	I	Test/ Monitor	Test mode select-2 input port
179	GIO0	I/O	General Port	General port-0
180	GIO1	I/O	General Port	General port-1
181	GIO2	I/O	General Port	General port-2
182	GIO3	I/O	General Port	General port-3
183	DVDD33	P	VDD & GND	Digital power supply. 3.3V
184	GIO4	I/O	General Port	General port-4
185	GIO5	I/O	General Port	General port-5
186	GIO6	I/O	General Port	General port-6
187	GIO7	I/O	General Port	General port-7
188	DVDD18	I/O	VDD & GND	Digital power supply. 1.8V
189	GIO8	I/O	General Port	General port-8
190	GIO9	I/O	General Port	General port-9
191	GIO10	I/O	General Port	General port-10
192	GIO11	I/O	General Port	General port-11

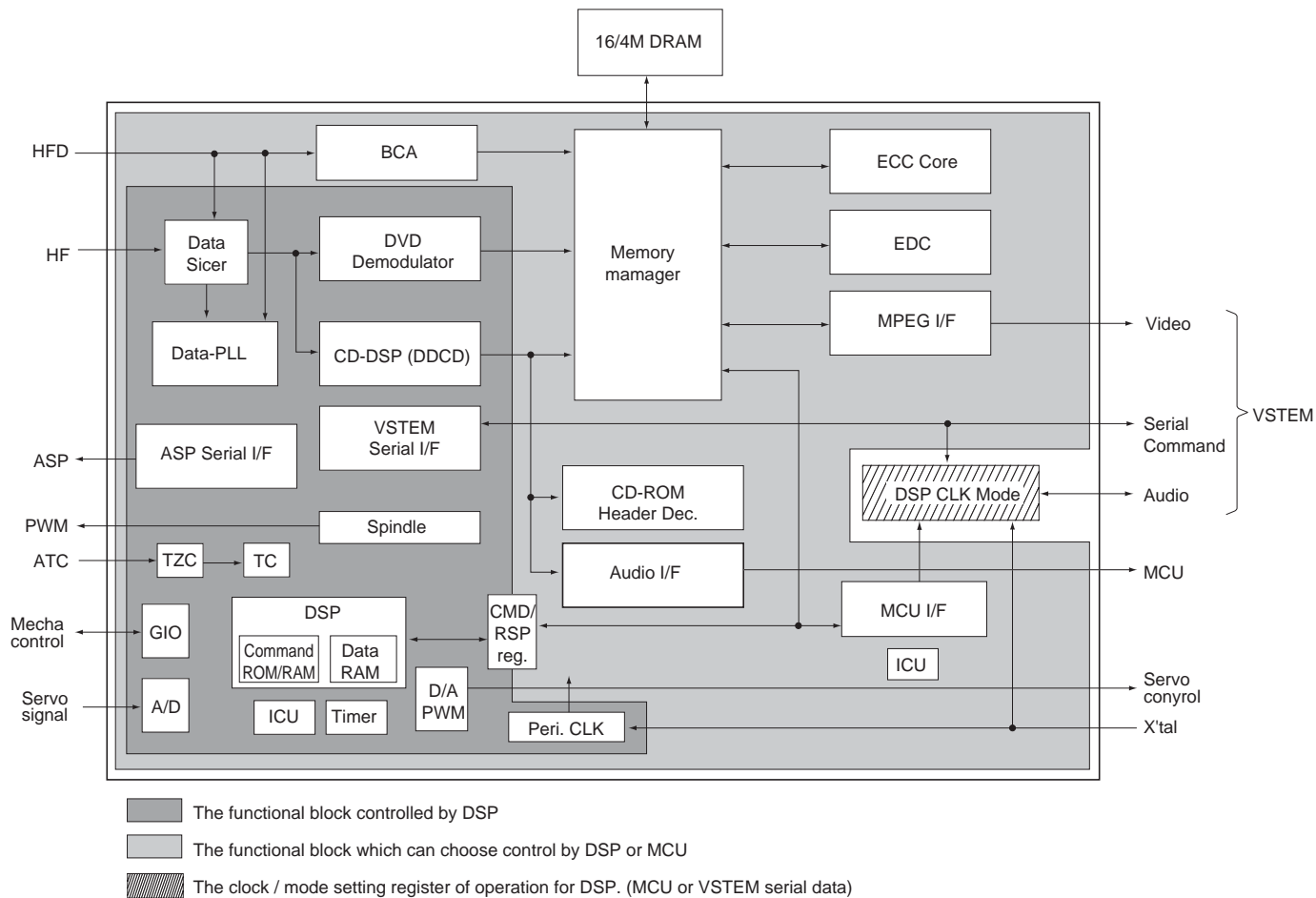
IC BLOCK DIAGRAM AND TERMINAL DESCRIPTIONS-14

Q1201: CXD1885Q (DVD DSP)-6

No.	Sign	I/O	Classification	Description
193	GIO12	I/O	General Port	General port-12
194	DVSS	P	VDD & GND	Digital GND
195	GIO13	I/O	General Port	General port-13
196	GIO14	I/O	General Port	General port-14
197	GIO15	I/O	General Port	General port-15
198	GIO16	I/O	General Port	General port-16
199	GIO17	I/O	General Port	General port-17
200	GIO18	I/O	General Port	General port-18
201	GIO19	I/O	General Port	General port-19
202	TRST	I	JTAG I/F	JYAG reset input port
203	TMS	I	JTAG I/F	JYAG mode select input port
204	TDI	I	JTAG I/F	JYAG data input port
205	TCK	I	JTAG I/F	JYAG clock input port
206	TDO	O	JTAG I/F	JYAG data output port
207	VMCHG	I	MCU I/F	System select port for DSP. (L: VSTEM, H: External MCU)
208	DVDD18	P	VDD & GND	Digital power supply. 1.8V (for internal logic)

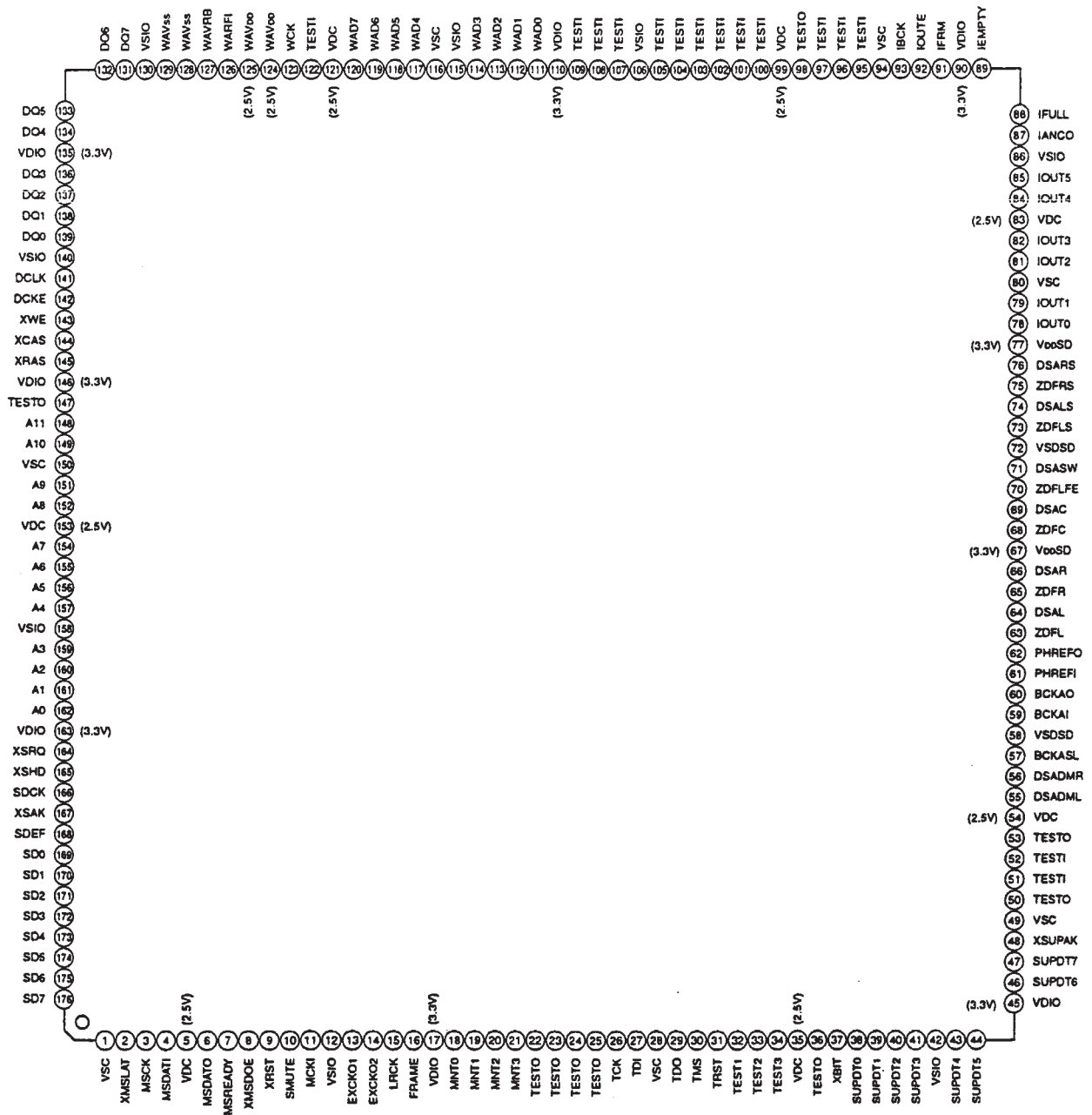
IC BLOCK DIAGRAM AND TERMINAL DESCRIPTIONS-15

Q1201: CXD1885Q (DVD DSP)-7



IC BLOCK DIAGRAM AND TERMINAL DESCRIPTIONS-17

Q1301: CXD2753R-1



IC BLOCK DIAGRAM AND TERMINAL DESCRIPTIONS-18

Q1301: CXD2753R-2

No.	Pin Name	I/O	Pin Function
1	VCS	-	Ground terminal for core
2	XMSLAT	I	Latched input terminal for microcomputer serial communication
3	MSCK		Shift clock input terminal for microcomputer serial communication
4	MSDAI		Data entry terminal for microcomputer serial communication
5	VDC	-	Power supply terminal for core
6	MSDATO	O	Data output terminal for microcomputer serial communication
7	MSREADY		Output preparation completion flag for microcomputer serial communication
8	XMSDOE		Output enable terminal for microcomputer serial communication
9	XRST	I	Reset terminal resets the whole IC with "L".
10	SMUTE	Ipd	Software mute removes audio out with "L" with "H" a soft mute terminal.
11	MCKI	I	Master clock input terminal
12	VSIO	-	Ground terminal for I/O
13	EXCKO1	O	Outside output clock terminal 1
14	EXCKO2		Outside output clock terminal 2
15	LRCK		Fs (44.1kHz) clock output terminal
16	FRAME		Frame signal output terminal
17	VDIO	-	Power supply terminal for I/O
18	MNT0	O	Monitor output terminal
19	MNT1		
20	MNT2		
21	MNT3		
22	TESTO		Output terminal for test
23			
24			
25			
26	TCK	I	It is fixation in "L" a clock input terminal for test.
27	TDI	Ipu	Input terminal for test
28	VSC	-	Ground terminal for core
29	TDO	O	Output terminal for test
30	TMS	Ipu	Input terminal for test
31	TRST		Reset terminal for test
32	TEST1	I	It is fixation in "L" a clock input terminal for test
33	TEST2		
34	TEST3		
35	VDC	-	Power supply terminal for core
36	TESTO	O	Output terminal for test
37	XBIT		DST connection monitor terminal
38	SUPDT0		Supplementary data output terminal (LSB)
39	SUPDT1		Supplementary data output terminal
40	SUPDT2		
41	SUPDT3		
42	VSIO	-	Ground terminal for I/O
43	SUPDT4	O	Supplementary data output terminal
44	SUPDT5		
45	VDIO	-	Power supply terminal for I/O
46	SUPDT6	O	Supplementary data output terminal
47	SUPDT7		Supplementary data output terminal (MSB)
48	XSUPAK		Supplementary data output terminal
49	VSC	-	Ground terminal for core
50	TESTO	O	Output terminal for test

IC BLOCK DIAGRAM AND TERMINAL DESCRIPTIONS-19

Q1301: CXD2753R-3

No.	Pin Name	I/O	Pin Function
51	TESTI	I	It is fixation in "L" a test input terminal.
52			
53	TESTO	O	Output terminal for test
54	VDC	-	Power supply terminal for core
55	DSADML	O	DSD data output terminal for Lch Down Mix
56	DSADMR		DSD data output terminal for Rch Down Mix
57	BCKASL	I	Input and output choice terminal of a 1 bit clock for DSD data output. L = input (slave), H=output (master).
58	VSDSD	-	Ground terminal for DSD data output
59	BCKAI	I	Bit clock input terminal for DSD data output
60	BCKAO	O	Bit clock output terminal for DSD data output
61	PHREFI	I	Phase reference signal input terminal for DSD output phase modulation
62	PHREFO	O	Phase reference signal output terminal for DSD output phase modulation
63	ZDFL		Zero Lch data search flag
64	DSAL		DSD data output terminal for Lch loud speaker
65	ZDFR		Zero Rch data search flag
66	DSAR		DSD data output terminal for Rch loud speaker
67	VDDSD		-
68	ZDFC	O	Zero Cch data search flag
69	DSAC		DSD data output terminal for Cch loud speaker
70	ZDFLFE		Zero LFEch data search flag
71	DSASW		DSD data output terminal for SWch loud speaker
72	VSDSD	-	Ground terminal for DSD data output
73	ZDFLS	O	Zero LSch data search flag
74	DSALS		DSD data output terminal child for LSch loud speaker
75	ZDFRS		Zero RSch data search flag
76	DSARS		DSD data output terminal for RSch loud speaker
77	VDDSD	-	Power supply Mizuko for DSD dataoutput
78	IOUT0	O	Data output terminal 0 for IEEE1394 link tip I/F
79	IOUT1		Data output terminal 1 for IEEE1394 link tip I/F
80	VSC	-	Ground terminal for core
81	IOUT2	O	Data output terminal 2 for IEEE1394 link tip I/F
82	IOUT3		Data output terminal 3 for IEEE1394 link tip I/F
83	VDC		-
84	IOUT4	O	Data output terminal 4 for IEEE1394 link tip I/F
85	IOUT5		Data output terminal 5 for IEEE1394 link tip I/F
86	VSIO	-	Ground terminal for I/O
87	IANCO	O	Transmission information data output terminal for IEEE1394 link tip I/F
88	IFULL	I	Data transmission hold demand signal input terminal for IEEE1394 link tip I/F
89	IEMPTY		High speed transmission demand signal input terminal for IEEE1394 link tip I/F
90	VDIO	-	Power supply terminal for I/O
91	IFRM	O	Frame reference signal output Mizuko for IEEE1394 link tip I/F
92	IOUTE		Enable signal output terminal for IEEE1394 link tip I/F
93	IBCK		Data transmission clock output terminal for IEEE1394 link tip I/F
94	VSC	-	Ground terminal for core
95	TESTI	I	It is fixation in "H" a test input terminal.
96			It is fixation in "L" a test input terminal
97		Ipu	It is fixation in "H" a test input terminal
98	TESTO	O	Output terminal for test
99	VDC	-	Power supply terminal for co
100	TESTI	I	It is fixation in "L" a test input terminal.

IC BLOCK DIAGRAM AND TERMINAL DESCRIPTIONS-20

Q1301: CXD2753R-4

No.	Pin Name	I/O	Pin Function
101	TESTI	I	It is fixation in "L" a test input terminal.
102			
103			
104			
105			
106	VSIO	-	Ground terminal for I/O
107	TESTI	I	It is fixation in "L" a test input terminal.
108			
109			
110	VDIO	-	Power supply terminal for I/O
111	WAD0	I	Outside A/D data entry terminal for PSP Physical Disc Mark search (LSB)
112	WAD1		Outside A/D data entry terminal for PSP Physical Disc Mark search
113	WAD2		
114	WAD3		
115	VSIO	-	Ground terminal for I/O
116	VSC	-	Ground terminal for core
117	WAD4	I	Outside A/D data entry terminal for PSP Physical Disc Mark search
118	WAD5		
119	WAD6		
120	WAD7		Outside A/D data entry terminal for PSP Physical Disc Mark search (MSB)
121	VDC	-	Power supply terminal for core
122	TESTI	I	It is fixation in "L" a test input terminal.
123	WCK		Movement clock for PSP Physical Disc Mark search
124	WAVDD	-	A/D power supply terminal for PSP Physical Disc Mark search
125			
126	WARFI	Ai	Analog RF signal input terminal for PSP Physical Disc Mark search
127	WAVRB		A/D bottom reference terminal for PSP Physical Disc Mark search
128	WAVSS	-	A/D ground terminal for PSP Physical Disc Mark search
129			
130	VSIO	-	Ground terminal for I/O
131	DQ7	I/O	SDRAM data input-output terminal(MSB)
132	DQ6		SDRAM data input-output terminal
133	DQ5		
134	DQ4		
135	VDIO	-	Power supply terminal for I/O
136	DQ3	I/O	SDRAM data input-output terminal
137	DQ2		
138	DQ1		
139	DQ0		SDRAM data input-output terminal (LSB)
140	VSIO	-	Ground terminal for I/O
141	DCLK	O	Clock output terminal for SDRAM
142	DCKE		Clock enable output terminal for SDRAM
143	XWE		Wright enable output terminal for SDRAM
144	XCAS		Column address strobe output terminal for SDRAM
145	XRAS		Row address strobe output terminal for SDRAM
146	VDIO		-
147	TESTO	O	Output terminal for test
148	A11		Address output terminal for SDRAM(MSB)
149	A10		Address output terminal for SDRAM
150	VSC	-	Ground terminal for core

IC BLOCK DIAGRAM AND TERMINAL DESCRIPTIONS-21

Q1301: CXD2753R-5

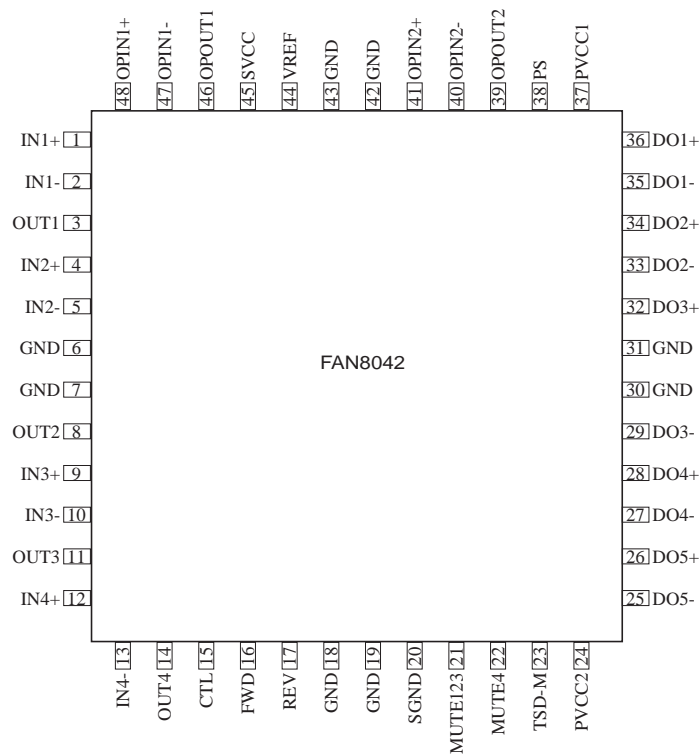
No.	Pin Name	I/O	Pin Function
151	A9	O	Address output terminal for SDRAM
152	A8		
153	VDC	-	Power supply terminal for core
154	A7	O	Address output terminal for SDRAM
155	A6		
156	A5		
157	A4		
158	VSIO	-	Ground terminal for I/O
159	A3	O	Address output terminal for SDRAM
160	A2		
161	A1		
162	A0		Address output terminal for SDRAM (LSB)
163	VDIO	-	Power supply terminal for I/O
164	XSRQ	O	Data request output terminal to input into a front end processor
165	XSHD	I	Input terminal of a header flag output by a front end processor
166	SDCK		Input terminal of a data carrier clock output by a front end processor
167	XSAK		Input terminal of data partial response flag output by a front end processor
168	SDEF		Input terminal of error flag output by a front end processor
169	SD0		The stream data input terminal which is output by a front end processor (LSB)
170	SD1		The stream data input terminal which is output by a front end processor
171	SD2		
172	SD3		
173	SD4		
174	SD5	The stream data input terminal which is output by a front end processor	
175	SD6		
176	SD7		The stream data input terminal which is output by a front end processor (MSB)

Ipu:Pull-up input, Ipd:Pull-down input, Ai:Analog input

IC BLOCK DIAGRAM AND TERMINAL DESCRIPTIONS-6

Q1101: FAN8042 5-CH MOTOR DRIVER-1

PIN ASSIGNMENT

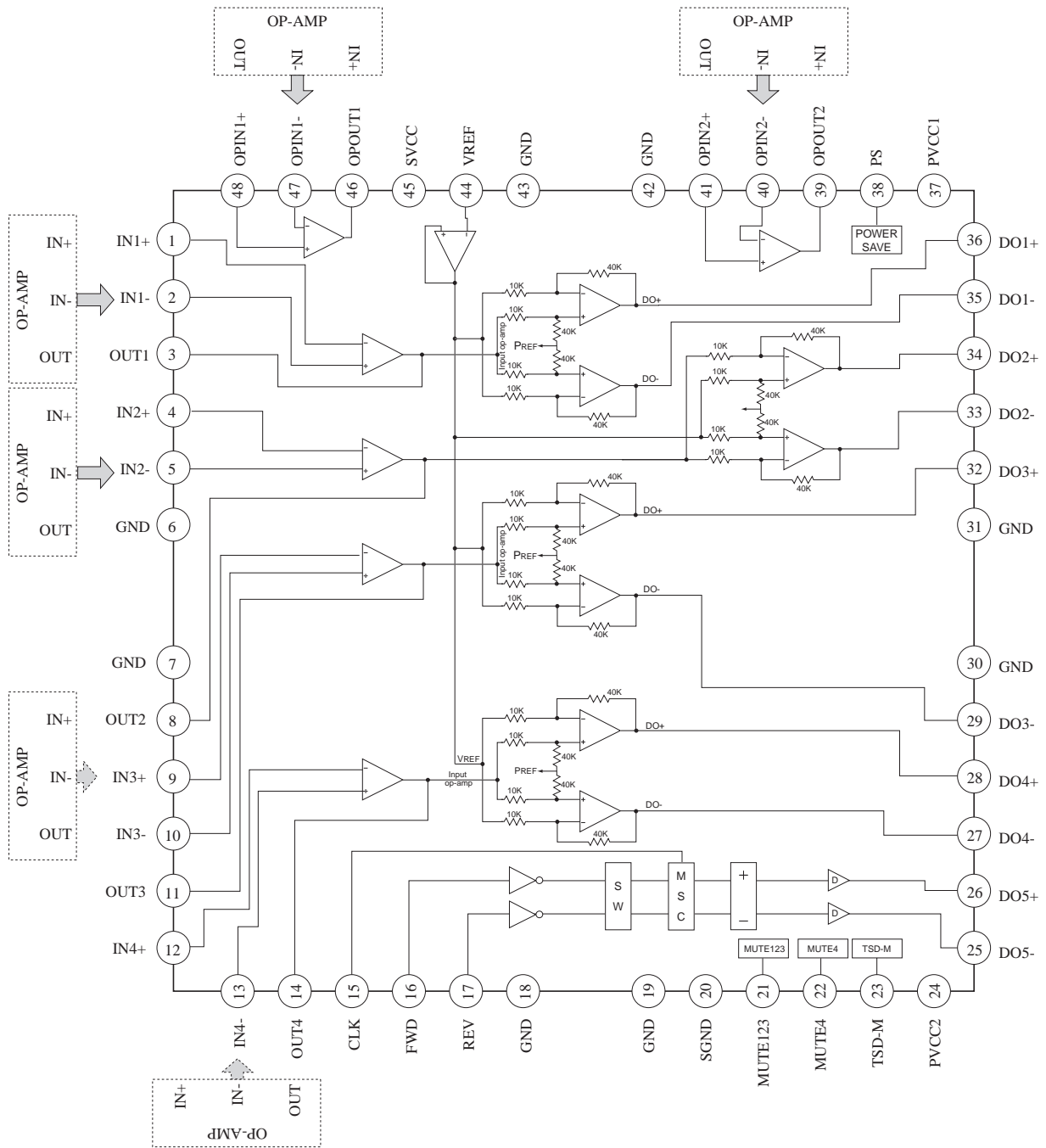


PIN DEFINITION

Pin Number	Pin Name	I/O	Pin Function description
1	IN1+	I	CH1 op-amp input (+)
2	IN1-	I	CH1 op-amp input (-)
3	OUT1	O	CH1 op-amp output
4	IN2+	I	CH2 op-amp input (+)
5	IN2-	I	CH2 op-amp input (-)
6	GND	-	Ground
7	GND	-	Ground
8	OUT2	O	CH2 op-amp output
9	IN3+	I	CH3 op-amp input (+)
10	IN3-	I	CH3 op-amp input (-)
11	OUT3	O	CH3 op-amp output
12	IN4+	I	CH4 op-amp input (+)
13	IN4-	I	CH4 op-amp input (-)
14	OUT4	O	CH4 op-amp output
15	CTL	I	CH5 motor speed control
16	FWD	I	CH5 forward input
17	REV	I	CH5 reverse input
18	GND	-	Ground
19	GND	-	Ground
20	SGND	-	Signal Ground
21	MUTE123	I	Mute for CH1,2,3
22	MUTE4	I	Mute for CH4
23	TSD-M	O	TSD monitor
24	PVCC2	-	Power supply voltage 2 (For CH4, CH5)
25	DO5-	O	CH5 driver output (-)
26	DO5+	O	CH5 driver output (+)
27	DO4-	O	CH4 driver output (-)
28	DO4+	O	CH4 driver output (+)
29	DO3-	O	CH3 driver output (-)
30	GND	-	Ground
31	GND	-	Ground
32	DO3+	O	CH3 driver output (-)
33	DO2-	O	CH2 driver output (-)
34	DO2+	O	CH2 driver output (+)
35	DO1-	O	CH1 driver output (-)
36	DO1+	O	CH1 driver output (+)
37	PVCC1	-	Power supply voltage 1 (For CH1, CH2, CH3)
38	PS	I	Power save
39	OPOUT2	O	Normal op-amp2 output
40	OPIN2-	I	Normal op-amp2 input (-)
41	OPIN2+	I	Normal op-amp2 input (+)
42	GND	-	Ground
43	GND	-	Ground
44	VREF	I	Bias voltage input
45	SVCC	-	Signal & op-amps supply voltage
46	OPOUT1	O	Normal op-amp1 output
47	OPIN1-	I	Normal op-amp1 input (-)
48	OPIN1+	I	Normal op-amp1 input (+)

IC BLOCK DIAGRAM AND TERMINAL DESCRIPTIONS-7

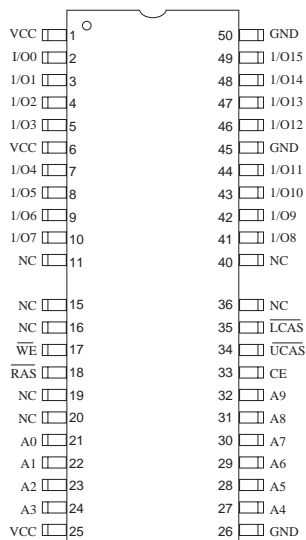
Q1101: FAN8042 5-CH MOTOR DRIVER-2



IC BLOCK DIAGRAM AND TERMINAL DESCRIPTIONS-16

Q1251: IC41LV16100-50T 16-MBIT DYNAMIC RAM

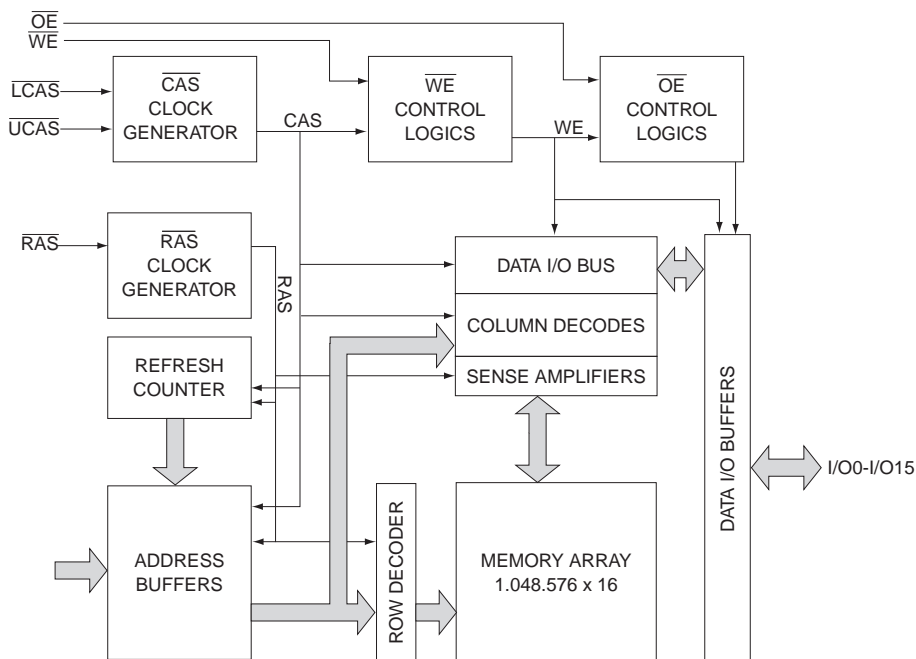
PIN CONFIGURATION



PIN DESCRIPTION

- A0-A9 Address input
- I/O0-15 Data inputs/outputs
- WE Write enable
- OE Output enable
- RAS Row address strobe
- UCAS Upper column address strobe
- LCAS Lower column address strobe
- VCC Power
- GND Ground
- NC No connection

FUNCTIONAL BLOCK DIAGRAM



TRUTH TABLE

Function		RAS	LCAS	UCAS	WE	OE	Address tR/tC	I/O
Standby		H	H	H	X	X	X	High-Z
Read: Word		L	L	L	H	L	ROW/COL	Dout
Read: Lower Byte		L	L	H	H	L	ROW/COL	Lower Byte, Dout Upper Byte, High-Z
Read: Upper Byte		L	H	L	H	L	ROW/COL	Lower Byte, High-Z Upper Byte, Dout
Write: Word (Early Write)		L	L	L	L	X	ROW/COL	Din
Write: Lower Byte (Early Write)		L	L	H	L	X	ROW/COL	Lower Byte, Din Upper Byte, High-Z
Write: Upper Byte (Early Write)		L	H	L	L	X	ROW/COL	Lower Byte, High-Z Upper Byte, Din
Read Write		L	L	L	H-L	H-L	ROW/COL	Dout, Din
EDO Page-Mode Read	1st Cycle	L	H-L	H-L	H	L	ROW/COL	Dout
	2nd Cycle	L	H-L	H-L	H	L	NA/COL	Dout
	Any Cycle	L	L-H	L-H	H	L	NA/NA	Dout
EDO Page-Mode Read	1st Cycle	L	H-L	H-L	L	X	ROW/COL	Din
	2nd Cycle	L	H-L	H-L	L	X	NA/COL	Din
EDO Page-Mode Read-Write	1st Cycle	L	H-L	H-L	H-L	L	ROW/COL	Dout, Din
	2nd Cycle	L	H-L	H-L	H-L	L-H	NA/COL	Dout, Din
Hidden Refresh	1st Cycle	L-H-L	L	L	-H	L	ROW/COL	Dout
	2nd Cycle	L-H-L	L	L	L	X	ROW/COL	Dout
RAS-Only Refresh		L	H	H	X	X	ROW/NA	High-Z
CBR Refresh		H-L	L	L	X	X	X	High-Z

IC BLOCK DIAGRAM AND TERMINAL DESCRIPTIONS-27

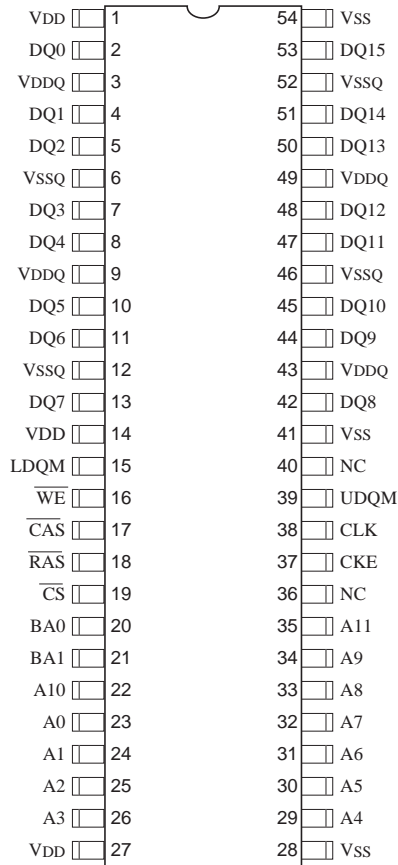
Q2303 : IC42S16400-7T SYNCHRONOUS DYNAMIC RAM

The IC42S16400 are high-speed 67, 108, 864-bit synchronous dynamic ramdam-access memories, organized as 2,097, 152 x 8 x 4 and 1,48, 576 x 16 x 4 (word x bit x bank), respectively.

The synchronous DRAMs achieved high-speed data transfer using the pipeline architecture and clock frequency up to 133MHz for -7.

All input and outputs are synchronized with the positive edge of the clock. The synchronous DRAMs are compatible with Low Voltage TTL.

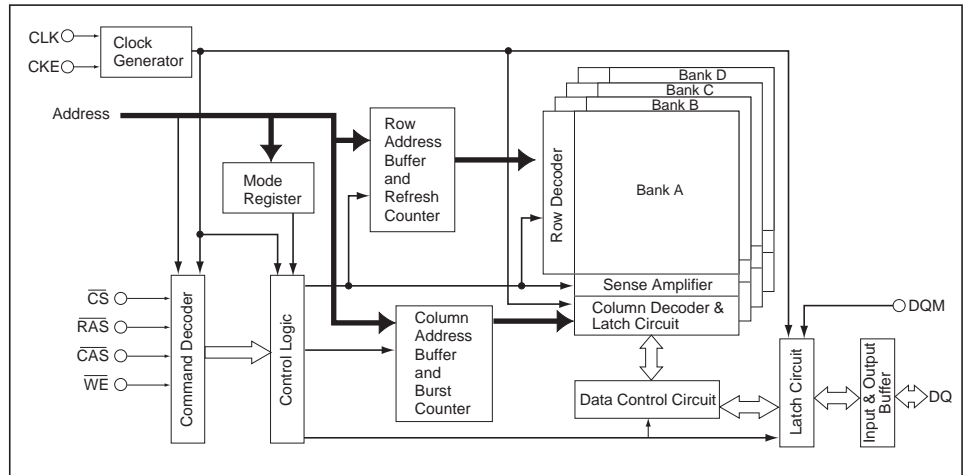
PIN CONFIGURATIONS



PIN DESCRIPTIONS

CLK	Master Clock	DQM	DQ Mask Enable
CKE	Clock Enable	A0 - 11	Address Input
CS	Chip Select	BA0, 1	Bank Address
RAS	Row Address Strobe	VDD	Power Supply
CAS	Column Address Strobe	VDDQ	Power Supply for DQ
WE	Write Enable	VSS	Ground
DQ0 - DQ15	Data I/O	VSSQ	Ground for DQ

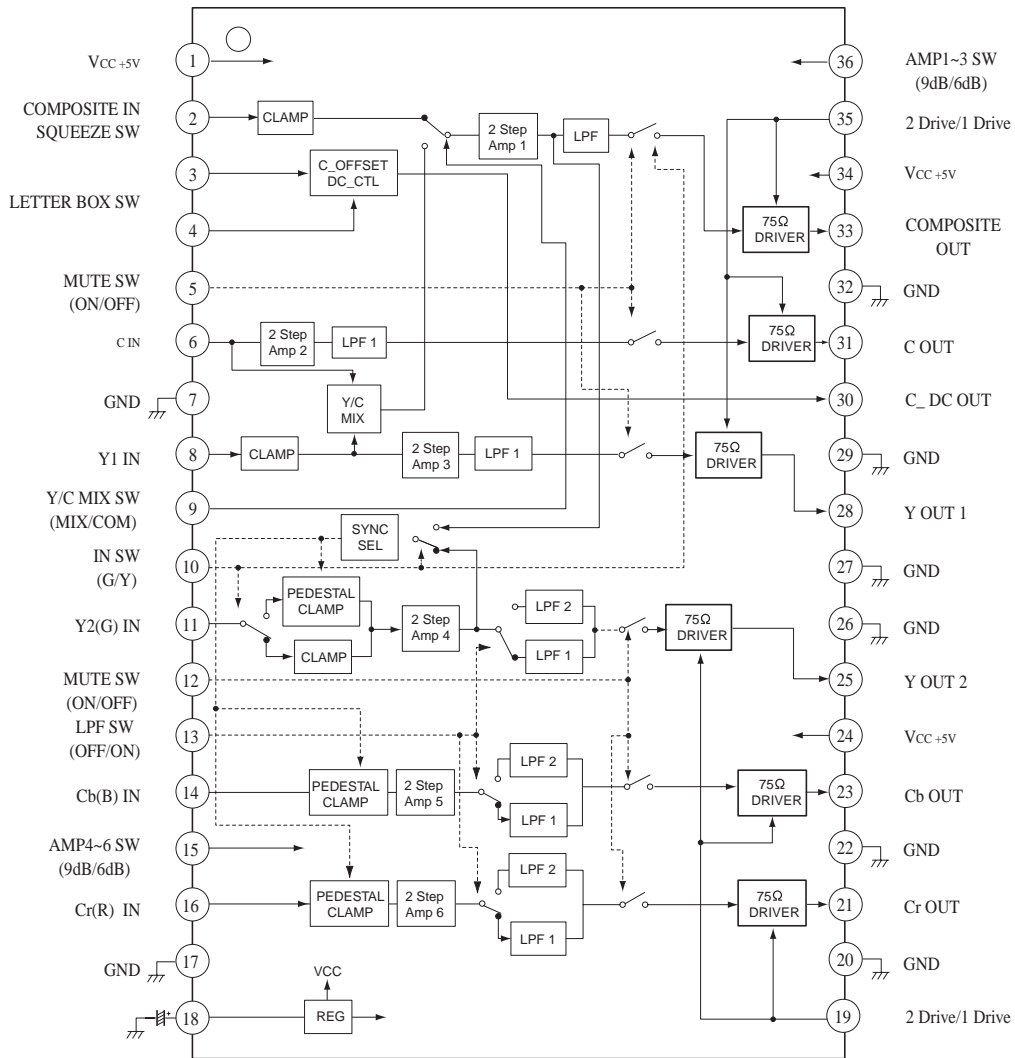
BLOCK DIAGRAM



IC BLOCK DIAGRAM AND TERMINAL DESCRIPTIONS-36

Q6001: LA73054 6-CHANNEL VIDEO DRIVER

Block Diagram

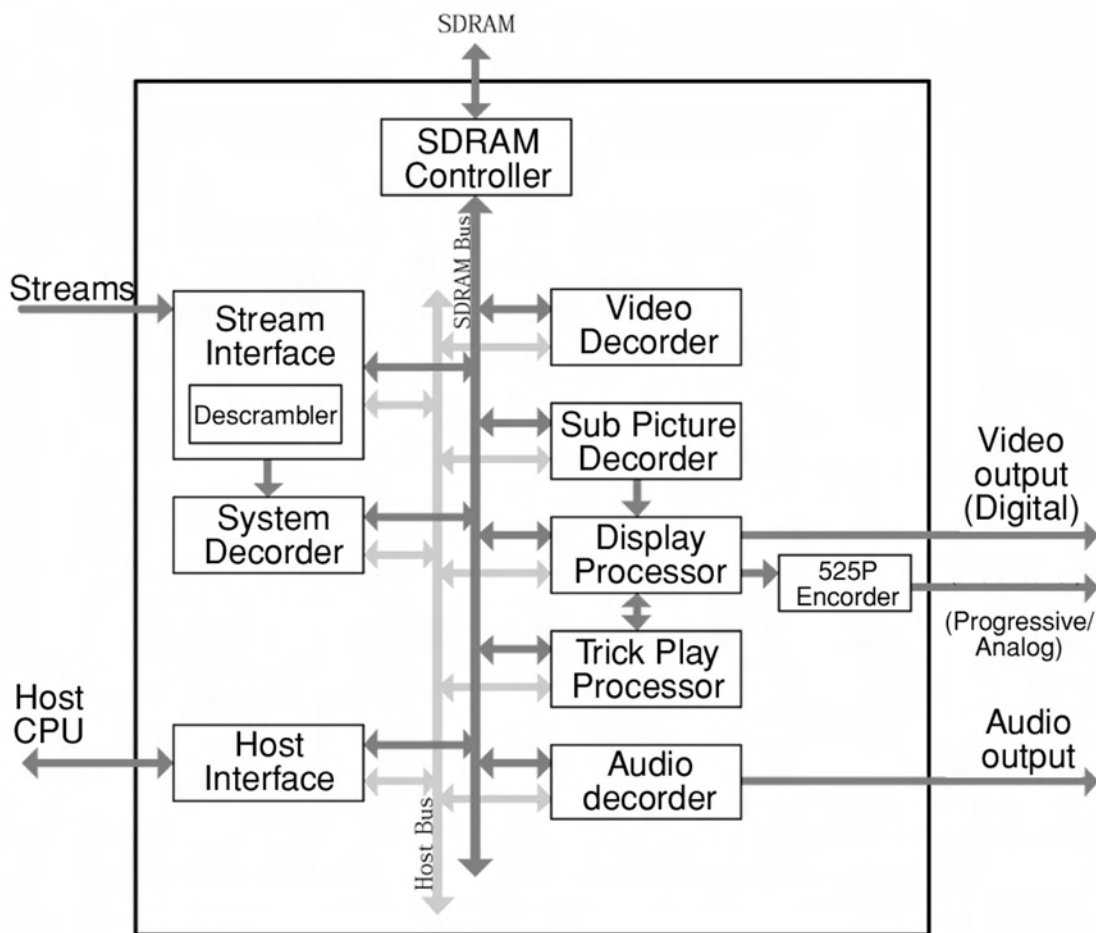


IC BLOCK DIAGRAM AND TERMINAL DESCRIPTIONS-23

IC2001: M65776AFP (DVDM ASSY : IC751)-1

MPEG2 Decoder IC

Block Diagram



IC BLOCK DIAGRAM AND TERMINAL DESCRIPTIONS-24

IC2001: M65776AFP (DVDM ASSY:IC751)-2

No.	Pin Name	Dir.	Pin Functions
201-208	BD[7:0]	IN	Bit stream data entry pin
2	BCLK	IN	Strobe signal of BD pin (clock)
3	BDEN	IN	This order effective / invalidity of data done a sample of by BD pin. It is done a sample with a start edge of BCLK.
4	BDREQ	OUT	Data demand signal
5	BSECH	IN	This order it whether data of BD pin are with top byte of a sector.
84-87 90-95 97102	MD[15:0]	I/O	Data transfer line with SDRAM
53-55 58-63 65,67,69	MA[11:0]	OUT	Address line of SDRAM
66,68	MBA[1:0]	OUT	SDRAM bank choice line
70	DCS	OUT	Chip select of SDRAM
73	DCS2		
74	DCS3		
75	DCS4		
76	DCS5		
77	RAS	OUT	RAS (Row Address Strobe) control line of SDRAM
78	CAS	OUT	CAS (Column Address Strobe) control line of SDRAM
82	DQMU	OUT	DQM control line of SDRAM
83	DQML	OUT	DQM control line of SDRAM
80	DWE	OUT	WE control line of SDRAM
79	MCLK	OUT	Movement clock of SDRAM
183	PXCLK	OUT	27MHz pixel clock
182	PXCLKP	OUT	54MHz pixel clock
157,158, 184-186 188-192	PD[7:0]	OUT	Digital pixel data. Y/Cb/Cr is done multiple of by 8 bit bus, and it is output.
178	CSYNC	IN	Composite SYNC signal input terminal
179	OSDKEY	OUT	OSD key flag output
177	PWD	OUT	The phase comparator output for external synchronization movement
181	HSYNC	OUT	Horizontal synchronizing signal output pin
180	VSNC	OUT	Vertical synchronizing signal output pin
164	AO0	OUT	Serial PCM data for DAC It output Lf/Rf data.
166	AO1	OUT	Serial PCM data for DAC It output C/Sw data.
167	AO2	OUT	Serial PCM data for DAC It output Ls/Rs data.
168	AOD	OUT	Serial PCM data for DAC It is for the down mixture output.
169	AAD	OUT	Ancillary data output
176	DOCLK	OUT	PCM bit clock
159	LRCLK	OUT	Clock for channel distinction of pulse code modulation audio system data(L/R)
173	DACCLK	OUT	Exaggerated sample movement clock of DAC
161	CDBCK	IN	The pulse code modulation bit clock which is input by CDDSP
160	CDLRCK	IN	The L/R clock which is input by CDDSP

IC BLOCK DIAGRAM AND TERMINAL DESCRIPTIONS-25

IC2001: M65776AFP (DVDM ASSY:IC751)-3

No.	Pin Name	Dir.	Pin Functions
163	CDDIN	IN	PCM audio system data which are input by CDDSP
162	CDDATA	IN	Digital audio interface input
170	DOUT0	OUT	Digital audio interface output
171	DOUT1	OUT	Digital audio interface output
6-11 14-19 21-24	HD[15:0]	I/O	Data I/O pin
25,26 29-34 36-39	HA[11:0]	IN	Address input pin
45	BHE	IN	Byte High Enable signal input pin
41	RE	IN	Read Enable signal input pin
44	WE	IN	Write Enable signal input pin
40	CS	IN	Chip Select signal input pin
46	RDY	OUT	The acknowledge signal which shows that read out of data or a note was completed
47	INT1	OUT	It is an interrupt request signal for outside CPU from M65776AFP
48	INT2		
49	INT3		
51	DREQ	OUT	DMA request signal for OSD BitMap transfer
52	DACK	IN	DMA acknowledge signal for OSD BitMap transfer
194,195	HMODE[1:0]	IN	Host interface mode of operation setting pin
117	IREF	IN	Reference electric current input pin
115	AVRI	IN	Reference voltage input pin
120	BIAS1	IN	Bias voltage impression pin of current source
118	BIAS2		
119	PAY	OUT	Analog electric current output pin (for Y)
116	PAB	OUT	Analog electric current output pin (forPb)
122	PAR	OUT	Analog electric current output pin (forPr)
114	DAOUTB	OUT	Be connected to ananalog ground.
113,121, 123	AVDD33	-	3.3V analog power supply
124	AGND33	-	Analog ground
106	CLKIN	IN	System clock input terminal It input 27MHz clock.
105	CLKO	OUT	27MHz clock output
172	ACLKI	IN	Audio system clock input terminal
193	RESET	IN	Hardware reset terminal
196,197, 200	TEST[2:0]	IN	Fixitin "L" potential.
12,27,42, 56,71,88, 103,134, 155,174, 198	VDD18	-	1.8V power supply terminal
13,28,43, 57,72,89, 104,135, 156,175, 199	VDD33	-	3.3V power supply terminal

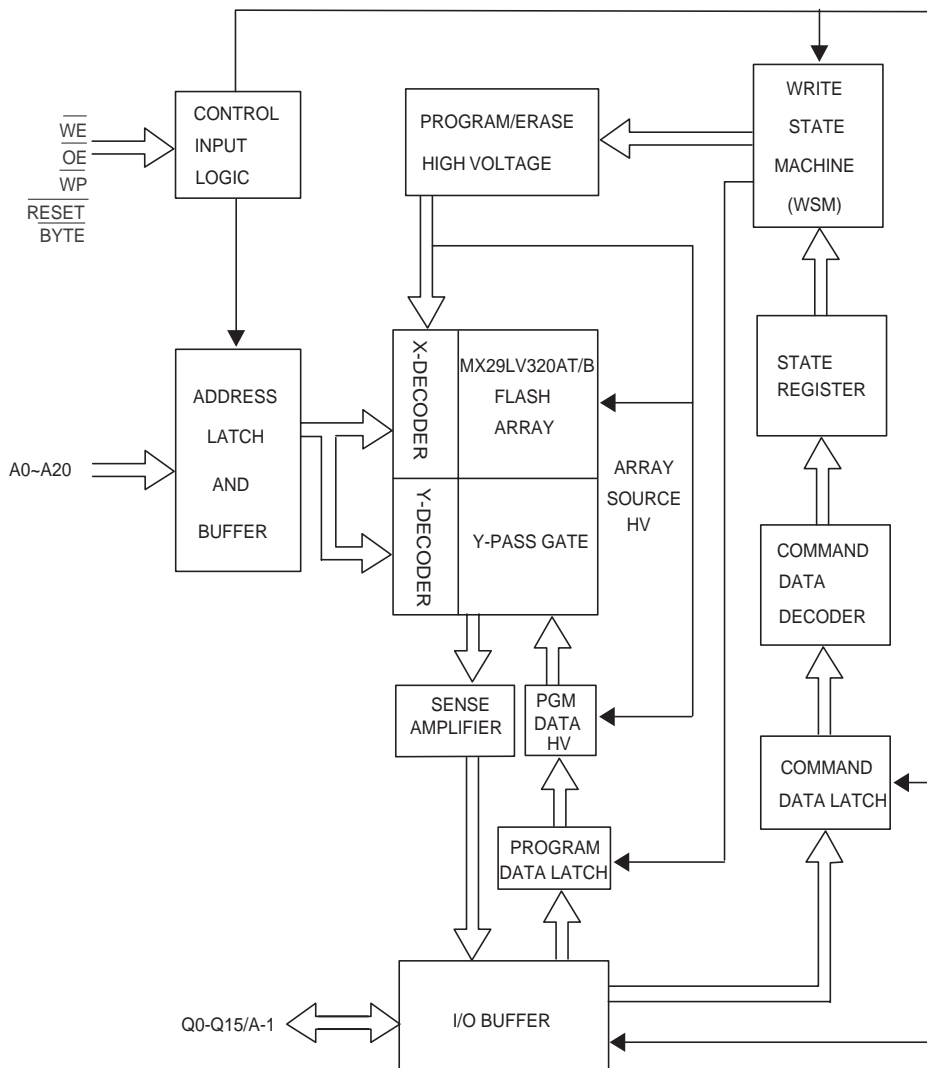
IC BLOCK DIAGRAM AND TERMINAL DESCRIPTIONS-26**IC2001: M65776AFP (DVDM ASSY:IC751)-4**

No.	Pin Name	Dir.	Pin Functions
1,20,35, 50,64,81, 96,112, 125,145, 165,187	GDN	-	Ground terminal
107	AVDD18	-	1.8V power supply terminal for inside PLL
108	AGND18	-	Ground terminal for inside PLL
109-111 126-133 136-144 146-154	NC0	NC	

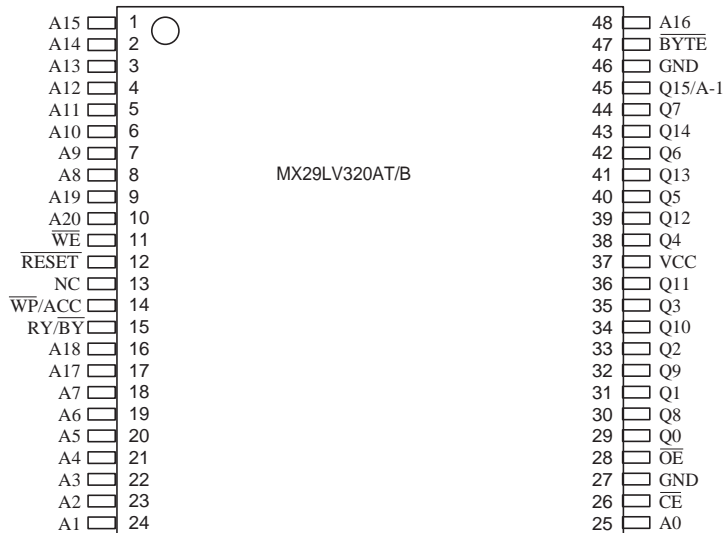
IC BLOCK DIAGRAM AND TERMINAL DESCRIPTIONS-30

Q604 MX29LV320AT/B (32Mbit CMOS Flash memory)

BLOCK DIAGRAM



BLOCK DIAGRAM

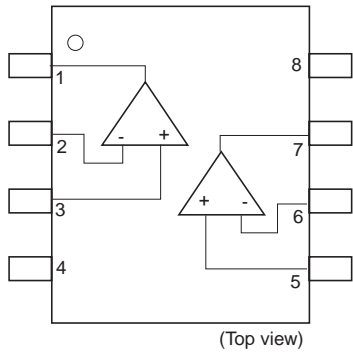


PIN DESCRIPTION

SYMBOL	PIN NAME
A0~A20	Address Input
Q0~Q14	Data Input/Output
Q15/A-1	Q15:Data Input/Output,word mode A-1:LSB Address Input,byte mode
\overline{CE}	Chip Enable Input
\overline{WE}	Write Enable Input
\overline{OE}	Output Enable Input
BYTE	Word/Byte Selection Pin
RESET	Hardware Reset Pin/Sector Protect Unlock
RY/BY	Read/Busy output
VCC	Power Supply Pin (+5V)
$\overline{WP/ACC}$	Hardware Write Protect/Acceleration Pin
GND	Ground Pin

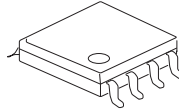
IC BLOCK DIAGRAM AND TERMINAL DESCRIPTIONS-5

Q1002: NJM2115V (2-ch Ope. amp.)



Pin description

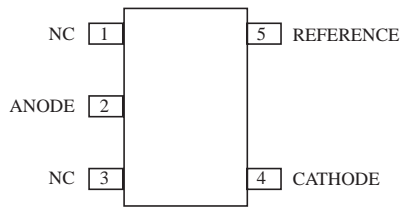
- 1. A OUTPUT
- 2. A -INPUT
- 3. A +INPUT
- 4. V-
- 5. B +INPUT
- 6. B -INPUT
- 7. B OUTPUT
- 8. V+



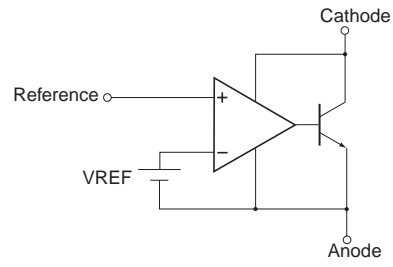
IC BLOCK DIAGRAM AND TERMINAL DESCRIPTIONS-28

Q2401: NJM2373AF (Adjustable High Precision Shunt Regulator)

Pin Configuration



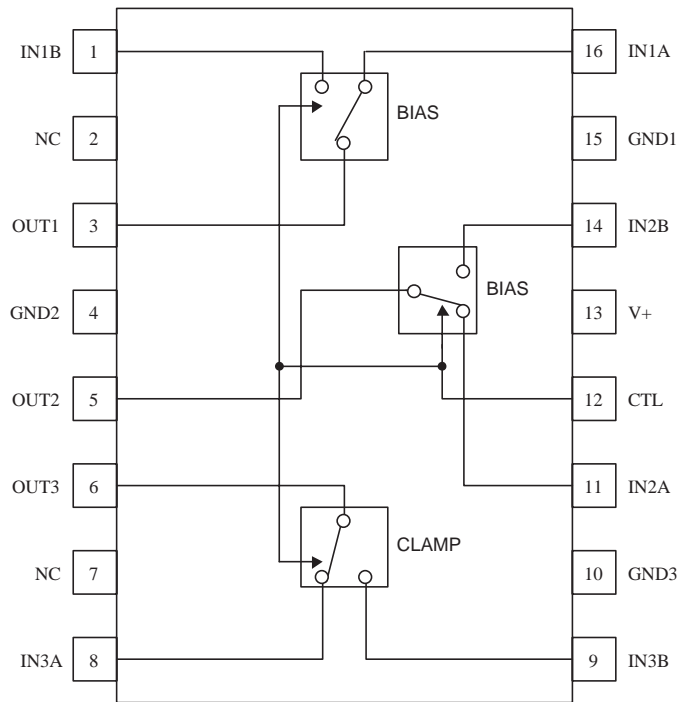
Block Diagram



IC BLOCK DIAGRAM AND TERMINAL DESCRIPTIONS-40

Q6113: NJM2584M

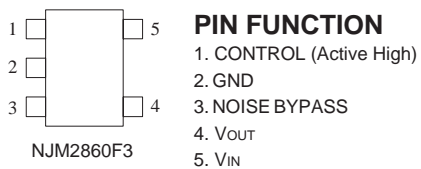
BLOCK DIAGRAM



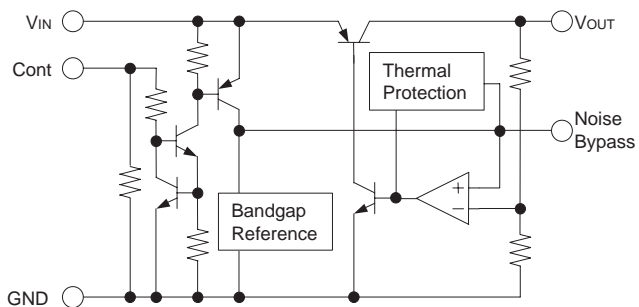
IC BLOCK DIAGRAM AND TERMINAL DESCRIPTIONS-35

Q4302: NJM2860F3-33

PIN CONFIGURATION



EQUIVALENT CIRCUIT

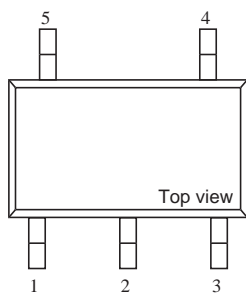


IC BLOCK DIAGRAM AND TERMINAL DESCRIPTIONS-31

Q2002: S-80127CNMC-JKM VOLTAGE DETECTOR (12.7V N-ch open drain, Active L: out)

Q702: S-80130CLMC-JKM VOLTAGE DETECTOR (13.0V CMOS, Active L: out)

PIN CONFIGURATION

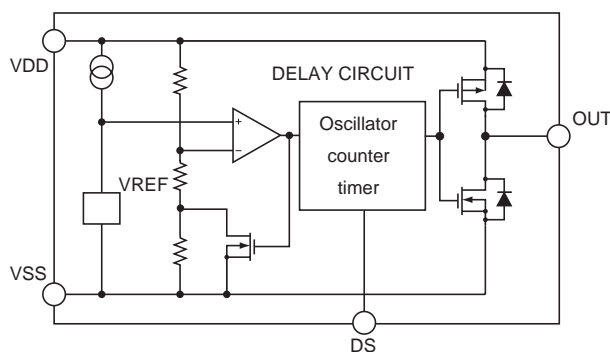


PIN DESCRIPTION

No.	Symbol	Description
1	DS	ON/OFF switch for delay time
2	VSS	GND
3	NC *1	Non-connection
4	OUT	Voltage detection output pin
5	VDD	Voltage input pin

*1. NC pin is electrically open.

BLOCK DIAGRAM



IC BLOCK DIAGRAM AND TERMINAL DESCRIPTIONS-34

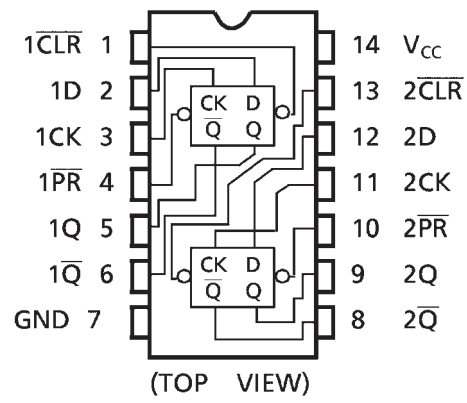
Q4010: TC74VHC74FT

TRUTH TABLE

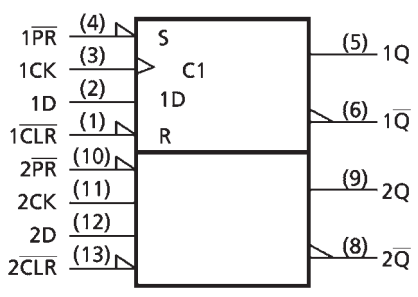
INPUTS				OUTPUTS		FUNCTION
$\overline{\text{CLR}}$	$\overline{\text{PR}}$	D	CK	Q	$\overline{\text{Q}}$	
L	H	X	X	L	H	CLEAR
H	L	X	X	H	L	PRESET
L	L	X	X	H	H	—
H	H	L		L	H	—
H	H	H		H	L	—
H	H	X		Q_n	\overline{Q}_n	NO CHANGE

X : Don't Care

PIN ASSIGNMENT



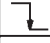


IEC LOGIC SYMBOL



IC BLOCK DIAGRAM AND TERMINAL DESCRIPTIONS-29

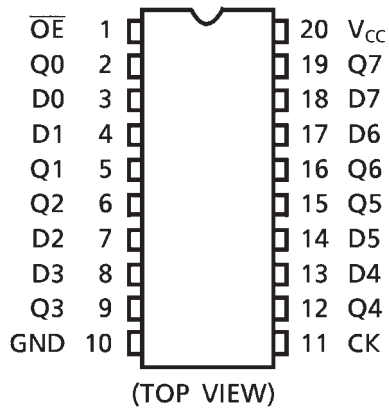
Q2102: TC74VHCT374AFT

TRUTH TABLE

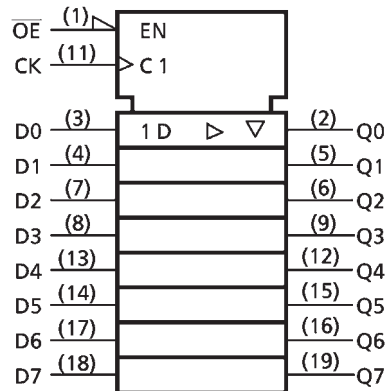
INPUTS			OUTPUT
\overline{OE}	CK	D	
H	X	X	Z
L		X	Q_n
L		L	L
L		H	H

X : Don't Care
 Z : High Impedance
 Q_n : No Change

PIN ASSIGNMENT

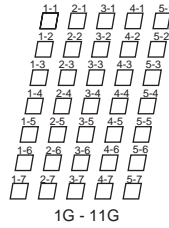
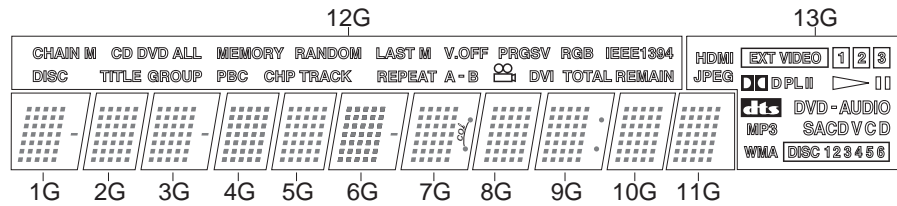


IEC LOGIC SYMBOL



FL TUBE VIEW

Q802: 13-BT-211GNK



ANODE CONNECTION

	1G	2G	3G	4G	5G	6G	7G	8G	9G	10G	11G	12G	13G
P1	1-1	1-1	1-1	1-1	1-1	1-1	1-1	1-1	1-1	1-1	1-1	DISC	HDMI
P2	2-1	2-1	2-1	2-1	2-1	2-1	2-1	2-1	2-1	2-1	2-1	CHAIN M	JPEG
P3	3-1	3-1	3-1	3-1	3-1	3-1	3-1	3-1	3-1	3-1	3-1	CD	EXT VIDEO
P4	4-1	4-1	4-1	4-1	4-1	4-1	4-1	4-1	4-1	4-1	4-1	DVD	(EXT VIDEO)
P5	5-1	5-1	5-1	5-1	5-1	5-1	5-1	5-1	5-1	5-1	5-1	ALL	1
P6	1-2	1-2	1-2	1-2	1-2	1-2	1-2	1-2	1-2	1-2	1-2	TITLE	2
P7	2-2	2-2	2-2	2-2	2-2	2-2	2-2	2-2	2-2	2-2	2-2	GROUP	3
P8	3-2	3-2	3-2	3-2	3-2	3-2	3-2	3-2	3-2	3-2	3-2	MEMORY	-
P9	4-2	4-2	4-2	4-2	4-2	4-2	4-2	4-2	4-2	4-2	4-2	RANDOM	▶
P10	5-2	5-2	5-2	5-2	5-2	5-2	5-2	5-2	5-2	5-2	5-2	PBC	II
P11	1-3	1-3	1-3	1-3	1-3	1-3	1-3	1-3	1-3	1-3	1-3	CHP	DVD
P12	2-3	2-3	2-3	2-3	2-3	2-3	2-3	2-3	2-3	2-3	2-3	TRACK	-AUDIO
P13	3-3	3-3	3-3	3-3	3-3	3-3	3-3	3-3	3-3	3-3	3-3	LAST M	SACD
P14	4-3	4-3	4-3	4-3	4-3	4-3	4-3	4-3	4-3	4-3	4-3	REPEAT	V
P15	5-3	5-3	5-3	5-3	5-3	5-3	5-3	5-3	5-3	5-3	5-3	A	CD
P16	1-4	1-4	1-4	1-4	1-4	1-4	1-4	1-4	1-4	1-4	1-4	- B	MP3
P17	2-4	2-4	2-4	2-4	2-4	2-4	2-4	2-4	2-4	2-4	2-4	V.OFF	dts
P18	3-4	3-4	3-4	3-4	3-4	3-4	3-4	3-4	3-4	3-4	3-4	PRGSV	DQ
P19	4-4	4-4	4-4	4-4	4-4	4-4	4-4	4-4	4-4	4-4	4-4	DVI	D
P20	5-4	5-4	5-4	5-4	5-4	5-4	5-4	5-4	5-4	5-4	5-4	TOTAL	PL
P21	1-5	1-5	1-5	1-5	1-5	1-5	1-5	1-5	1-5	1-5	1-5	RGB	II
P22	2-5	2-5	2-5	2-5	2-5	2-5	2-5	2-5	2-5	2-5	2-5	IEEE1394	WMA
P23	3-5	3-5	3-5	3-5	3-5	3-5	3-5	3-5	3-5	3-5	3-5	REMAIN	DISC
P24	4-5	4-5	4-5	4-5	4-5	4-5	4-5	4-5	4-5	4-5	4-5	⊞	1
P25	5-5	5-5	5-5	5-5	5-5	5-5	5-5	5-5	5-5	5-5	5-5	-	2
P26	1-6	1-6	1-6	1-6	1-6	1-6	1-6	1-6	1-6	1-6	1-6	-	3
P27	2-6	2-6	2-6	2-6	2-6	2-6	2-6	2-6	2-6	2-6	2-6	-	4
P28	3-6	3-6	3-6	3-6	3-6	3-6	3-6	3-6	3-6	3-6	3-6	-	5
P29	4-6	4-6	4-6	4-6	4-6	4-6	4-6	4-6	4-6	4-6	4-6	-	6
P30	5-6	5-6	5-6	5-6	5-6	5-6	5-6	5-6	5-6	5-6	5-6	-	(DISC)
P31	1-7	1-7	1-7	1-7	1-7	1-7	1-7	1-7	1-7	1-7	1-7	-	-
P32	2-7	2-7	2-7	2-7	2-7	2-7	2-7	2-7	2-7	2-7	2-7	-	-
P33	3-7	3-7	3-7	3-7	3-7	3-7	3-7	3-7	3-7	3-7	3-7	-	-
P34	4-7	4-7	4-7	4-7	4-7	4-7	4-7	4-7	4-7	4-7	4-7	-	-
P35	5-7	5-7	5-7	5-7	-	5-7	5-7	5-7	5-7	5-7	5-7	-	-
P36	□	-	□	-	-	□	col	-	col	-	-	-	-

MICROPROCESSOR TERMINAL DESCRIPTION-1

Q802 : 13-BT-211GNK

No.	PIN NAME	SIGNAL NAME	I/O	DESCRIPTION
1	P15/ANI5	NC(GND)	I	Not used. To connect to GND)
2	P16/ANI6	NC(GND)	I	Not used. To connect to GND)
3	P17/ANI7	NC(GND)	I	Not used. To connect to GND)
4	AV _{ss}	AVSS	I	To connect to VSS.
5	P130/ANO0	FL ON/OFF	O	Select the FL power On/ OFF.
6	P131/ANO1	NC(GND)	I	Not used. To connect to GND)
7	AV _{ref1}	AVREF1	I	Reference voltage input pin for D/A converter.
8	P70/SI2/RxD2	NC(GND)	I	Not used. To connect to GND)
9	P71/SO2/TxD2	DSPSI	O	Serial data (SO port) communication port. (Display microprocessor to Mechanism microprocessor)
10	P72/~SCK2/ASCK2	DSPCKX	I	Serial data (CLK port) port. (Mechanism microprocessor to Display microprocessor)
11	P20/SI1/RxD1	DSPSO	I	Serial data (SO port) communication port. (Mechanism microprocessor to Display microprocessor)
12	P21/SO1/TxD1	NC(GND)	I	Not used. To connect to GND)
13	P22/~SCK1/ASCK1	DSPCKX	I	Serial data (CLK port) port. (Mechanism microprocessor to Display microprocessor)
14	P23/PCL	NC(GND)	I	Not used. To connect to GND)
15	P24/BUZ	SUBRST/FPH	O	Sub microprocessor communication reset output port. Re-writing the FLASH ROM data.
16	P25/SI0/SDA0	SUBSO/FPSI	I	Sub microprocessor data input port. Flash ROM Serial Data input pin.
17	P26/SO0	SUBSI/FPSO	O	Sub microprocessor data output port. Flash ROM Serial Data output pin.
18	P27/~SCK0/SCL0	SUBCL/FPCLK	O	Sub microprocessor serial clock output port.
19	P40/AD0	~LADING_SW1	I	Detecting switch 1 input port of loading section.
20	P41/AD1	~LADING_SW2	I	Detecting switch 2 input port of loading section.
21	P42/AD2	~LADING_SW3	I	Detecting switch 3 input port of loading section.
22	P43/AD3	~CURRENT	I	Current detect port for loading motor.
23	P44/AD4	STOP_POS_SENS	I	Detect a position sensor input port of stop position of the roulette.
24	P45/AD5	DISC_SENS	I	Disk detection sensor input terminal.
25	P46/AD6	NC(GND)	I	Not used. To connect to GND)
26	P47/AD7	NC(GND)	I	Not used. To connect to GND)
27	P50/A8	~LOADING_R	O	Loading motor control port. "L"= Right rotation
28	P51/A9	~LOADING_L	O	Loading motor control port. "L"= Left rotation
29	P52/A10	~ROTR	O	Roulette motor control port. "L"= Clockwise
30	P53/A11	~ROTL	O	Roulette motor control port. "L"= Counter clockwise
31	P54/A12	ROTHI	O	Speed control port of loading motor.
32	P55/A13	LOADHI	O	Speed control port of loading motor.
33	V _{ss1}	VSS1	I	Power supply port without analog circuit. To connect to GND.
34	P56/A14	NC(GND)	I	Not used. To connect to GND)
35	P57/A15	R232RES	O	Open port.
36	P60/A16	R232REQ	I	Open port.
37	P61/A17	R232BSY	I	Open port.
38	P62/A18	R232SI	I	Open port.
39	P63/A19	R232SO	O	Open port.
40	P64/~RD	R232SCK	O	Open port.
41	P65/~WR	NC(GND)	I	Not used. To connect to GND)
42	P66/~WAIT	NC(GND)	I	Not used. To connect to GND)
43	P67/ASTB	NC(GND)	I	Not used. To connect to GND)
44	P30/TO0	~VDOFF	O	Video off signal output port.
45	P31/TO1	NC(GND)	I	Not used. To connect to GND)
46	P32/TO2	AMUT	O	Analog mute signal output port.
47	P33/TI1	PWRCTR	O	power control signal output port. "H"= power ON
48	P34/TI2	NC(GND)	I	Not used. To connect to GND)
49	P35/TIO0	NC(GND)	I	Not used. To connect to GND)
50	P36/TIO1	NC(GND)	I	Not used. To connect to GND)

MICROPROCESSOR TERMINAL DESCRIPTION-2

Q802 : 13-BT-211GNK

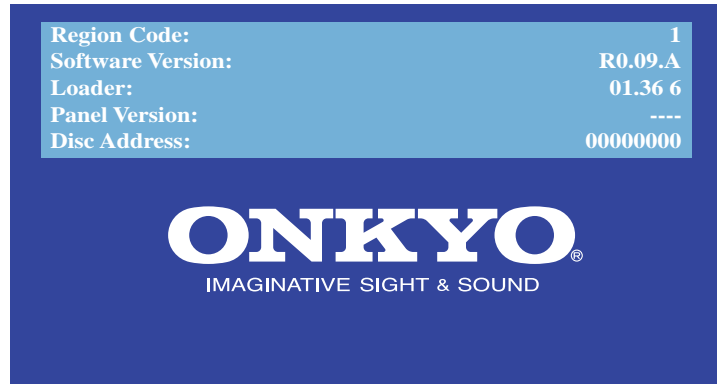
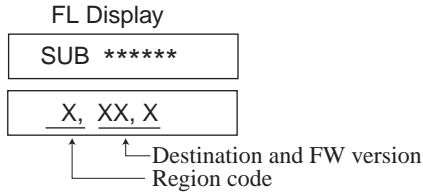
No.	PIN NAME	SIGNAL NAME	I/O	DESCRIPTION
51	P37/EXA	NC(GND)	I	Not used. To connect to GND)
52	P120/RTP0	NC(GND)	I	Not used. To connect to GND)
53	P121/RTP1	NC(GND)	I	Not used. To connect to GND)
54	P122/RTP2	NC(GND)	I	Not used. To connect to GND)
55	P123/RTP3	NC(GND)	I	Not used. To connect to GND)
56	P124/RTP4	RIIN	I	RI system code input port.
57	P125/RTP5	~RIOUT	O	RI system code output port.
58	P126/RTP6	NC(GND)	I	Not used. To connect to GND)
59	P127/RTP7	NC(GND)	I	Not used. To connect to GND)
60	~RESET	~RESET		Reset pin of microprocessor.
61	P00/INTP0	~EX_IRIN	I	Input terminal of the remote control signal from multi room.
62	P01/INTP1	~POFF	I	Power failure detection terminal
63	P02/INTP2/NMI	DSTBX	I	Serial data (STB) communication signal output port.
64	P03/INTP3	SUBREQ	I	Communication between microcomputers. Sub microprocessor Data Ready detection terminal.
65	P04/INTP4	NC(GND)	I	Not used. To connect to GND)
66	P05/INTP5	NC(GND)	I	Not used. To connect to GND)
67	Vss0	VSS0	I	power supply pin. To connect to GND.
68	Vdd1	VDD1	I	power supply pin. To connect to +5V.
69	X2	X2	O	Connect the resonator (5MHz) terminal for clock oscillation of main system
70	X1	X1	I	Connect the resonator (5MHz) terminal for clock oscillation of main system
71	TEST/Vpp		I	Internal connection pin. To connect to GND.
72	XT2	XT2	O	Not used. Open connection.
73	XT1	XT1	I	Not used. To connect to VDD0 pin.
74	Vdd0	VDD0	I	power supply port. To connect to +5V.
75	AVdd	AVREF0	I	Reference voltage input port of A/D converter.
76	P10/ANI0	DVDBAND	I	Destination judgment port.
77	P11/ANI1	MODE1	I	Mode select input port 1.
78	P12/ANI2	MODE2	I	Mode select input port 2.
79	P13/ANI3	NC(GND)	I	Not used. To connect to GND)
80	P14/ANI4	NC(GND)	I	Not used. To connect to GND)

UPDATE FIRMWARE-1

TV monitor

1 Check the version of firmware

1. Press the "STOP" key, while the set press the "DISPLAY" key in state of No DISC condition.
2. Press the "DISPLAY" key.
Displayed on FL tube.



3. Press the "STANDBY" key and finish the FW check mode.

2 Writing the firmware in CD-R

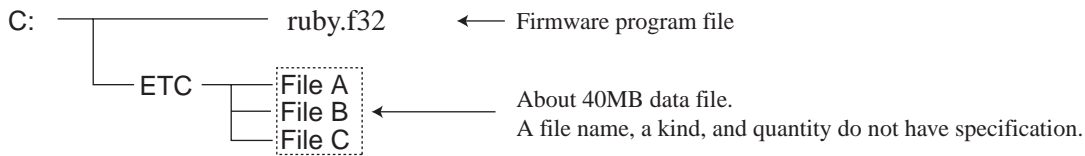
Prepare the required data file.

1. ruby.f32
"ruby.f32" is the program file for firmware.
2. Dummy data file. (About 40MB)

NOTE: Every version and destination has same file name.

Make the file holder

Make the holder on the personal computer and make the required file the following tree structures.



NOTE: 1. Writing format is ISO9660 style.
2. Finalize are single session.

3 Check operation of unit

Check that the compact disc can be play normally.
If compact disc cannot be play normally, cannot do the update firmware.

4 Connect the display to the unit

To connect "VIDEO IN" terminal of TV and "VIDEO" terminal of the unit.

5 Update firmware

1. Press the "OPEN/CLOSE" button of the unit and tray is open.
2. Set the CD-R on disc-I bay.



It is displayed on TV as "WRITING." → "DONE"
After writing is completed, the tray opens automatically.

3. Disc is taken out.
After Tray has opened, the "DISPLAY" button is pushed and push the "STOP" button.
Press "STANDBY/ON" button.

6 Check the version of firmware

Refer to item 1

UPDATE FIRMWARE-2

Exchange of DVD main board (NADG-7807)

1 Update firmware

Check the version of present firmware.

DVD main board is not necessarily in the newest version.

2 Setting the region code

[Preparation]

Remote controller: RC-484M Part No. 24140484

❶ Press the "DVD" key and "2" key of the remote controller.

❷ Press the "RETURN" key.

❸ Press the number key of region code.

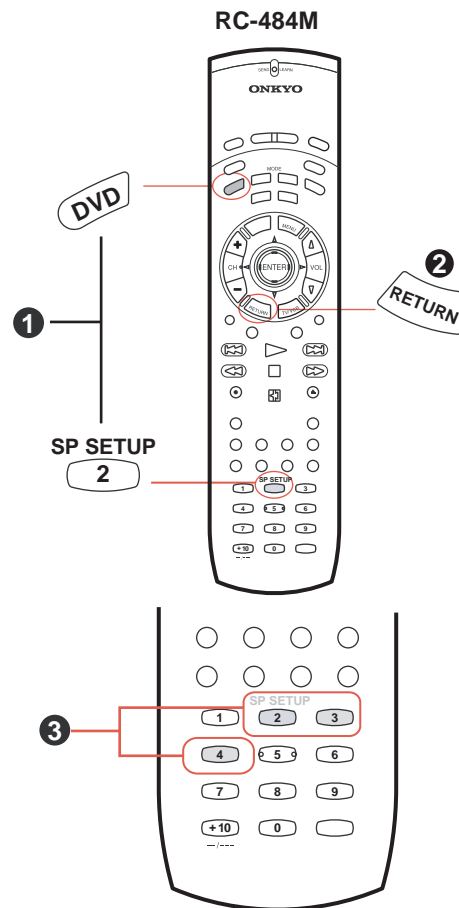
CDD1N type (U.S.A. model)

Region-1 Press the 1 key

CPA4P type (Australian model)

Region-4 Press the 4 key

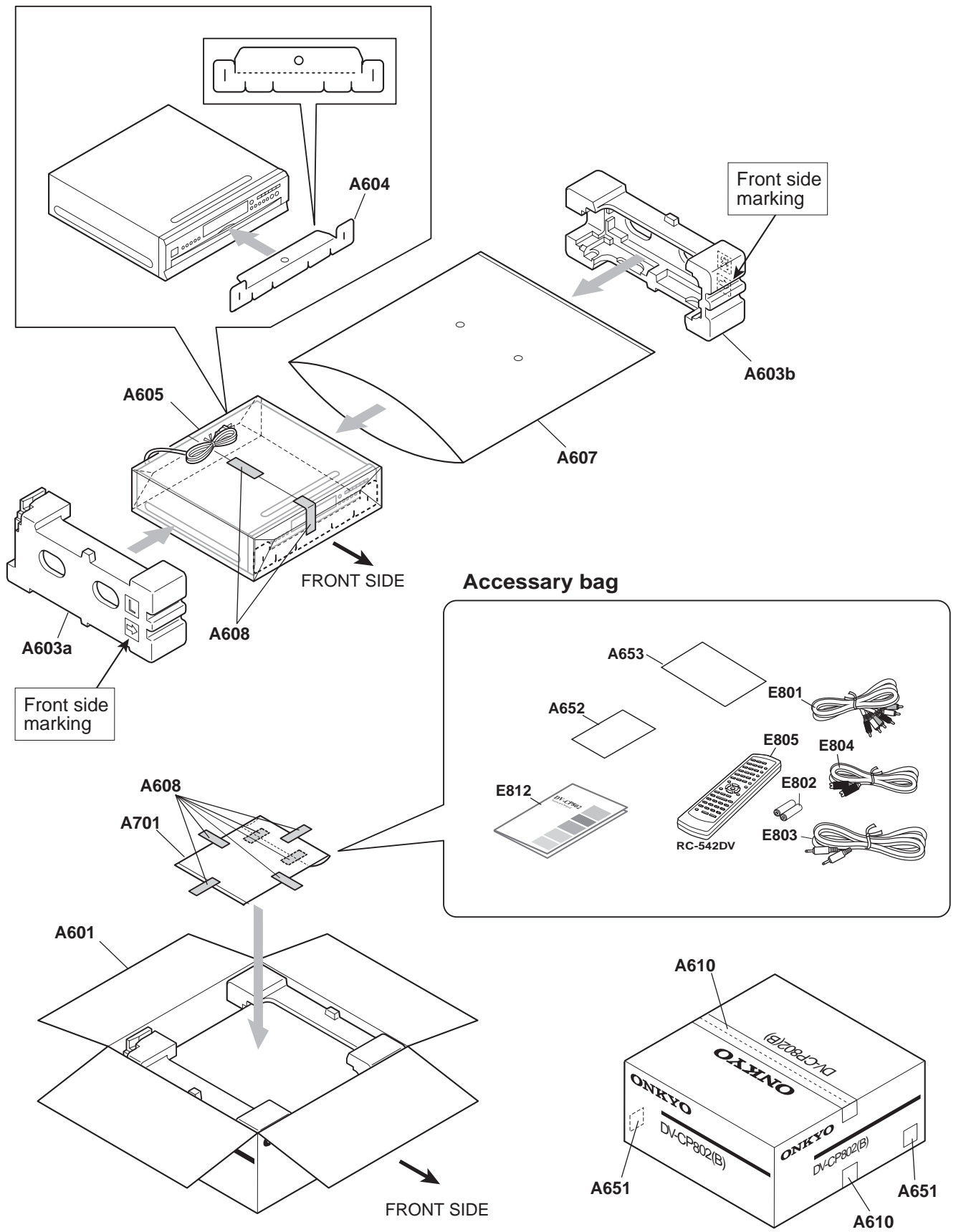
Press the STOP button of unit.



3 Check the version of the firmware and region code

Refer to procedure **step 1**

PACKING PROCEDURES



EXPLODED VIEW PARTS LIST

DV-CP802

NOTE : THE COMPONENTS IDENTIFIED BY THE MARK
! ARE CRITICAL FOR RISK OF FIRE AND ELECTRIC SHOCK. REPLACE ONLY WITH

NSP : Not Service Parts

	REF NO	NAME	DESCRIPTION	QTY	PART NO	REMARKS
EXP VIEW	A001	F BRACKET		1	4154-7201-1	BLACK COLOR MODEL
EXP VIEW	A001	F BRACKET		1	4154-7203-1	SILVER COLOR MODEL
EXP VIEW	A003	CLEAR PLT		1	3717-1311-0	BLACK COLOR MODEL
EXP VIEW	A003	CLEAR PLT		1	3717-1312-0	SILVER COLOR MODEL
EXP VIEW	A004	SHEET	(F)	1	3000-9707-1	
EXP VIEW	A005	KNOB	(VO)AS	1	2446-8601-0	BLACK COLOR MODEL
EXP VIEW	A005	KNOB	(VO)AS	1	2446-8602-0	SILVER COLOR MODEL
EXP VIEW	A008	BRACKET	(F)	1	4135-4031-1	
EXP VIEW	A010	CLIP	CS-1U	2	4135-3291-0	BLACK COLOR MODEL
EXP VIEW	A011	CUSHION		1	4149-0551-0	
EXP VIEW	A012	SCREW	3TTB+8B	42	2854-3008-0000	
EXP VIEW	A021	CHASSIS		1	1404-7621-2	
EXP VIEW	A023	HOLDER	KGLS-10RT	1	4154-5291-0	
EXP VIEW	A025	WS CLAMP	CLAMP WS-2W	1	6360-9640-0	
EXP VIEW	A028	TAPE	CLOTH-8U	3	1635-0110-0	
EXP VIEW	A029	ISO PLT		1	4155-0311-0	
EXP VIEW	A031	BRACKET	(R)	1	4135-4551-0	
EXP VIEW	A032	BRACKET	(FC)	1	4135-4531-0	
EXP VIEW	A033	BRACKET	(MAIN)	1	4135-4541-0	
EXP VIEW	A036	BUSHING	S-RELIEF #2271	1	4152-3851-0	!
EXP VIEW	A038	PLATE	(REAR)	1	4155-0161-0	
EXP VIEW	A045	SCREW	3TTW+8B(BC)	11	2950-3008-3010	
EXP VIEW	A051	HOLDER	KGLS-4S	1	6360-9710-0	
EXP VIEW	A053	BUSHING		1	6360-9700-1	!
EXP VIEW	A054	TAPE	TAPE(CLOTH-16U)	3	9500-9007-0	
EXP VIEW	A055	HOLDER	(CLAMP) WS-1NS	1	6360-9720-0	
EXP VIEW	A056	HOLDER	HOLDER(VSC-10)	1	6360-9730-0	
EXP VIEW	A061	LEG	LEG	4	4154-6171-0	
EXP VIEW	A062	CUSHION		8	4157-0311-0	
EXP VIEW	A065	CUSHION	(IIR)	2	4149-0581-0	BLACK COLOR MODEL
EXP VIEW	A069	SPACER	t0.5x8x3.2	1	4155-0631-0	BLACK COLOR MODEL
EXP VIEW	A071	CUSHION		2	4149-0591-0	BLACK COLOR MODEL
EXP VIEW	A072	TAPE	(CU)	2	4135-4941-0	BLACK COLOR MODEL
EXP VIEW	A081	DOOR	(TRAY)	1	4154-6121-2	BLACK COLOR MODEL
EXP VIEW	A081	DOOR	(TRAY)	1	4154-6122-2	SILVER COLOR MODEL
EXP VIEW	A084	SHEET	(BUTYL)t0.75x20x20	1	4157-0551-0	
EXP VIEW	A085	SHEET	(BUTYL)	1	4157-0561-0	
EXP VIEW	A101	REAR PANEL		1	1405-3701-0	
EXP VIEW	A103	SCREW	3TTB+8B(BC)	28	2954-3008-3000	
EXP VIEW	A111	LABEL(DVD2)		1	3000-9443-0	
EXP VIEW	A201	FACET	(S)	1	3716-9806-0	
EXP VIEW	A205	FACET	(LIGHT)	1	3716-9706-1	
EXP VIEW	A208	BADGE	BADGE	1	4154-6151-0	BLACK COLOR MODEL
EXP VIEW	A208	BADGE	BADGE	1	4154-6211-0	SILVER COLOR MODEL
EXP VIEW	A221	COVER		1	1404-9401-0	BLACK COLOR MODEL
EXP VIEW	A221	COVER		1	1404-9402-0	SILVER COLOR MODEL
EXP VIEW	A301	F PANEL		1	1405-0721-0	BLACK COLOR MODEL
EXP VIEW	A301	F PANEL		1	1405-0722-0	SILVER COLOR MODEL
EXP VIEW	E101	WIRE TIE	BINDER(CLAMPER)UL	7	6360-9570-0	
EXP VIEW	F101	FUSE	1.6A-UL/T-237	1	5120-0130-0	!
EXP VIEW	F101 or	FUSE	1.6A-T/UL-ST2	(1)	5120-1000-0	!
EXP VIEW	P1001	FFC	NCFCDD-26003	1	7012-6553-0	
EXP VIEW	P1101	SOCKET AS	NSAS-12P1453	1	7012-6843-0	
EXP VIEW	P1302	SOCKET AS	NSAS-40P1364	1	7012-6813-0	
EXP VIEW	P2001	SOCKET AS	NSAS-28P1362	1	7012-6814-0	
EXP VIEW	P2002	SOCKET AS	NSAS-30P1363	1	7012-6815-0	
EXP VIEW	P2003	SOCKET AS	NSAS-40P1454	1	7012-6841-0	
EXP VIEW	P2004	SOCKET AS	NSAS-32P1375	1	7012-6817-0	
EXP VIEW	P2005	SOCKET AS	NSAS-12P1444	1	7012-6818-0	
EXP VIEW	P2701	SOCKET AS	NSAS-14P1452	1	7012-6842-0	

EXP VIEW	P2901	SOCKET AS	NSAS-12P1206	1	7012-6820-0	
EXP VIEW	P6503	SOCKET AS	NSAS-10P1415	1	7012-6821-0	BLACK COLOR MODEL
EXP VIEW	P707	FFC	NCFC6-063012	1	7012-6522-0	
EXP VIEW	P901	AC CORD	AS-UC-2	1	7012-6781-0	!
EXP VIEW	P901 or	AC CORD	AS-UC-2	(1)	7012-6533-1	!
EXP VIEW	U01	DVD Main circuit PC board assy	NADG-8257-2A	1	PCB-Q0180C-MPEG	
EXP VIEW	U02	Audio output terminal PC board assy	NAAF-8280-1A	1	1H522580-1A	
EXP VIEW	U03	Standby switch PC board assy	NASW-8281-1A	1	1H522581-1A	
EXP VIEW	U05	Disc sensor PC boards assy	NAETC-8283-1A	1	1H522583-1A	
EXP VIEW	U06	Illumination PC board assy	NADIS-8284-1A	1	1H522584-1A	
EXP VIEW	U07	Roulette motor PC board assy	NAETC-8285-1A	1	1H522585-1A	
EXP VIEW	U08	Loading motor PC board assy	NAETC-8286-1A	1	1H522586-1A	
EXP VIEW	U09	Video output terminal PC board assy	NAVD-8289-1A	1	1H522589-1A	
EXP VIEW	U10	DVD Mechanism control PC board assy	NADG-8290-1A	1	1H522590-1A	
EXP VIEW	U11	Digital output terminal PC board assy	NADG-8291-1A	1	1H522591-1A	
EXP VIEW	U12	Front display PC board assy	NADIS-8292-1A	1	1H522592-1A	
EXP VIEW	U13	Connection PC board	NAETC-8293-1A	1	1H522593-1A	
EXP VIEW	U14	Power supply unit	NGPS-0049(100-120V)	1	8910-0910-1	!

DV-CP802

DVD MECHANISM PARTS LIST

	REF NO	NAME	DESCRIPTION	QTY	PART NO	REMARKS
MECHA	M001	RAIL		1	4154-6031-2	
MECHA	M002	LOADING MOTOR ASSY		1	Q0090C-MOTCC	(M002)+(M003)
MECHA	(M002)	MOTOR	CCM07B-045R1-1A	1	8913-6002-1	NSP
MECHA	(M003)	PULLEY		1	4154-6001-0	NSP
MECHA	M004	SCREW	2.6TTP+4S	2	2900-2604-0000	
MECHA	M005	TAPE	CLOTH-8U	1	1635-0110-0	
MECHA	M006	RBR BELT	DVCP701	1	4157-0281-0	
MECHA	M007	GEAR	(PULLEY)	1	4154-6061-0	
MECHA	M008	GEAR	(A)	1	4154-6091-0	
MECHA	M009	GEAR	(MAIN)	1	4154-6071-1	
MECHA	M010	GEAR	(CAM)	1	4154-6101-0	
MECHA	M011	SCREW	SCREW	3	4135-3301-0	
MECHA	M012	CUSHION		2	4157-0591-0	
MECHA	M020	DVD M	KHM-280AAA	1	4111-1091-0	
MECHA	M021	HOLDER	(PU)	1	4155-0181-0-*	
MECHA	M022	CHASSIS	(SUB)	1	4154-6041-1	
MECHA	M023	INSULATOR	(A)	2	4154-6141-0	
MECHA	M024	INSULATOR	(B)	2	4157-0261-0	
MECHA	M025	SCREW	SCREW	4	4135-3301-0	
MECHA	M026	SPRING	(DV-CP701)	1	2510-3591-0	
MECHA	M030	TRAY		1	4154-6011-5	
MECHA	M031	ROLLER	DVCP701	4	4154-6131-0	
MECHA	M032	ROULETTE	(HS)	1	4154-6023-1	
MECHA	M034	RETAINER		1	4135-3881-0	
MECHA	M035	CUSHION		1	4157-0532-0	
MECHA	M037	BRACKET AS	(M)	1	8901-4650-1	(M037a)+(M037b)
MECHA	(M037a)	BRACKET	(M)	{ 1 }	4135-3221-1	NSP
MECHA	(M037b)	SHAFT	(M)	{ 1 }	-	NSP
MECHA	M038	ROULETTE MOTOR ASSY		1	Q0090C-MOTPW	(M038)+(M039)+(M045)
MECHA	(M038)	MOTOR	PWN10EA02D	1	8913-6003-0	NSP
MECHA	(M039)	GEAR	(WORM)	1	4154-6081-0	NSP
MECHA	(M045)	WASHER	0.5t*2.1*6	2	4155-0171-0	NSP
MECHA	M040	SCREW	2P+3F(BC)	2	2900-2003-0000	
MECHA	M041	GEAR	(WHEEL)	1	4154-5991-0	
MECHA	M042	WASHER	(B)	1	4154-4491-0	
MECHA	M044	TAPE	CLOTH-8U	1	1635-0110-0	
MECHA	M050	ARM		1	4154-6051-0	
MECHA	M051	CUSHION		1	4157-0532-0	
MECHA	M052	CAP	(CHC)	1	4154-6161-0	
MECHA	M053	YOKE	(CHB)	1	4135-3201-1	
MECHA	M054	MAGNET	(CHB)	1	4135-3211-0	

PACKING PARTS LIST

	REF NO	NAME	DESCRIPTION	QTY	PART NO	REMARKS
PACKING	A601	CARTON		1	1436-9701-0-2	BLACK COLOR MODEL
PACKING	A601	CARTON		1	1436-9702-0-2	SILVER COLOR MODEL
PACKING	A603a	PAD	(L)	{ 1}	1490-4381-0	
PACKING	A603b	PAD	(R)	{ 1}	1490-4391-0	
PACKING	A604	SHEET	(DR)	1	4154-6221-0	
PACKING	A605	SHEET		1	1450-6910-0	
PACKING	A607	POLY BAG	700*600	1	1497-7462-0	
PACKING	A608	TAPE	NITTO NO.29	1	9500-9012-0	
PACKING	A610	PP TAPE	W48 OPP TAPE	1	9500-0070-0	
PACKING	A651	UPC LABEL		1	3001-0118-0	BLACK COLOR MODEL
PACKING	A651	UPC LABEL		1	3001-0119-0	SILVER COLOR MODEL
PACKING	A652	WRNTY CARD	(ONKYO)	1	3050-2491-1	
PACKING	A653	INST SHEET	(PAC)	1	3050-2521-0	
PACKING	A701	POLY BAG	350*250	1	1497-7382-0	
PACKING	E801	PIN CORD AS	RCA3P(YWR)	1	7012-6531-0	
PACKING	E802	BATTERY	R6/AA(UM-3)	2	4060-0930-0	
PACKING	E802 or	BATTERY	R6/AA(UM-3)	(2)	4060-0930-0	
PACKING	E803	PLUG CORD	3.5-MINI PLUG (RI)	1	7012-6539-0	
PACKING	E804	CORD AS	(S CORD)	1	7012-6532-0	
PACKING	E805	REMO CON	RC-542DV	1	8912-0036-0	
PACKING	E812	INS MANUAL	En(DV-CP802)	1	4301-7136-0	

PC BOARD PARTS LIST

U01 DVD Main circuit PC board assy

	REF NO	NAME	DESCRIPTION	QTY	PART NO	REMARKS
PC BOARD	C1001	C-CERA C	CK725B1C-104K1	1	150D-104K-P-AC	
PC BOARD	C1002	C-CERA C	CK725B1C-104K1	1	150D-104K-P-AC	
PC BOARD	C1003	C-CERA C	CC725CH1H-220J1	1	15CH-220J-P-AC	
PC BOARD	C1004	C-CERA C	CC725CH1H-220J1	1	15CH-220J-P-AC	
PC BOARD	C1005	C-CERA C	CC725CH1H-220J1	1	15CH-220J-P-AC	
PC BOARD	C1006	C-CERA C	CC725CH1H-220J1	1	15CH-220J-P-AC	
PC BOARD	C1007	C-CERA C	CK725B1H-222K1	1	150F-222K-P-AC	
PC BOARD	C1008	C-CERA C	CK725B1H-222K1	1	150F-222K-P-AC	
PC BOARD	C1009	C-CERA C	CK725B1H-222K1	1	150F-222K-P-AC	
PC BOARD	C1010	C-CERA C	CK725B1H-222K1	1	150F-222K-P-AC	
PC BOARD	C1011	C-CERA C	CC725CH1H-331J1	1	15CH-331J-P-AC	
PC BOARD	C1012	C-CERA C	CK725F1E-104Z1	1	150F-104K-P-AC	
PC BOARD	C1013	CHIP ELECT C	CEWX16V-22M	1	157D-226M-3-JJI	
PC BOARD	C1014	C-CERA C	CK725F1E-104Z1	1	150F-104K-P-AC	
PC BOARD	C1015	C-CERA C	CK725B1E-333K1	1	150E-333K-P-AC	
PC BOARD	C1016	C-CERA C	CK725B1E-333K1	1	150E-333K-P-AC	
PC BOARD	C1017	C-CERA C	CC725CH1H-151J1	1	15CH-151J-P-AC	
PC BOARD	C1018	C-CERA C	CK725B1A-474K1	1	150C-474K-P-AC	
PC BOARD	C1019	C-CERA C	CK725B1A-474K1	1	150C-474K-P-AC	
PC BOARD	C1020	C-CERA C	CK725B1C-104K1	1	150D-104K-P-AC	
PC BOARD	C1021	C-CERA C	CK725F1E-104Z1	1	150F-104K-P-AC	
PC BOARD	C1022	CHIP ELECT C	CEWX16V-22M	1	157D-226M-3-JJI	
PC BOARD	C1023	C-CERA C	CK725F1E-104Z1	1	150F-104K-P-AC	
PC BOARD	C1024	C-CERA C	CK725B1H-473K1	1	150F-473K-P-AC	
PC BOARD	C1025	C-CERA C	CK725F1E-104Z1	1	150F-104K-P-AC	
PC BOARD	C1026	CHIP ELECT C	CEWX16V-22M	1	157D-226M-3-JJI	
PC BOARD	C1027	C-CERA C	CC725CH1E-102J1	1	15CH-102J-P-AC	
PC BOARD	C1028	C-CERA C	CK725B1C-104K1	1	150D-104K-P-AC	
PC BOARD	C1029	C-CERA C	CK725B1C-104K1	1	150D-104K-P-AC	
PC BOARD	C1030	C-CERA C	CK725B1C-104K1	1	150D-104K-P-AC	
PC BOARD	C1031	C-CERA C	CK725F1E-104Z1	1	150F-104K-P-AC	
PC BOARD	C1032	CHIP ELECT C	CEWX6.3V-100M	1	157B-107M-3-MJI	
PC BOARD	C1033	C-CERA C	CK725B1C-104K1	1	150D-104K-P-AC	
PC BOARD	C1034	C-CERA C	CK725B1C-104K1	1	150D-104K-P-AC	
PC BOARD	C1035	C-CERA C	CK725B1H-103K1	1	150F-103K-P-AC	
PC BOARD	C1036	C-CERA C	CC725CH1H-100D1	1	15CH-100J-P-AC	
PC BOARD	C1037	C-CERA C	CC725CH1H-100D1	1	15CH-100J-P-AC	
PC BOARD	C1038	C-CERA C	CK725F1E-104Z1	1	150F-104K-P-AC	
PC BOARD	C1039	CHIP ELECT C	CEWX6.3V-47M	1	157B-476M-3-JJI	
PC BOARD	C1040	C-CERA C	CC725CH1E-102J1	1	15CH-102J-P-AC	
PC BOARD	C1041	CHIP ELECT C	CEWX16V-10M	1	157D-106M-3-HJI	
PC BOARD	C1042	CHIP ELECT C	CEWX16V-10M	1	157D-106M-3-HJI	
PC BOARD	C1043	CHIP ELECT C	CEWX6.3V-47M	1	157B-476M-3-JJI	
PC BOARD	C1044	C-CERA C	CC725CH1E-102J1	1	15CH-102J-P-AC	
PC BOARD	C1045	CHIP ELECT C	CEWX16V-10M	1	157D-106M-3-HJI	
PC BOARD	C1046	CHIP ELECT C	CEWX16V-10M	1	157D-106M-3-HJI	
PC BOARD	C1047	CHIP ELECT C	CEWX16V-22M	1	157D-226M-3-JJI	
PC BOARD	C1048	CHIP ELECT C	CEWX6.3V-100M	1	157B-107M-3-MJI	
PC BOARD	C1049	C-CERA C	CK725F1E-104Z1	1	150F-104K-P-AC	
PC BOARD	C1050	CHIP ELECT C	CEWX6.3V-100M	1	157B-107M-3-MJI	
PC BOARD	C1051	C-CERA C	CK725F1E-104Z1	1	150F-104K-P-AC	
PC BOARD	C1052	CHIP ELECT C	CEWX6.3V-100M	1	157B-107M-3-MJI	
PC BOARD	C1053	CHIP ELECT C	CEWX50V-1M	1	157F-105M-3-HJI	
PC BOARD	C1054	CHIP ELECT C	CEWX4V-220M	1	157A-227M-3-MJI	
PC BOARD	C1101	C-CERA C	CC725CH1H-221J1	1	15CH-221J-P-AC	
PC BOARD	C1102	C-CERA C	CC725CH1H-101J1	1	15CH-101J-P-AC	
PC BOARD	C1103	C-CERA C	CC725CH1E-102J1	1	15CH-102J-P-AC	
PC BOARD	C1104	C-CERA C	CK725F1E-104Z1	1	150F-104K-P-AC	
PC BOARD	C1105	C-CERA C	CK725F1E-104Z1	1	150F-104K-P-AC	
PC BOARD	C1106	CHIP ELECT C	CEWX16V-22M	1	157D-226M-3-JJI	
PC BOARD	C1107	C-CERA C	CK725F1E-104Z1	1	150F-104K-P-AC	
PC BOARD	C1108	C-CERA C	CK725F1E-104Z1	1	150F-104K-P-AC	

PC BOARD	C1109	CHIP ELECT C	CEWX16V-22M	1	157D-226M-3-JJI
PC BOARD	C1110	C-CERA C	CK725F1E-104Z1	1	150F-104K-P-AC
PC BOARD	C1111	CHIP ELECT C	CEWX16V-10M	1	157D-106M-3-HJI
PC BOARD	C1112	CHIP ELECT C	CEWX16V-10M	1	157D-106M-3-HJI
PC BOARD	C1113	C-CERA C	CK725B1H-223K1	1	150F-223K-P-AC
PC BOARD	C1114	C-CERA C	CK725B1H-223K1	1	150F-223K-P-AC
PC BOARD	C1115	C-CERA C	CK725B1E-473K1	1	150E-473K-P-AC
PC BOARD	C1116	C-CERA C	CK725B1E-473K1	1	150E-473K-P-AC
PC BOARD	C1117	C-CERA C	CK725F1E-104Z1	1	150F-104K-P-AC
PC BOARD	C1201	C-CERA C	CK725F1A-105Z1	1	150C-105Z-P-AC
PC BOARD	C1202	C-CERA C	CK725F1A-105Z1	1	150C-105Z-P-AC
PC BOARD	C1203	C-CERA C	CK725F1A-105Z1	1	150C-105Z-P-AC
PC BOARD	C1206	C-CERA C	CK725F1A-105Z1	1	150C-105Z-P-AC
PC BOARD	C1207	C-CERA C	CK725F1A-105Z1	1	150C-105Z-P-AC
PC BOARD	C1208	C-CERA C	CK725F1A-105Z1	1	150C-105Z-P-AC
PC BOARD	C1209	C-CERA C	CK725B1E-223K1	1	150E-223K-P-AC
PC BOARD	C1210	C-CERA C	CC725CH1H-151J1	1	15CH-151J-P-AC
PC BOARD	C1211	C-CERA C	CK725B1E-223K1	1	150E-223K-P-AC
PC BOARD	C1212	C-CERA C	CK725B1C-104K1	1	150D-104K-P-AC
PC BOARD	C1213	C-CERA C	CC725CH1H-101J1	1	15CH-101J-P-AC
PC BOARD	C1214	C-CERA C	CK725B1E-223K1	1	150E-223K-P-AC
PC BOARD	C1215	C-CERA C	CC725CH1H-101J1	1	15CH-101J-P-AC
PC BOARD	C1216	C-CERA C	CK725B1A-154K1	1	150D-154K-P-AC
PC BOARD	C1217	C-CERA C	CK725F1A-105Z1	1	150C-105Z-P-AC
PC BOARD	C1218	C-CERA C	CK725F1A-105Z1	1	150C-105Z-P-AC
PC BOARD	C1219	C-CERA C	CC725CH1H-331J1	1	15CH-331J-P-AC
PC BOARD	C1220	C-CERA C	CC725CH1H-331J1	1	15CH-331J-P-AC
PC BOARD	C1221	C-CERA C	CK725F1A-105Z1	1	150C-105Z-P-AC
PC BOARD	C1222	C-CERA C	CK725F1E-104Z1	1	150F-104K-P-AC
PC BOARD	C1223	C-CERA C	CK725F1A-105Z1	1	150C-105Z-P-AC
PC BOARD	C1224	C-CERA C	CK725B1H-473K1	1	150F-473K-P-AC
PC BOARD	C1225	C-CERA C	CK725F1A-105Z1	1	150C-105Z-P-AC
PC BOARD	C1226	C-CERA C	CK725B1H-103K1	1	150F-103K-P-AC
PC BOARD	C1227	C-CERA C	CK725F1A-105Z1	1	150C-105Z-P-AC
PC BOARD	C1228	C-CERA C	CK725F1A-105Z1	1	150C-105Z-P-AC
PC BOARD	C1229	C-CERA C	CK725F1A-105Z1	1	150C-105Z-P-AC
PC BOARD	C1230	C-CERA C	CK725F1A-105Z1	1	150C-105Z-P-AC
PC BOARD	C1232	C-CERA C	CK725F1A-105Z1	1	150C-105Z-P-AC
PC BOARD	C1233	C-CERA C	CK725F1A-105Z1	1	150C-105Z-P-AC
PC BOARD	C1234	CHIP ELECT C	CEWX4V-220M	1	157A-227M-3-MJI
PC BOARD	C1235	CHIP ELECT C	CEWX4V-220M	1	157A-227M-3-MJI
PC BOARD	C1236	CHIP ELECT C	CEWX4V-220M	1	157A-227M-3-MJI
PC BOARD	C1237	CHIP ELECT C	CEWX4V-220M	1	157A-227M-3-MJI
PC BOARD	C1238	CHIP ELECT C	CEWX16V-10M	1	157D-106M-3-HJI
PC BOARD	C1239	C-CERA C	CK725F1A-105Z1	1	150C-105Z-P-AC
PC BOARD	C1240	C-CERA C	CC725CH1H-560J1	1	15CH-560J-P-AC
PC BOARD	C1241	C-CERA C	CK725F1A-105Z1	1	150C-105Z-P-AC
PC BOARD	C1242	C-CERA C	CK725F1A-105Z1	1	150C-105Z-P-AC
PC BOARD	C1243	C-CERA C	CK725F1A-105Z1	1	150C-105Z-P-AC
PC BOARD	C1251	C-CERA C	CC725CH1H-471J1	1	15CH-471J-P-AC
PC BOARD	C1252	C-CERA C	CK725F1E-104Z1	1	150F-104K-P-AC
PC BOARD	C1253	C-CERA C	CC725CH1H-471J1	1	15CH-471J-P-AC
PC BOARD	C1254	C-CERA C	CK725F1E-104Z1	1	150F-104K-P-AC
PC BOARD	C1255	C-CERA C	CC725CH1H-471J1	1	15CH-471J-P-AC
PC BOARD	C1256	C-CERA C	CK725F1E-104Z1	1	150F-104K-P-AC
PC BOARD	C1257	CHIP ELECT C	CEWX4V-220M	1	157A-227M-3-MJI
PC BOARD	C1258	C-CERA C	CK725F1A-105Z1	1	150C-105Z-P-AC
PC BOARD	C1301	C-CERA C	CK725F1A-105Z1	1	150C-105Z-P-AC
PC BOARD	C1302	C-CERA C	CC725CH1E-102J1	1	15CH-102J-P-AC
PC BOARD	C1304	C-CERA C	CK725F1A-105Z1	1	150C-105Z-P-AC
PC BOARD	C1305	C-CERA C	CK725F1A-105Z1	1	150C-105Z-P-AC
PC BOARD	C1306	C-CERA C	CK725F1A-105Z1	1	150C-105Z-P-AC
PC BOARD	C1307	C-CERA C	CK725F1A-105Z1	1	150C-105Z-P-AC
PC BOARD	C1308	C-CERA C	CK725F1A-105Z1	1	150C-105Z-P-AC
PC BOARD	C1309	C-CERA C	CK725F1A-105Z1	1	150C-105Z-P-AC
PC BOARD	C1310	C-CERA C	CK725F1A-105Z1	1	150C-105Z-P-AC
PC BOARD	C1311	C-CERA C	CK725F1A-105Z1	1	150C-105Z-P-AC
PC BOARD	C1312	C-CERA C	CK725F1A-105Z1	1	150C-105Z-P-AC

PC BOARD	C2017	C-CERA C	CK725F1A-105Z1	1	150C-105Z-P-AC
PC BOARD	C2018	CHIP ELECT C	CEWX4V-220M	1	157A-227M-3-MJI
PC BOARD	C2019	C-CERA C	CK725F1A-105Z1	1	150C-105Z-P-AC
PC BOARD	C2020	C-CERA C	CK725F1A-105Z1	1	150C-105Z-P-AC
PC BOARD	C2021	C-CERA C	CK725F1A-105Z1	1	150C-105Z-P-AC
PC BOARD	C2022	C-CERA C	CK725F1A-105Z1	1	150C-105Z-P-AC
PC BOARD	C2023	C-CERA C	CK725F1A-105Z1	1	150C-105Z-P-AC
PC BOARD	C2024	C-CERA C	CK725F1A-105Z1	1	150C-105Z-P-AC
PC BOARD	C2025	C-CERA C	CK725F1A-105Z1	1	150C-105Z-P-AC
PC BOARD	C2026	ELECT C	CE04W6.3V1000M(SC)	1	157B-108M-5-OVI
PC BOARD	C2027	CHIP ELECT C	CEWX4V-220M	1	157A-227M-3-MJI
PC BOARD	C2030	C-CERA C	CK725F1A-105Z1	1	150C-105Z-P-AC
PC BOARD	C2031	C-CERA C	CK725F1A-105Z1	1	150C-105Z-P-AC
PC BOARD	C2034	C-CERA C	CK725F1A-105Z1	1	150C-105Z-P-AC
PC BOARD	C2035	C-CERA C	CK725F1A-105Z1	1	150C-105Z-P-AC
PC BOARD	C2038	C-CERA C	CK725F1A-105Z1	1	150C-105Z-P-AC
PC BOARD	C2039	C-CERA C	CK725F1A-105Z1	1	150C-105Z-P-AC
PC BOARD	C2040	C-CERA C	CK725F1A-105Z1	1	150C-105Z-P-AC
PC BOARD	C2041	C-CERA C	CK725F1A-105Z1	1	150C-105Z-P-AC
PC BOARD	C2043	C-CERA C	CK725F1A-105Z1	1	150C-105Z-P-AC
PC BOARD	C2044	C-CERA C	CK725F1A-105Z1	1	150C-105Z-P-AC
PC BOARD	C2045	C-CERA C	CC725CH1E-102J1	1	15CH-102J-P-AC
PC BOARD	C2046	C-CERA C	CK725F1A-105Z1	1	150C-105Z-P-AC
PC BOARD	C2047	C-CERA C	CK725F1A-105Z1	1	150C-105Z-P-AC
PC BOARD	C2048	C-CERA C	CK725F1A-105Z1	1	150C-105Z-P-AC
PC BOARD	C2049	C-CERA C	CK725F1A-105Z1	1	150C-105Z-P-AC
PC BOARD	C2051	C-CERA C	CK725F1A-105Z1	1	150C-105Z-P-AC
PC BOARD	C2052	C-CERA C	CK725F1A-105Z1	1	150C-105Z-P-AC
PC BOARD	C2101	C-CERA C	CK725F1A-105Z1	1	150C-105Z-P-AC
PC BOARD	C2102	C-CERA C	CK725F1A-105Z1	1	150C-105Z-P-AC
PC BOARD	C2103	C-CERA C	CC725CH1E-102J1	1	15CH-102J-P-AC
PC BOARD	C2104	C-CERA C	CK725F1A-105Z1	1	150C-105Z-P-AC
PC BOARD	C2105	C-CERA C	CK725F1A-105Z1	1	150C-105Z-P-AC
PC BOARD	C2106	C-CERA C	CK725F1A-105Z1	1	150C-105Z-P-AC
PC BOARD	C2107	C-CERA C	CK725F1A-105Z1	1	150C-105Z-P-AC
PC BOARD	C2108	C-CERA C	CK725F1A-105Z1	1	150C-105Z-P-AC
PC BOARD	C2109	C-CERA C	CK725F1A-105Z1	1	150C-105Z-P-AC
PC BOARD	C2110	C-CERA C	CK725F1A-105Z1	1	150C-105Z-P-AC
PC BOARD	C2111	C-CERA C	CK725F1A-105Z1	1	150C-105Z-P-AC
PC BOARD	C2112	C-CERA C	CK725F1A-105Z1	1	150C-105Z-P-AC
PC BOARD	C2113	C-CERA C	CK725F1A-105Z1	1	150C-105Z-P-AC
PC BOARD	C2114	C-CERA C	CK725F1A-105Z1	1	150C-105Z-P-AC
PC BOARD	C2115	C-CERA C	CK725F1A-105Z1	1	150C-105Z-P-AC
PC BOARD	C2116	C-CERA C	CK725F1A-105Z1	1	150C-105Z-P-AC
PC BOARD	C2117	C-CERA C	CK725F1A-105Z1	1	150C-105Z-P-AC
PC BOARD	C2118	C-CERA C	CK725F1A-105Z1	1	150C-105Z-P-AC
PC BOARD	C2119	C-CERA C	CK725F1A-105Z1	1	150C-105Z-P-AC
PC BOARD	C2120	C-CERA C	CC725CH1E-102J1	1	15CH-102J-P-AC
PC BOARD	C2121	CHIP ELECT C	CEWX4V-220M	1	157A-227M-3-MJI
PC BOARD	C2122	C-CERA C	CK725F1A-105Z1	1	150C-105Z-P-AC
PC BOARD	C2123	C-CERA C	CK725F1A-105Z1	1	150C-105Z-P-AC
PC BOARD	C2124	C-CERA C	CK725F1A-105Z1	1	150C-105Z-P-AC
PC BOARD	C2125	C-CERA C	CK725F1A-105Z1	1	150C-105Z-P-AC
PC BOARD	C2126	C-CERA C	CK725F1A-105Z1	1	150C-105Z-P-AC
PC BOARD	C2127	C-CERA C	CK725F1A-105Z1	1	150C-105Z-P-AC
PC BOARD	C2128	C-CERA C	CK725F1A-105Z1	1	150C-105Z-P-AC
PC BOARD	C2129	CHIP ELECT C	CEWX4V-220M	1	157A-227M-3-MJI
PC BOARD	C2130	C-CERA C	CK725B1H-103K1	1	150F-103K-P-AC
PC BOARD	C2131	C-CERA C	CK725B1A-474K1	1	150C-474K-P-AC
PC BOARD	C2191	CHIP ELECT C	CEWX4V-220M	1	157A-227M-3-MJI
PC BOARD	C2192	C-CERA C	CK725F1A-105Z1	1	150C-105Z-P-AC
PC BOARD	C2193	C-CERA C	CK725F1A-105Z1	1	150C-105Z-P-AC
PC BOARD	C2601	CHIP ELECT C	CEWX16V-22M	1	157D-226M-3-JJI
PC BOARD	C2602	CHIP ELECT C	CEWX6.3V-100M	1	157B-107M-3-MJI
PC BOARD	C2603	C-CERA C	CK725F1A-105Z1	1	150C-105Z-P-AC
PC BOARD	C2604	C-CERA C	CK725F1A-105Z1	1	150C-105Z-P-AC
PC BOARD	C2605	C-CERA C	CK725F1A-105Z1	1	150C-105Z-P-AC
PC BOARD	C2606	C-CERA C	CC725CH1H-120J1	1	15CH-120J-P-AC

PC BOARD	C2608	C-CERA C	CC725CH1H-120J1	1	15CH-120J-P-AC
PC BOARD	C2610	C-CERA C	CK725F1A-105Z1	1	150C-105Z-P-AC
PC BOARD	C2611	C-CERA C	CK725F1A-105Z1	1	150C-105Z-P-AC
PC BOARD	C2612	C-CERA C	CC725CH1H-560J1	1	15CH-560J-P-AC
PC BOARD	C2901	CHIP ELECT C	CEWX6.3V-100M	1	157B-107M-3-MJI
PC BOARD	C2902	CHIP ELECT C	CEWX4V-220M	1	157A-227M-3-MJI
PC BOARD	C2903	CHIP ELECT C	CEWX4V-220M	1	157A-227M-3-MJI
PC BOARD	C2904	CHIP ELECT C	CEWX4V-220M	1	157A-227M-3-MJI
PC BOARD	C2905	CHIP ELECT C	CEWX4V-220M	1	157A-227M-3-MJI
PC BOARD	C2906	CHIP ELECT C	CEWX4V-220M	1	157A-227M-3-MJI
PC BOARD	C2907	CHIP ELECT C	CEWX16V-10M	1	157D-106M-3-HJI
PC BOARD	C2908	CHIP ELECT C	CEWX4V-220M	1	157A-227M-3-MJI
PC BOARD	C2909	CHIP ELECT C	CEWX6.3V-100M	1	157B-107M-3-MJI
PC BOARD	C2910	CHIP ELECT C	CEWX4V-220M	1	157A-227M-3-MJI
PC BOARD	D2101	C-DIODE	1SS352	1	480S-3520-3
PC BOARD	L1001	CHOKE COIL	NCH-1479	1	1803-0063-0
PC BOARD	L1002	CHOKE COIL	NCH-1479	1	1803-0063-0
PC BOARD	L1003	CHOKE COIL	NCH-1471	1	1803-0064-0
PC BOARD	L1004	CHOKE COIL	NCH-1471	1	1803-0064-0
PC BOARD	L1005	CHOKE COIL	NCH-1471	1	1803-0064-0
PC BOARD	L1201	CHOKE COIL	NCH-1471	1	1803-0064-0
PC BOARD	L1202	CHOKE COIL	NCH-1471	1	1803-0064-0
PC BOARD	L1203	CHOKE COIL	NCH-1471	1	1803-0064-0
PC BOARD	L1204	CHOKE COIL	NCH-1471	1	1803-0064-0
PC BOARD	L1251	CHOKE COIL	NCH-1471	1	1803-0064-0
PC BOARD	L1301	CHOKE COIL	NCH-1471	1	1803-0064-0
PC BOARD	L1302	CHOKE COIL	NCH-1471	1	1803-0064-0
PC BOARD	L1303	CHOKE COIL	NCH-1471	1	1803-0064-0
PC BOARD	L1304	CHOKE COIL	NCH-1471	1	1803-0064-0
PC BOARD	L1305	CHOKE COIL	NCH-1471	1	1803-0064-0
PC BOARD	L1306	CHOKE COIL	NCH-1471	1	1803-0064-0
PC BOARD	L1307	CHOKE COIL	NCH-1471	1	1803-0064-0
PC BOARD	L1371	CHOKE COIL	NCH-1471	1	1803-0064-0
PC BOARD	L2001	CHOKE COIL	NCH-1471	1	1803-0064-0
PC BOARD	L2002	CHOKE COIL	NCH-1471	1	1803-0064-0
PC BOARD	L2003	CHOKE COIL	NCH-1471	1	1803-0064-0
PC BOARD	L2004	CHOKE COIL	NCH-1481	1	1803-0079-0
PC BOARD	L2005	CHOKE COIL	NCH-1481	1	1803-0079-0
PC BOARD	L2101	CHOKE COIL	NCH-1471	1	1803-0064-0
PC BOARD	L2102	CHOKE COIL	NCH-1471	1	1803-0064-0
PC BOARD	L2601	CHOKE COIL	NCH-1473	1	1803-0086-0
PC BOARD	L2602	CHOKE COIL	NCH-1473	1	1803-0086-0
PC BOARD	L2901	CHOKE COIL	NCH-1471	1	1803-0064-0
PC BOARD	L2902	CHOKE COIL	NCH-1471	1	1803-0064-0
PC BOARD	L2903	CHOKE COIL	NCH-1471	1	1803-0064-0
PC BOARD	P1001	SOCKET	NSCT-26P2671	1	2101-1414-0
PC BOARD	P1101	PLUG	NPLG-6P932	1	2101-1410-0
PC BOARD	P1302A	PLUG	SM20B-SURS-TF	1	2101-3017-0
PC BOARD	P2001A	PLUG	SM14B-SURS-TF	1	2101-3018-0
PC BOARD	P2002A	PLUG	SM15B-SURS-TF	1	2101-3019-0
PC BOARD	P2003A	PLUG	SM20B-SURS-TF	1	2101-3017-0
PC BOARD	P2004A	PLUG	SM16B-SURS-TF	1	2101-3020-0
PC BOARD	P2701A	PLUG	NPLG-7P933	1	2101-1411-0
PC BOARD	P2901A	PLUG	NPLG-6P932	1	2101-1410-0
PC BOARD	Q1001	IC	CXD1881BR	1	3131-9990-0
PC BOARD	Q1002	IC	NJM2115V	1	3132-0010-0
PC BOARD	Q1003	TR	2SK3019	1	4853-0190-3
PC BOARD	Q1004	TR	2SK3019	1	4853-0190-3
PC BOARD	Q1005	TR	2SK3019	1	4853-0190-3
PC BOARD	Q1006	TR	2SB1132	1	4851-132R-3
PC BOARD	Q1007	TR	2SB1132	1	4851-132R-3
PC BOARD	Q1101	IC	FAN8042	1	3132-0020-0
PC BOARD	Q1102	IC	BA4510FV	1	3132-0030-0
PC BOARD	Q1201	IC	CXD1885Q	1	3132-0040-0
PC BOARD	Q1202	IC	74LVC1G08GW	1	3132-1621-0
PC BOARD	Q1202 or	IC	TC7SZ08FU	(1)	3132-1681-0
PC BOARD	Q1251	IC	IC41LV16100-50T	1	3132-0050-0
PC BOARD	Q1251 or	IC	IC41LV16100-50T	(1)	3132-0050-0

PC BOARD	Q1301	IC	CXD2753R	1	3132-1631-0
PC BOARD	Q1302	IC	AD8062	1	3132-1641-0
PC BOARD	Q1303	IC	IC42S16100-7T	1	3132-1651-0
PC BOARD	Q1303 or	IC	IC42S16100-7T	(1)	3132-1651-0
PC BOARD	Q1303 or	IC	K4S161622H-UC60	(1)	3132-1060-1-*
PC BOARD	Q1304	IC	TC7SZU04F	1	3132-1661-0
PC BOARD	Q1305	IC	74LVC2G241DP	1	3132-1671-0
PC BOARD	Q1305 or	IC	TC7WH241FU	(1)	3132-1851-0
PC BOARD	Q1307	IC	TC7SZ08FU	1	3132-1681-0
PC BOARD	Q1308	IC	TC7SZ08FU	1	3132-1681-0
PC BOARD	Q1309	IC	TC7SZ08FU	1	3132-1681-0
PC BOARD	Q1371	IC	EPM3128A-Harmony-8LI	1	3132-1691-0
PC BOARD	Q2001	IC	M65776CFP	1	3132-1701-0
PC BOARD	Q2002	IC	IC42S16400-7T	1	3132-0110-0
PC BOARD	Q2002 or	IC	IC42S16400-7T	(1)	3132-0110-0
PC BOARD	Q2002 or	IC	K4S641632H-UC75	(1)	3132-1591-0-*
PC BOARD	Q2007	IC	74LVC2G241DP	1	3132-1671-0
PC BOARD	Q2007 or	IC	TC7WH241FU	(1)	3132-1851-0
PC BOARD	Q2008	IC	TC7SZ125FU	1	3132-0140-0
PC BOARD	Q2101	IC	M32102S6FP	1	3132-1711-0
PC BOARD	Q2102	IC	TC74VHCT374AFT	1	3132-1721-0
PC BOARD	Q2103	IC	74LVC1G32GW	1	3132-1951-0
PC BOARD	Q2103 or	IC	TC7SZ32FU	(1)	3132-1731-0
PC BOARD	Q2104	IC	BR24L08FV-W	1	3132-1741-0
PC BOARD	Q2105	IC	74LVC1G04GW	1	3132-1941-0
PC BOARD	Q2105 or	IC	TC7SZ04FU	(1)	3132-1751-0
PC BOARD	Q2106	IC	MX29LV320ABTC-90	1	3132-1761-0
PC BOARD	Q2107	IC	S-80127CNMC-JKM-T2	1	3132-0070-0
PC BOARD	Q2108	IC	TC7SZ125FU	1	3132-0140-0
PC BOARD	Q2109	IC	74AHCT125PW	1	3132-2001-0
PC BOARD	Q2109 or	IC	TC74VHCT125AFT	(1)	3132-0130-0
PC BOARD	Q2191	IC	NJM2880U25	1	3132-1771-0
PC BOARD	Q2601	IC	BU2288FV	1	3132-0150-0
PC BOARD	Q2901	IC	BA33B00FP	1	3132-1781-0
PC BOARD	Q2902	IC	LM1117MPX-ADJ	1	3132-1791-0
PC BOARD	Q2903	IC(REGURATOR)	MPC2918T	1	3132-0170-0
PC BOARD	R1001	C-R NET	RM7LJ152X04	1	8911-0024-0
PC BOARD	R1002	C-R NET	RM7LJ000X04	1	8911-0025-0
PC BOARD	R1003	C-CARBON R	RN72K1J-123FE	1	4723-123A-P-R
PC BOARD	R1004	C-CARBON R	RN72K1J-103JE	1	4723-103J-P-R
PC BOARD	R1005	C-CARBON R	RN72K1J-223JE	1	4723-223J-P-R
PC BOARD	R1006	C-CARBON R	RN72K1J-223JE	1	4723-223J-P-R
PC BOARD	R1007	C-CARBON R	RN72K1J-223JE	1	4723-223J-P-R
PC BOARD	R1009	C-CARBON R	RN72K1J-103JE	1	4723-103J-P-R
PC BOARD	R1010	C-CARBON R	RN72K1J-223JE	1	4723-223J-P-R
PC BOARD	R1011	C-CARBON R	RN72K1J-223JE	1	4723-223J-P-R
PC BOARD	R1012	C-CARBON R	RN72K1J-223JE	1	4723-223J-P-R
PC BOARD	R1014	C-CARBON R	RN72K1J-103JE	1	4723-103J-P-R
PC BOARD	R1015	C-CARBON R	RN72K1J-102JE	1	4723-102J-P-R
PC BOARD	R1016	C-CARBON R	RN72K1J-330JE	1	4723-330J-P-R
PC BOARD	R1017	C-CARBON R	RN72K1J-330JE	1	4723-330J-P-R
PC BOARD	R1018	C-CARBON R	RN72K1J-102JE	1	4723-102J-P-R
PC BOARD	R1019	C-CARBON R	RN72K1J-330JE	1	4723-330J-P-R
PC BOARD	R1020	C-CARBON R	RN72K1J-330JE	1	4723-330J-P-R
PC BOARD	R1021	C-CARBON R	RN72K1J-000JE	1	4723-000J-P-R
PC BOARD	R1022	C-CARBON R	RN72K1J-101JE	1	4723-101J-P-R
PC BOARD	R1023	C-CARBON R	RN72K1J-000JE	1	4723-000J-P-R
PC BOARD	R1027	C-CARBON R	RN72K1J-102JE	1	4723-102J-P-R
PC BOARD	R1028	C-CARBON R	RN72K1J-392JE	1	4723-392J-P-R
PC BOARD	R1029	C-CARBON R	RN72K1J-104JE	1	4723-104J-P-R
PC BOARD	R1101	C-CARBON R	RN72K1J-563FE	1	4723-563A-P-R
PC BOARD	R1102	C-CARBON R	RN72K1J-153JE	1	4723-153J-P-R
PC BOARD	R1103	C-CARBON R	RN72K1J-563JE	1	4723-563J-P-R
PC BOARD	R1104	C-CARBON R	RN72K1J-333JE	1	4723-333J-P-R
PC BOARD	R1105	C-CARBON R	RN72K1J-563JE	1	4723-563J-P-R
PC BOARD	R1106	C-CARBON R	RN72K1J-333JE	1	4723-333J-P-R
PC BOARD	R1107	C-CARBON R	RN72K1J-000JE	1	4723-000J-P-R
PC BOARD	R1108	C-CARBON R	RN72K1J-103JE	1	4723-103J-P-R

PC BOARD	R1109	C-CARBON R	RN72K1J-103JE	1	4723-103J-P-R
PC BOARD	R1110	C-CARBON R	RN72K1J-103JE	1	4723-103J-P-R
PC BOARD	R1111	C-CARBON R	RN72K1J-103JE	1	4723-103J-P-R
PC BOARD	R1112	C-CARBON R	RN72K1J-000JE	1	4723-000J-P-R
PC BOARD	R1113	C-CARBON R	RN72K1J-333JE	1	4723-333J-P-R
PC BOARD	R1114	C-CARBON R	RN72K1J-752JE	1	4723-752J-P-R
PC BOARD	R1115	C-CARBON R	RN72K1J-333JE	1	4723-333J-P-R
PC BOARD	R1116	C-CARBON R	RN72K1J-752JE	1	4723-752J-P-R
PC BOARD	R1117	C-CARBON R	RN72K1J-103FE	1	4723-103A-P-R
PC BOARD	R1118	C-CARBON R	RN72K1J-103FE	1	4723-103A-P-R
PC BOARD	R1119	C-CARBON R	RN72K1J-223JE	1	4723-223J-P-R
PC BOARD	R1120	C-CARBON R	RN72K1J-103JE	1	4723-103J-P-R
PC BOARD	R1121	C-CARBON R	RN72K1J-103JE	1	4723-103J-P-R
PC BOARD	R1122	C-CARBON R	RN72K1J-104JE	1	4723-104J-P-R
PC BOARD	R1123	C-CARBON R	RN72K1J-223JE	1	4723-223J-P-R
PC BOARD	R1124	C-CARBON R	RN72K1J-103JE	1	4723-103J-P-R
PC BOARD	R1125	C-CARBON R	RN72K1J-103JE	1	4723-103J-P-R
PC BOARD	R1126	C-CARBON R	RN72K1J-104JE	1	4723-104J-P-R
PC BOARD	R1127	C-CARBON R	RN72K1J-000JE	1	4723-000J-P-R
PC BOARD	R1128	C-CARBON R	RN72K1J-000JE	1	4723-000J-P-R
PC BOARD	R1202	C-CARBON R	RN72K1J-000JE	1	4723-000J-P-R
PC BOARD	R1205	C-R NET	RM7LJ101X04	1	8911-0026-0
PC BOARD	R1206	C-R NET	RM7LJ101X04	1	8911-0026-0
PC BOARD	R1207	C-CARBON R	RN72K1J-181JE	1	4723-181J-P-R
PC BOARD	R1208	C-R NET	RM7LJ101X04	1	8911-0026-0
PC BOARD	R1209	C-R NET	RM7LJ330X04	1	8911-0027-0
PC BOARD	R1210	C-R NET	RM7LJ101X04	1	8911-0026-0
PC BOARD	R1211	C-R NET	RM7LJ101X04	1	8911-0026-0
PC BOARD	R1212	C-R NET	RM7LJ181X04	1	8911-0028-0
PC BOARD	R1213	C-R NET	RM7LJ103X04	1	8911-0029-0
PC BOARD	R1214	C-CARBON R	RN72K1J-473FE	1	4723-473A-P-R
PC BOARD	R1215	C-CARBON R	RN72K1J-473FE	1	4723-473A-P-R
PC BOARD	R1216	C-CARBON R	RN72K1J-154FE	1	4723-154A-P-R
PC BOARD	R1217	C-CARBON R	RN72K1J-471FE	1	4723-471A-P-R
PC BOARD	R1218	C-CARBON R	RN72K1J-683FE	1	4723-683A-P-R
PC BOARD	R1219	C-CARBON R	RN72K1J-473FE	1	4723-473A-P-R
PC BOARD	R1220	C-CARBON R	RN72K1J-104FE	1	4723-104A-P-R
PC BOARD	R1221	C-CARBON R	RN72K1J-182FE	1	4723-182A-P-R
PC BOARD	R1222	C-CARBON R	RN72K1J-182FE	1	4723-182A-P-R
PC BOARD	R1223	C-CARBON R	RN72K1J-223FE	1	4723-223A-P-R
PC BOARD	R1224	C-CARBON R	RN72K1J-000JE	1	4723-000J-P-R
PC BOARD	R1225	C-CARBON R	RN72K1J-103JE	1	4723-103J-P-R
PC BOARD	R1226	C-CARBON R	RN72K1J-000JE	1	4723-000J-P-R
PC BOARD	R1227	C-CARBON R	RN72K1J-103JE	1	4723-103J-P-R
PC BOARD	R1228	C-CARBON R	RN72K1J-000JE	1	4723-000J-P-R
PC BOARD	R1229	C-CARBON R	RN72K1J-000JE	1	4723-000J-P-R
PC BOARD	R1230	C-CARBON R	RN72K1J-000JE	1	4723-000J-P-R
PC BOARD	R1231	C-CARBON R	RN72K1J-333JE	1	4723-333J-P-R
PC BOARD	R1232	C-CARBON R	RN72K1J-152JE	1	4723-152J-P-R
PC BOARD	R1233	C-CARBON R	RN72K1J-333JE	1	4723-333J-P-R
PC BOARD	R1234	C-R NET	RM7LJ101X04	1	8911-0026-0
PC BOARD	R1235	C-R NET	RM7LJ101X04	1	8911-0026-0
PC BOARD	R1236	C-R NET	RM7LJ101X04	1	8911-0026-0
PC BOARD	R1237	C-R NET	RM7LJ101X04	1	8911-0026-0
PC BOARD	R1238	C-R NET	RM7LJ101X04	1	8911-0026-0
PC BOARD	R1239	C-CARBON R	RN72K1J-220JE	1	4723-220J-P-R
PC BOARD	R1240	C-CARBON R	RN72K1J-103JE	1	4723-103J-P-R
PC BOARD	R1241	C-R NET	RM7LJ101X04	1	8911-0026-0
PC BOARD	R1242	C-CARBON R	RN72K1J-000JE	1	4723-000J-P-R
PC BOARD	R1243	C-CARBON R	RN72K1J-000JE	1	4723-000J-P-R
PC BOARD	R1244	C-CARBON R	RN72K1J-000JE	1	4723-000J-P-R
PC BOARD	R1251	C-R NET	RM7LJ101X04	1	8911-0026-0
PC BOARD	R1252	C-R NET	RM7LJ101X04	1	8911-0026-0
PC BOARD	R1253	C-R NET	RM7LJ101X04	1	8911-0026-0
PC BOARD	R1254	C-R NET	RM7LJ101X04	1	8911-0026-0
PC BOARD	R1291	C-R NET	RM6KJ103X08	1	8911-0020-0
PC BOARD	R1292	C-R NET	RM6KJ103X08	1	8911-0020-0
PC BOARD	R1293	C-R NET	RM6KJ103X08	1	8911-0020-0

PC BOARD	R1301	C-CARBON R	RN72K1J-470JE	1	4723-470J-P-R
PC BOARD	R1302	C-CARBON R	RN72K1J-470JE	1	4723-470J-P-R
PC BOARD	R1303	C-CARBON R	RN72K1J-470JE	1	4723-470J-P-R
PC BOARD	R1304	C-CARBON R	RN72K1J-470JE	1	4723-470J-P-R
PC BOARD	R1305	C-CARBON R	RN72K1J-470JE	1	4723-470J-P-R
PC BOARD	R1306	C-CARBON R	RN72K1J-103JE	1	4723-103J-P-R
PC BOARD	R1307	C-CARBON R	RN72K1J-102JE	1	4723-102J-P-R
PC BOARD	R1308	C-CARBON R	RN72K1J-000JE	1	4723-000J-P-R
PC BOARD	R1309	C-CARBON R	RN72K1J-220JE	1	4723-220J-P-R
PC BOARD	R1310	C-CARBON R	RN72K1J-221JE	1	4723-221J-P-R
PC BOARD	R1311	C-CARBON R	RN72K1J-221JE	1	4723-221J-P-R
PC BOARD	R1312	C-CARBON R	RN72K1J-000JE	1	4723-000J-P-R
PC BOARD	R1313	C-CARBON R	RN72K1J-220JE	1	4723-220J-P-R
PC BOARD	R1314	C-CARBON R	RN72K1J-220JE	1	4723-220J-P-R
PC BOARD	R1315	C-CARBON R	RN72K1J-221JE	1	4723-221J-P-R
PC BOARD	R1316	C-CARBON R	RN72K1J-221JE	1	4723-221J-P-R
PC BOARD	R1317	C-CARBON R	RN72K1J-221JE	1	4723-221J-P-R
PC BOARD	R1318	C-CARBON R	RN72K1J-221JE	1	4723-221J-P-R
PC BOARD	R1319	C-CARBON R	RN72K1J-221JE	1	4723-221J-P-R
PC BOARD	R1320	C-CARBON R	RN72K1J-221JE	1	4723-221J-P-R
PC BOARD	R1321	C-R NET	RM7LJ220X04	1	8911-0030-0
PC BOARD	R1322	C-R NET	RM7LJ220X04	1	8911-0030-0
PC BOARD	R1323	C-CARBON R	RN72K1J-103JE	1	4723-103J-P-R
PC BOARD	R1324	C-CARBON R	RN72K1J-103JE	1	4723-103J-P-R
PC BOARD	R1325	C-R NET	RM7LJ470X04	1	8911-0031-0
PC BOARD	R1326	C-R NET	RM7LJ470X04	1	8911-0031-0
PC BOARD	R1327	C-R NET	RM7LJ470X04	1	8911-0031-0
PC BOARD	R1328	C-R NET	RM7LJ103X04	1	8911-0029-0
PC BOARD	R1329	C-R NET	RM7LJ103X04	1	8911-0029-0
PC BOARD	R1330	C-CARBON R	RN72K1J-220JE	1	4723-220J-P-R
PC BOARD	R1331	C-CARBON R	RN72K1J-220JE	1	4723-220J-P-R
PC BOARD	R1332	C-CARBON R	RN72K1J-220JE	1	4723-220J-P-R
PC BOARD	R1333	C-CARBON R	RN72K1J-220JE	1	4723-220J-P-R
PC BOARD	R1334	C-CARBON R	RN72K1J-220JE	1	4723-220J-P-R
PC BOARD	R1335	C-R NET	RM7LJ470X04	1	8911-0031-0
PC BOARD	R1336	C-R NET	RM7LJ470X04	1	8911-0031-0
PC BOARD	R1337	C-R NET	RM7LJ470X04	1	8911-0031-0
PC BOARD	R1339	C-CARBON R	RN72K1J-103FE	1	4723-103A-P-R
PC BOARD	R1340	C-CARBON R	RN72K1J-103FE	1	4723-103A-P-R
PC BOARD	R1341	C-CARBON R	RN72K1J-202JE	1	4723-202J-P-R
PC BOARD	R1342	C-CARBON R	RN72K1J-222JE	1	4723-222J-P-R
PC BOARD	R1343	C-CARBON R	RN72K1J-202JE	1	4723-202J-P-R
PC BOARD	R1344	C-CARBON R	RN72K1J-222JE	1	4723-222J-P-R
PC BOARD	R1345	C-CARBON R	RN72K1J-105JE	1	4723-105J-P-R
PC BOARD	R1346	C-CARBON R	RN72K1J-821FE	1	4723-821A-P-R
PC BOARD	R1347	C-CARBON R	RN72K1J-220JE	1	4723-220J-P-R
PC BOARD	R1348	C-CARBON R	RN72K1J-220JE	1	4723-220J-P-R
PC BOARD	R1349	C-CARBON R	RN72K1J-220JE	1	4723-220J-P-R
PC BOARD	R1350	C-CARBON R	RN72K1J-220JE	1	4723-220J-P-R
PC BOARD	R1351	C-CARBON R	RN72K1J-101JE	1	4723-101J-P-R
PC BOARD	R1354	C-CARBON R	RN72K1J-000JE	1	4723-000J-P-R
PC BOARD	R1355	C-CARBON R	RN72K1J-000JE	1	4723-000J-P-R
PC BOARD	R1356	C-CARBON R	RN72K1J-000JE	1	4723-000J-P-R
PC BOARD	R1357	C-CARBON R	RN72K1J-101JE	1	4723-101J-P-R
PC BOARD	R1358	C-CARBON R	RN72K1J-100JE	1	4723-100J-P-R
PC BOARD	R1359	C-CARBON R	RN72K1J-100JE	1	4723-100J-P-R
PC BOARD	R1361	C-CARBON R	RN72K1J-000JE	1	4723-000J-P-R
PC BOARD	R1362	C-CARBON R	RN72K1J-000JE	1	4723-000J-P-R
PC BOARD	R1371	C-CARBON R	RN72K1J-470JE	1	4723-470J-P-R
PC BOARD	R1374	C-CARBON R	RN72K1J-000JE	1	4723-000J-P-R
PC BOARD	R1375	C-R NET	RM7LJ103X04	1	8911-0029-0
PC BOARD	R1376	C-R NET	RM7LJ101X04	1	8911-0026-0
PC BOARD	R1377	C-R NET	RM7LJ101X04	1	8911-0026-0
PC BOARD	R1378	C-CARBON R	RN72K1J-101JE	1	4723-101J-P-R
PC BOARD	R1379	C-CARBON R	RN72K1J-101JE	1	4723-101J-P-R
PC BOARD	R1380	C-CARBON R	RN72K1J-101JE	1	4723-101J-P-R
PC BOARD	R1381	C-CARBON R	RN72K1J-101JE	1	4723-101J-P-R
PC BOARD	R1382	C-CARBON R	RN72K1J-220JE	1	4723-220J-P-R

PC BOARD	R1383	C-CARBON R	RN72K1J-101JE	1	4723-101J-P-R
PC BOARD	R1384	C-CARBON R	RN72K1J-470JE	1	4723-470J-P-R
PC BOARD	R1387	C-R NET	RM7LJ101X04	1	8911-0026-0
PC BOARD	R1388	C-CARBON R	RN72K1J-000JE	1	4723-000J-P-R
PC BOARD	R1389	C-CARBON R	RN72K1J-102JE	1	4723-102J-P-R
PC BOARD	R1390	C-R NET	RM7LJ101X04	1	8911-0026-0
PC BOARD	R1391	C-CARBON R	RN72K1J-101JE	1	4723-101J-P-R
PC BOARD	R1393	C-CARBON R	RN72K1J-101JE	1	4723-101J-P-R
PC BOARD	R2001	C-CARBON R	RN72K1J-103JE	1	4723-103J-P-R
PC BOARD	R2002	C-CARBON R	RN72K1J-103JE	1	4723-103J-P-R
PC BOARD	R2003	C-R NET	RM7LJ470X04	1	8911-0031-0
PC BOARD	R2004	C-R NET	RM7LJ470X04	1	8911-0031-0
PC BOARD	R2005	C-R NET	RM7LJ470X04	1	8911-0031-0
PC BOARD	R2006	C-R NET	RM7LJ470X04	1	8911-0031-0
PC BOARD	R2007	C-CARBON R	RN72K1J-150JE	1	4723-150J-P-R
PC BOARD	R2009	C-CARBON R	RN72K1J-150JE	1	4723-150J-P-R
PC BOARD	R2010	C-CARBON R	RN72K1J-150JE	1	4723-150J-P-R
PC BOARD	R2011	C-CARBON R	RN72K1J-150JE	1	4723-150J-P-R
PC BOARD	R2012	C-CARBON R	RN72K1J-150JE	1	4723-150J-P-R
PC BOARD	R2013	C-CARBON R	RN72K1J-150JE	1	4723-150J-P-R
PC BOARD	R2014	C-CARBON R	RN72K1J-150JE	1	4723-150J-P-R
PC BOARD	R2015	C-R NET	RM7LJ470X04	1	8911-0031-0
PC BOARD	R2016	C-R NET	RM7LJ470X04	1	8911-0031-0
PC BOARD	R2017	C-R NET	RM7LJ470X04	1	8911-0031-0
PC BOARD	R2018	C-R NET	RM7LJ470X04	1	8911-0031-0
PC BOARD	R2019	C-CARBON R	RN72K1J-000JE	1	4723-000J-P-R
PC BOARD	R2024	C-CARBON R	RN72K1J-000JE	1	4723-000J-P-R
PC BOARD	R2025	C-CARBON R	RN72K1J-000JE	1	4723-000J-P-R
PC BOARD	R2041	C-CARBON R	RN72K1J-000JE	1	4723-000J-P-R
PC BOARD	R2042	C-CARBON R	RN72K1J-000JE	1	4723-000J-P-R
PC BOARD	R2043	C-CARBON R	RN72K1J-000JE	1	4723-000J-P-R
PC BOARD	R2047	C-CARBON R	RN72K1J-470JE	1	4723-470J-P-R
PC BOARD	R2048	C-R NET	RM7LJ101X04	1	8911-0026-0
PC BOARD	R2049	C-CARBON R	RN72K1J-220JE	1	4723-220J-P-R
PC BOARD	R2050	C-CARBON R	RN72K1J-220JE	1	4723-220J-P-R
PC BOARD	R2051	C-CARBON R	RN72K1J-000JE	1	4723-000J-P-R
PC BOARD	R2052	C-CARBON R	RN72K1J-220JE	1	4723-220J-P-R
PC BOARD	R2053	C-CARBON R	RN72K1J-220JE	1	4723-220J-P-R
PC BOARD	R2054	C-CARBON R	RN72K1J-103JE	1	4723-103J-P-R
PC BOARD	R2055	C-CARBON R	RN72K1J-220JE	1	4723-220J-P-R
PC BOARD	R2056	C-CARBON R	RN72K1J-220JE	1	4723-220J-P-R
PC BOARD	R2058	C-CARBON R	RN72K1J-470JE	1	4723-470J-P-R
PC BOARD	R2059	C-R NET	RM7LJ101X04	1	8911-0026-0
PC BOARD	R2060	C-R NET	RM7LJ101X04	1	8911-0026-0
PC BOARD	R2061	C-CARBON R	RN72K1J-000JE	1	4723-000J-P-R
PC BOARD	R2062	C-CARBON R	RN72K1J-000JE	1	4723-000J-P-R
PC BOARD	R2063	C-CARBON R	RN72K1J-102JE	1	4723-102J-P-R
PC BOARD	R2064	C-CARBON R	RN72K1J-101JE	1	4723-101J-P-R
PC BOARD	R2065	C-CARBON R	RN72K1J-101JE	1	4723-101J-P-R
PC BOARD	R2066	C-CARBON R	RN72K1J-221JE	1	4723-221J-P-R
PC BOARD	R2067	C-CARBON R	RN72K1J-101JE	1	4723-101J-P-R
PC BOARD	R2068	C-CARBON R	RN72K1J-220JE	1	4723-220J-P-R
PC BOARD	R2069	C-CARBON R	RN72K1J-000JE	1	4723-000J-P-R
PC BOARD	R2101	C-CARBON R	RN72K1J-103JE	1	4723-103J-P-R
PC BOARD	R2102	C-CARBON R	RN72K1J-101JE	1	4723-101J-P-R
PC BOARD	R2103	C-R NET	RM7LJ470X04	1	8911-0031-0
PC BOARD	R2104	C-R NET	RM7LJ470X04	1	8911-0031-0
PC BOARD	R2105	C-R NET	RM7LJ103X04	1	8911-0029-0
PC BOARD	R2106	C-CARBON R	RN72K1J-273JE	1	4723-273J-P-R
PC BOARD	R2107	C-CARBON R	RN72K1J-471JE	1	4723-471J-P-R
PC BOARD	R2108	C-CARBON R	RN72K1J-105JE	1	4723-105J-P-R
PC BOARD	R2109	C-CARBON R	RN72K1J-220JE	1	4723-220J-P-R
PC BOARD	R2110	C-CARBON R	RN72K1J-220JE	1	4723-220J-P-R
PC BOARD	R2111	C-CARBON R	RN72K1J-220JE	1	4723-220J-P-R
PC BOARD	R2112	C-CARBON R	RN72K1J-220JE	1	4723-220J-P-R
PC BOARD	R2113	C-R NET	RM7LJ220X04	1	8911-0030-0
PC BOARD	R2114	C-R NET	RM7LJ470X04	1	8911-0031-0
PC BOARD	R2115	C-CARBON R	RN72K1J-220JE	1	4723-220J-P-R

PC BOARD	R2116	C-CARBON R	RN72K1J-220JE	1	4723-220J-P-R
PC BOARD	R2117	C-CARBON R	RN72K1J-220JE	1	4723-220J-P-R
PC BOARD	R2118	C-CARBON R	RN72K1J-220JE	1	4723-220J-P-R
PC BOARD	R2119	C-CARBON R	RN72K1J-220JE	1	4723-220J-P-R
PC BOARD	R2120	C-CARBON R	RN72K1J-220JE	1	4723-220J-P-R
PC BOARD	R2121	C-CARBON R	RN72K1J-220JE	1	4723-220J-P-R
PC BOARD	R2122	C-CARBON R	RN72K1J-220JE	1	4723-220J-P-R
PC BOARD	R2123	C-CARBON R	RN72K1J-220JE	1	4723-220J-P-R
PC BOARD	R2124	C-CARBON R	RN72K1J-220JE	1	4723-220J-P-R
PC BOARD	R2125	C-CARBON R	RN72K1J-220JE	1	4723-220J-P-R
PC BOARD	R2126	C-R NET	RM7LJ470X04	1	8911-0031-0
PC BOARD	R2127	C-CARBON R	RN72K1J-470JE	1	4723-470J-P-R
PC BOARD	R2128	C-CARBON R	RN72K1J-470JE	1	4723-470J-P-R
PC BOARD	R2129	C-CARBON R	RN72K1J-470JE	1	4723-470J-P-R
PC BOARD	R2130	C-CARBON R	RN72K1J-470JE	1	4723-470J-P-R
PC BOARD	R2131	C-CARBON R	RN72K1J-470JE	1	4723-470J-P-R
PC BOARD	R2132	C-CARBON R	RN72K1J-470JE	1	4723-470J-P-R
PC BOARD	R2133	C-CARBON R	RN72K1J-222JE	1	4723-222J-P-R
PC BOARD	R2134	C-CARBON R	RN72K1J-222JE	1	4723-222J-P-R
PC BOARD	R2135	C-CARBON R	RN72K1J-000JE	1	4723-000J-P-R
PC BOARD	R2136	C-CARBON R	RN72K1J-000JE	1	4723-000J-P-R
PC BOARD	R2137	C-R NET	RM7LJ150X04	1	8911-0032-0
PC BOARD	R2138	C-R NET	RM7LJ150X04	1	8911-0032-0
PC BOARD	R2139	C-R NET	RM7LJ150X04	1	8911-0032-0
PC BOARD	R2140	C-R NET	RM7LJ150X04	1	8911-0032-0
PC BOARD	R2141	C-CARBON R	RN72K1J-103JE	1	4723-103J-P-R
PC BOARD	R2142	C-CARBON R	RN72K1J-103JE	1	4723-103J-P-R
PC BOARD	R2143	C-CARBON R	RN72K1J-103JE	1	4723-103J-P-R
PC BOARD	R2144	C-CARBON R	RN72K1J-220JE	1	4723-220J-P-R
PC BOARD	R2145	C-CARBON R	RN72K1J-470JE	1	4723-470J-P-R
PC BOARD	R2146	C-CARBON R	RN72K1J-470JE	1	4723-470J-P-R
PC BOARD	R2147	C-CARBON R	RN72K1J-470JE	1	4723-470J-P-R
PC BOARD	R2148	C-CARBON R	RN72K1J-220JE	1	4723-220J-P-R
PC BOARD	R2149	C-R NET	RM7LJ470X04	1	8911-0031-0
PC BOARD	R2150	C-CARBON R	RN72K1J-220JE	1	4723-220J-P-R
PC BOARD	R2151	C-R NET	RM7LJ150X04	1	8911-0032-0
PC BOARD	R2152	C-R NET	RM7LJ150X04	1	8911-0032-0
PC BOARD	R2153	C-R NET	RM7LJ150X04	1	8911-0032-0
PC BOARD	R2154	C-R NET	RM7LJ150X04	1	8911-0032-0
PC BOARD	R2155	C-R NET	RM7LJ150X04	1	8911-0032-0
PC BOARD	R2156	C-CARBON R	RN72K1J-150JE	1	4723-150J-P-R
PC BOARD	R2157	C-CARBON R	RN72K1J-470JE	1	4723-470J-P-R
PC BOARD	R2158	C-CARBON R	RN72K1J-472JE	1	4723-472J-P-R
PC BOARD	R2159	C-CARBON R	RN72K1J-103JE	1	4723-103J-P-R
PC BOARD	R2160	C-CARBON R	RN72K1J-103JE	1	4723-103J-P-R
PC BOARD	R2161	C-CARBON R	RN72K1J-102JE	1	4723-102J-P-R
PC BOARD	R2162	C-CARBON R	RN72K1J-472JE	1	4723-472J-P-R
PC BOARD	R2163	C-CARBON R	RN72K1J-000JE	1	4723-000J-P-R
PC BOARD	R2164	C-CARBON R	RN72K1J-220JE	1	4723-220J-P-R
PC BOARD	R2165	C-CARBON R	RN72K1J-220JE	1	4723-220J-P-R
PC BOARD	R2166	C-CARBON R	RN72K1J-220JE	1	4723-220J-P-R
PC BOARD	R2167	C-CARBON R	RN72K1J-220JE	1	4723-220J-P-R
PC BOARD	R2168	C-CARBON R	RN72K1J-000JE	1	4723-000J-P-R
PC BOARD	R2169	C-CARBON R	RN72K1J-000JE	1	4723-000J-P-R
PC BOARD	R2191	C-CARBON R	RN72K1J-103JE	1	4723-103J-P-R
PC BOARD	R2601	C-CARBON R	RN72K1J-561FE	1	4723-561A-P-AC
PC BOARD	R2602	C-CARBON R	RN72K1J-220JE	1	4723-220J-P-R
PC BOARD	R2603	C-CARBON R	RN72K1J-101JE	1	4723-101J-P-R
PC BOARD	R2604	C-CARBON R	RN72K1J-101JE	1	4723-101J-P-R
PC BOARD	R2605	C-CARBON R	RN72K1J-220JE	1	4723-220J-P-R
PC BOARD	R2607	C-CARBON R	RN72K1J-000JE	1	4723-000J-P-R
PC BOARD	R2608	C-CARBON R	RN72K1J-000JE	1	4723-000J-P-R
PC BOARD	R2609	C-CARBON R	RN72K1J-000JE	1	4723-000J-P-R
PC BOARD	R2901	C-CARBON R	RN72K1J-000JE	1	4723-000J-P-R
PC BOARD	R2902	C-CARBON R	RN72K1J-000JE	1	4723-000J-P-R
PC BOARD	R2903	C-CARBON R	RN72K1J-000JE	1	4723-000J-P-R
PC BOARD	R2907	C-CARBON R	RN72K1J-333FE	1	4723-333A-P-R
PC BOARD	R2908	C-CARBON R	RN72K1J-133FE	1	4723-133A-P-R

PC BOARD	R2909	C-CARBON R	RN72K1J-911FE	1	4723-911A-P-R
PC BOARD	R2910	C-CARBON R	RN72K1J-121FE	1	4723-121A-P-R
PC BOARD	R2911	C-CARBON R	RN72K1J-121FE	1	4723-121A-P-R
PC BOARD	X1301	CRYSTAL	FCX03-33.868MHz	1	2300-2390-0
PC BOARD	X2601	CRYSTAL	FCX-03-27MHz	1	2300-2220-0
PC BOARD	C2028	CHIP ELECT C	CEWX16V-47M	1	157D-476M-3-LJ
PC BOARD	C2029	C-CERA C	CK725F1A-105Z1	1	150C-105Z-P-AC
PC BOARD	C2032	C-CERA C	CK725F1A-105Z1	1	150C-105Z-P-AC
PC BOARD	C2033	C-CERA C	CK725F1A-105Z1	1	150C-105Z-P-AC
PC BOARD	P2005A	PLUG	SM06B-SRSS-TB	1	2101-3027-0
PC BOARD	Q2003	IC	NJM2373AF	1	3132-0120-0
PC BOARD	R2020	C-CARBON R	RN72K1J-101JE	1	4723-101J-P-R
PC BOARD	R2021	C-CARBON R	RN72K1J-000JE	1	4723-000J-P-R
PC BOARD	R2026	C-CARBON R	RN72K1J-271FE	1	4723-271A-P-R
PC BOARD	R2027	C-CARBON R	RN72K1J-271FE	1	4723-271A-P-R
PC BOARD	R2028	C-CARBON R	RN72K1J-332FE	1	4723-332A-P-R
PC BOARD	R2032	C-CARBON R	RN72K1J-271FE	1	4723-271A-P-R
PC BOARD	R2033	C-CARBON R	RN72K1J-152FE	1	4723-152A-P-R
PC BOARD	R2034	C-CARBON R	RN72K1J-271FE	1	4723-271A-P-R
PC BOARD	R2035	C-CARBON R	RN72K1J-152FE	1	4723-152A-P-R
PC BOARD	R2036	C-CARBON R	RN72K1J-271FE	1	4723-271A-P-R
PC BOARD	R2037	C-CARBON R	RN72K1J-152FE	1	4723-152A-P-R

PC BOARD PARTS LIST

- U02** Audio output terminal PC board assy
- U03** Standby switch PC board assy
- U05** Disc sensor PC boars assy
- U06** Illumination PC board assy
- U07** Roulette motor PC board assy
- U08** Loading motor PC board assy

	REF NO	NAME	DESCRIPTION	QTY	PART NO	REMARKS
PC BOARD	C4001	C-CERA C	CK725F1A-105Z1	1	150C-105Z-P-AC	
PC BOARD	C4002	C-CERA C	CK725F1A-105Z1	1	150C-105Z-P-AC	
PC BOARD	C4003	C-CERA C	CK725F1A-105Z1	1	150C-105Z-P-AC	
PC BOARD	C4004	C-CERA C	CK725F1A-105Z1	1	150C-105Z-P-AC	
PC BOARD	C4005	C-CERA C	CK725F1A-105Z1	1	150C-105Z-P-AC	
PC BOARD	C4006	C-CERA C	CK725F1A-105Z1	1	150C-105Z-P-AC	
PC BOARD	C4007	C-CERA C	CK725F1A-105Z1	1	150C-105Z-P-AC	
PC BOARD	C4008	C-CERA C	CK725F1A-105Z1	1	150C-105Z-P-AC	
PC BOARD	C4009	C-CERA C	CK725F1A-105Z1	1	150C-105Z-P-AC	
PC BOARD	C4010	ELECT C	CE04W6.3V220M(SC)	1	157B-227M-K-IUI	
PC BOARD	C4011	C-CERA C	CK725F1A-105Z1	1	150C-105Z-P-AC	
PC BOARD	C4012	ELECT C	CE04W6.3V220M(SC)	1	157B-227M-K-IUI	
PC BOARD	C4013	C-CERA C	CK725F1A-105Z1	1	150C-105Z-P-AC	
PC BOARD	C4014	C-CERA C	CK725F1A-105Z1	1	150C-105Z-P-AC	
PC BOARD	C4015	C-CERA C	CK725F1A-105Z1	1	150C-105Z-P-AC	
PC BOARD	C4016	C-CERA C	CC725CH1H-120J1	1	15CH-120J-P-AC	
PC BOARD	C4017	C-CERA C	CC725CH1H-120J1	1	15CH-120J-P-AC	
PC BOARD	C4018	ELECT C	CE04W6.3V100M(SC)	1	157B-107M-K-IUI	
PC BOARD	C4019	C-CERA C	CK725F1E-104Z1	1	150F-104K-P-AC	
PC BOARD	C4020	ELECT C	CE04W6.3V220M(SC)	1	157B-227M-K-IUI	
PC BOARD	C4021	C-CERA C	CK725F1A-105Z1	1	150C-105Z-P-AC	
PC BOARD	C4022	ELECT C	CE04W6.3V220M(SC)	1	157B-227M-K-IUI	
PC BOARD	C4023	C-CERA C	CK725F1A-105Z1	1	150C-105Z-P-AC	
PC BOARD	C4024	ELECT C	CE04W6.3V100M(SC)	1	157B-107M-K-IUI	
PC BOARD	C4025	C-CERA C	CK725F1E-104Z1	1	150F-104K-P-AC	
PC BOARD	C4026	C-CERA C	CK725F1A-105Z1	1	150C-105Z-P-AC	
PC BOARD	C4027	C-CERA C	CK725F1E-104Z1	1	150F-104K-P-AC	
PC BOARD	C4031	ELECT C	CE04W6.3V220M(SC)	1	157B-227M-K-IUI	
PC BOARD	C4032	C-CERA C	CK725F1A-105Z1	1	150C-105Z-P-AC	
PC BOARD	C4302	C-CERA C	CK725F1A-105Z1	1	150C-105Z-P-AC	
PC BOARD	C4303	ELECT C	CE04W16V47M(SC)	1	157D-476M-K-IUI	
PC BOARD	C4304	C-CERA C	CK725F1E-104Z1	1	150F-104K-P-AC	
PC BOARD	C4305	ELECT C	CE04W16V47M(SC)	1	157D-476M-K-IUI	
PC BOARD	C4306	C-CERA C	CK725F1E-104Z1	1	150F-104K-P-AC	
PC BOARD	C4307	ELECT C	CE04W6.3V100M(SC)	1	157B-107M-K-IUI	
PC BOARD	C4308	C-CERA C	CK725F1E-104Z1	1	150F-104K-P-AC	
PC BOARD	C4309	ELECT C	CE04W16V47M(SC)	1	157D-476M-K-IUI	

PC BOARD	C4310	C-CERA C	CK725F1E-104Z1	1	150F-104K-P-AC
PC BOARD	C4311	ELECT C	CE04W6.3V220M(SC)	1	157B-227M-K-IUI
PC BOARD	C4313	ELECT C	CE04W6.3V100M(SC)	1	157B-107M-K-IUI
PC BOARD	C4315	ELECT C	CE04W6.3V100M(SC)	1	157B-107M-K-IUI
PC BOARD	C4318	ELECT C	CE04W6.3V220M(SC)	1	157B-227M-K-IUI
PC BOARD	C4319	C-CERA C	CK725F1E-104Z1	1	150F-104K-P-AC
PC BOARD	C4321	TF C	ECQ-B50V-681J	1	153F-681J-K-NUN
PC BOARD	C4322	TF C	ECQ-B50V-681J	1	153F-681J-K-NUN
PC BOARD	C4323	TF C	ECQ-B50V-681J	1	153F-681J-K-NUN
PC BOARD	C4324	TF C	ECQ-B50V-681J	1	153F-681J-K-NUN
PC BOARD	C4325	ELECT C	CE04W16V10M(SC)	1	157D-106M-K-IUI
PC BOARD	C4326	ELECT C	CE04W16V10M(SC)	1	157D-106M-K-IUI
PC BOARD	C4329	ELECT C	CE04W16V470M(SC)	1	157D-477M-K-OVI
PC BOARD	C4331	ELECT C	CE04W16V470M(SC)	1	157D-477M-K-OVI
PC BOARD	C4333	C-CERA C	CK725F1E-104Z1	1	150F-104K-P-AC
PC BOARD	C4335	C-CERA C	CK725F1E-104Z1	1	150F-104K-P-AC
PC BOARD	C4337	C-CERA C	CC725CH1H-680J1	1	15CH-680J-P-ACM
PC BOARD	C4338	C-CERA C	CC725CH1H-680J1	1	15CH-680J-P-ACM
PC BOARD	C4339	TF C	ECQ-B50V-272J	1	153F-272J-K-MMN
PC BOARD	C4340	TF C	ECQ-B50V-272J	1	153F-272J-K-MMN
PC BOARD	C4341	TF C	ECQ-B50V-122J	1	153F-122J-K-MMN
PC BOARD	C4342	TF C	ECQ-B50V-122J	1	153F-122J-K-MMN
PC BOARD	C4421	TF C	ECQ-B50V-681J	1	153F-681J-K-NUN
PC BOARD	C4422	TF C	ECQ-B50V-681J	1	153F-681J-K-NUN
PC BOARD	C4423	TF C	ECQ-B50V-681J	1	153F-681J-K-NUN
PC BOARD	C4424	TF C	ECQ-B50V-681J	1	153F-681J-K-NUN
PC BOARD	C4425	ELECT C	CE04W16V10M(SC)	1	157D-106M-K-IUI
PC BOARD	C4426	ELECT C	CE04W16V10M(SC)	1	157D-106M-K-IUI
PC BOARD	C4429	ELECT C	CE04W16V470M(SC)	1	157D-477M-K-OVI
PC BOARD	C4431	ELECT C	CE04W16V470M(SC)	1	157D-477M-K-OVI
PC BOARD	C4433	C-CERA C	CK725F1E-104Z1	1	150F-104K-P-AC
PC BOARD	C4435	C-CERA C	CK725F1E-104Z1	1	150F-104K-P-AC
PC BOARD	C4437	C-CERA C	CC725CH1H-680J1	1	15CH-680J-P-ACM
PC BOARD	C4438	C-CERA C	CC725CH1H-680J1	1	15CH-680J-P-ACM
PC BOARD	C4439	TF C	ECQ-B50V-272J	1	153F-272J-K-MMN
PC BOARD	C4440	TF C	ECQ-B50V-272J	1	153F-272J-K-MMN
PC BOARD	C4441	TF C	ECQ-B50V-122J	1	153F-122J-K-MMN
PC BOARD	C4442	TF C	ECQ-B50V-122J	1	153F-122J-K-MMN
PC BOARD	C4521	TF C	ECQ-B50V-681J	1	153F-681J-K-NUN
PC BOARD	C4522	TF C	ECQ-B50V-681J	1	153F-681J-K-NUN
PC BOARD	C4523	TF C	ECQ-B50V-681J	1	153F-681J-K-NUN
PC BOARD	C4524	TF C	ECQ-B50V-681J	1	153F-681J-K-NUN
PC BOARD	C4525	ELECT C	CE04W16V10M(SC)	1	157D-106M-K-IUI
PC BOARD	C4526	ELECT C	CE04W16V10M(SC)	1	157D-106M-K-IUI
PC BOARD	C4529	ELECT C	CE04W16V470M(SC)	1	157D-477M-K-OVI
PC BOARD	C4531	ELECT C	CE04W16V470M(SC)	1	157D-477M-K-OVI
PC BOARD	C4533	C-CERA C	CK725F1E-104Z1	1	150F-104K-P-AC
PC BOARD	C4535	C-CERA C	CK725F1E-104Z1	1	150F-104K-P-AC
PC BOARD	C4537	C-CERA C	CC725CH1H-680J1	1	15CH-680J-P-ACM
PC BOARD	C4538	C-CERA C	CC725CH1H-680J1	1	15CH-680J-P-ACM
PC BOARD	C4539	TF C	ECQ-B50V-272J	1	153F-272J-K-MMN
PC BOARD	C4540	TF C	ECQ-B50V-272J	1	153F-272J-K-MMN
PC BOARD	C4541	TF C	ECQ-B50V-122J	1	153F-122J-K-MMN
PC BOARD	C4542	TF C	ECQ-B50V-122J	1	153F-122J-K-MMN
PC BOARD	C4704	C-CARBON R	RN72K1J-000JE	1	4723-000J-P-R
PC BOARD	C4705	C-CARBON R	RN72K1J-000JE	1	4723-000J-P-R
PC BOARD	C4706	C-CARBON R	RN72K1J-000JE	1	4723-000J-P-R
PC BOARD	C4707	C-CARBON R	RN72K1J-000JE	1	4723-000J-P-R
PC BOARD	C4708	C-CARBON R	RN72K1J-000JE	1	4723-000J-P-R
PC BOARD	C4751	ELECT C	CE04W50V47M(SC)	1	157F-476M-K-LUI
PC BOARD	C4752	ELECT C	CE04W50V47M(SC)	1	157F-476M-K-LUI
PC BOARD	C4851	ELECT C	CE04W50V47M(SC)	1	157F-476M-K-LUI
PC BOARD	C4852	ELECT C	CE04W50V47M(SC)	1	157F-476M-K-LUI
PC BOARD	C4853	ELECT C	CE04W6.3V2200M(SC)	1	157B-228M-K-S9I
PC BOARD	C4901	ELECT C	CE04W50V47M(SC)	1	157F-476M-K-LUI
PC BOARD	C4902	ELECT C	CE04W50V47M(SC)	1	157F-476M-K-LUI
PC BOARD	C4981	ELECT C	CE04W16V470M(SC)	1	157D-477M-K-OVI
PC BOARD	C4982	ELECT C	CE04W16V470M(SC)	1	157D-477M-K-OVI

PC BOARD	C4983	C-CERA C	CK725F1E-104Z1	1	150F-104K-P-AC
PC BOARD	C4984	C-CERA C	CK725F1E-104Z1	1	150F-104K-P-AC
PC BOARD	C655	C-CERA C	CK725F1E-104Z1	1	150F-104K-P-AC
PC BOARD	C656	C-CERA C	CK725F1E-104Z1	1	150F-104K-P-AC
PC BOARD	C754	C-CERA C	CK725F1H-223Z1	1	150F-223M-P-AC
PC BOARD	C761	C-CERA C	CK725F1H-223Z1	1	150F-223M-P-AC
PC BOARD	C762	C-CERA C	CK725F1E-104Z1	1	150F-104K-P-AC
PC BOARD	C871	C-CERA C	CK725F1E-104Z1	1	150F-104K-P-AC
PC BOARD	C873	C-CERA C	CK725F1E-104Z1	1	150F-104K-P-AC
PC BOARD	C951	ELECT C	CE04W6.3V1000M(SC)	1	157B-108M-5-OVI
PC BOARD	C952	C-CERA C	CK725F1E-104Z1	1	150F-104K-P-AC
PC BOARD	C953	ELECT C	CE04W16V10M(SC)	1	157D-106M-K-IUI
PC BOARD	C954	C-CERA C	CK725F1E-104Z1	1	150F-104K-P-AC
PC BOARD	C956	ELECT C	CE04W16V10M(SC)	1	157D-106M-K-IUI
PC BOARD	C957	C-CERA C	CK725F1E-104Z1	1	150F-104K-P-AC
PC BOARD	C959	ELECT C	CE04W6.3V100M(SC)	1	157B-107M-K-IUI
PC BOARD	C960	ELECT C	CE04W16V100M(SC)	1	157D-107M-K-IUI
PC BOARD	C961	ELECT C	CE04W16V100M(SC)	1	157D-107M-K-IUI
PC BOARD	C962	ELECT C	CE04W35V10M(SC)	1	157Q-106M-K-IUI
PC BOARD	C963	C-CERA C	CK725F1E-104Z1	1	150F-104K-P-AC
PC BOARD	C964	ELECT C	CE04W16V470M(SC)	1	157D-477M-K-OVI
PC BOARD	C965	ELECT C	CE04W16V470M(SC)	1	157D-477M-K-OVI
PC BOARD	C966	ELECT C	CE04W16V470M(SC)	1	157D-477M-K-OVI
PC BOARD	C967	ELECT C	CE04W16V470M(SC)	1	157D-477M-K-OVI
PC BOARD	C968	TF C	ECQ-V50V-104J	1	153F-104J-K-MMN
PC BOARD	C969	TF C	ECQ-V50V-104J	1	153F-104J-K-MMN
PC BOARD	D4002	C-DIODE	1SS352	1	480S-3520-3
PC BOARD	D4002 or	C-DIODE	1SS355	(1)	4840-1660-0
PC BOARD	D4003	C-DIODE	1SS352	1	480S-3520-3
PC BOARD	D4003 or	C-DIODE	1SS355	(1)	4840-1660-0
PC BOARD	D4751	C-DIODE	1SS352	1	480S-3520-3
PC BOARD	D4751 or	C-DIODE	1SS355	(1)	4840-1660-0
PC BOARD	D4752	C-DIODE	1SS352	1	480S-3520-3
PC BOARD	D4752 or	C-DIODE	1SS355	(1)	4840-1660-0
PC BOARD	D4801	C-DIODE	1SS352	1	480S-3520-3
PC BOARD	D4801 or	C-DIODE	1SS355	(1)	4840-1660-0
PC BOARD	D4802	C-DIODE	1SS352	1	480S-3520-3
PC BOARD	D4802 or	C-DIODE	1SS355	(1)	4840-1660-0
PC BOARD	D4851	C-DIODE	1SS352	1	480S-3520-3
PC BOARD	D4851 or	C-DIODE	1SS355	(1)	4840-1660-0
PC BOARD	D4852	C-DIODE	1SS352	1	480S-3520-3
PC BOARD	D4852 or	C-DIODE	1SS355	(1)	4840-1660-0
PC BOARD	D4853	C-DIODE	1SS352	1	480S-3520-3
PC BOARD	D4853 or	C-DIODE	1SS355	(1)	4840-1660-0
PC BOARD	D4854	C-DIODE	1SS352	1	480S-3520-3
PC BOARD	D4854 or	C-DIODE	1SS355	(1)	4840-1660-0
PC BOARD	D4855	C-DIODE	1SS352	1	480S-3520-3
PC BOARD	D4855 or	C-DIODE	1SS355	(1)	4840-1660-0
PC BOARD	D4856	C-DIODE	1SS352	1	480S-3520-3
PC BOARD	D4856 or	C-DIODE	1SS355	(1)	4840-1660-0
PC BOARD	D4857	C-DIODE	1SS352	1	480S-3520-3
PC BOARD	D4857 or	C-DIODE	1SS355	(1)	4840-1660-0
PC BOARD	D4901	C-DIODE	1SS352	1	480S-3520-3
PC BOARD	D4901 or	C-DIODE	1SS355	(1)	4840-1660-0
PC BOARD	D4902	C-DIODE	1SS352	1	480S-3520-3
PC BOARD	D4902 or	C-DIODE	1SS355	(1)	4840-1660-0
PC BOARD	D801	LED	SELU2E10C-P	1	3700-2838-B
PC BOARD	D801A	HOLDER	(LED)LA-5-6	1	4171-0021-0
PC BOARD	D802	LED	SELU2E10C-P	1	3700-2838-B
PC BOARD	D802A	HOLDER	(LED)LA-5-6	1	4171-0021-0
PC BOARD	D803	LED	SLI-343URC-T32	1	3700-2839-R
PC BOARD	L4001	CHOKE COIL	NCH-1471	1	1803-0064-0
PC BOARD	L4002	CHOKE COIL	NCH-1471	1	1803-0064-0
PC BOARD	L4003	CHOKE COIL	NCH-1471	1	1803-0064-0
PC BOARD	L4302	CHOKE COIL	NCH-1471	1	1803-0064-0
PC BOARD	L4303	CHOKE COIL	NCH-1471	1	1803-0064-0
PC BOARD	L951	CHOKE COIL	NCH-3608K470	1	1803-0075-0
PC BOARD	L952	CHOKE COIL	NCH-3608K470	1	1803-0075-0

PC BOARD	P1302B	PLUG	BM20B-SURS-TF	1	2101-3026-0
PC BOARD	P2003B	PLUG	BM20B-SURS-TF	1	2101-3026-0
PC BOARD	P2004B	PLUG	SM16B-SURS-TF	1	2101-3020-0
PC BOARD	P2701B	PLUG	NPLG-7P135	1	2101-1522-0
PC BOARD	P2711A	PLUG	2002P0700T	1	2101-3009-0
PC BOARD	P2901B	PLUG	NPLG-6P134	1	2113-1837-0
PC BOARD	P501A	PLUG	NPLG-4P118	1	2101-3025-0
PC BOARD	P502A	PLUG	2002P0300T	1	2101-3008-0
PC BOARD	P6104	WS CLAMP	CP-1S	1	6360-9650-0
PC BOARD	P706	PLUG	NPLG-8P428	1	2101-1510-0
PC BOARD	P706B	PLUG	NPLG-8P428	1	2101-1510-0
PC BOARD	P707B	SOCKET	NSCT-6P2136	1	2101-1422-0
PC BOARD	P707B or	SOCKET	NSCT-6P1637	(1)	2101-1539-0
PC BOARD	P707B or	SOCKET	NSCT-6P1839	(1)	2101-1541-0
PC BOARD	P708B	SOCKET AS	NSAS-4P1409	1	7012-6807-0
PC BOARD	P709A	PLUG	2002P0200T	1	2101-3007-0
PC BOARD	P709B	SOCKET AS	NSAS-4P1410	1	7012-6808-0
PC BOARD	P805	PLUG	2003P0500T	1	2101-3013-0
PC BOARD	P806A	SOCKET AS	NSAS-4P1411	1	7012-6809-0
PC BOARD	P951	PLUG	2002P1000T	1	2101-3010-0
PC BOARD	P952B	SOCKET AS	NSAS-30P1355	1	7012-6826-0
PC BOARD	Q4005	IC	CY7C1019BV33-15VCT	1	3132-1811-0
PC BOARD	Q4005 or	IC	CY7C1019CV33-15VCT	(1)	3132-1991-0
PC BOARD	Q4006	IC	CY7C1019BV33-15VCT	1	3132-1811-0
PC BOARD	Q4006 or	IC	CY7C1019CV33-15VCT	(1)	3132-1991-0
PC BOARD	Q4009	IC	NJM2391DL1-285	1	3132-1821-0
PC BOARD	Q4010	IC	TC74VHC74FT	1	3132-1831-0
PC BOARD	Q4011	IC	TC7SZ125FU	1	3132-0140-0
PC BOARD	Q4012	IC	MB86344BPFV	1	3132-1841-0
PC BOARD	Q4019	IC	TC7WH241FU	1	3132-1851-0
PC BOARD	Q4208	TR	DTC144EK	1	4860-1330-3
PC BOARD	Q4208 or	TR	RN1404	(1)	4851-4040-3
PC BOARD	Q4208 or	TR	KRC104S	(1)	4851-04S0-3
PC BOARD	Q4301	IC(REGULATOR)	78M05(NJM78M05FA)	1	3131-7871-0
PC BOARD	Q4302	IC	NJM2860F3-33	1	3132-1861-0
PC BOARD	Q4303	TR	DTC114YKA	1	485C-1140-3
PC BOARD	Q4303 or	TR	RN1407	(1)	4851-4070-3
PC BOARD	Q4303 or	TR	KRC107S	(1)	4851-07S0-3
PC BOARD	Q4304	IC	WM8756	1	3132-1901-0
PC BOARD	Q4305	TR	DTC114YKA	1	485C-1140-3
PC BOARD	Q4321	IC	NJM4580M-D	1	3131-9970-0
PC BOARD	Q4322	IC	NJM4580M-D	1	3131-9970-0
PC BOARD	Q4323	IC	NJM4580M-D	1	3131-9970-0
PC BOARD	Q4324	IC	NJM4580M-D	1	3131-9970-0
PC BOARD	Q4421	IC	NJM4580M-D	1	3131-9970-0
PC BOARD	Q4422	IC	NJM4580M-D	1	3131-9970-0
PC BOARD	Q4423	IC	NJM4580M-D	1	3131-9970-0
PC BOARD	Q4424	IC	NJM4580M-D	1	3131-9970-0
PC BOARD	Q4521	IC	NJM4580M-D	1	3131-9970-0
PC BOARD	Q4522	IC	NJM4580M-D	1	3131-9970-0
PC BOARD	Q4523	IC	NJM4580M-D	1	3131-9970-0
PC BOARD	Q4524	IC	NJM4580M-D	1	3131-9970-0
PC BOARD	Q4751	IC	NJM4580M-D	1	3131-9970-0
PC BOARD	Q4753	TR	2SC2712-GR	1	4852-712G-3
PC BOARD	Q4754	TR	2SC2712-GR	1	4852-712G-3
PC BOARD	Q4755	TR	HN1C03F-B	1	485C-03FB-3
PC BOARD	Q4756	TR	HN1C03F-B	1	485C-03FB-3
PC BOARD	Q4803	TR	HN1C03F-B	1	485C-03FB-3
PC BOARD	Q4804	TR	HN1C03F-B	1	485C-03FB-3
PC BOARD	Q4851	IC	NJM4580M-D	1	3131-9970-0
PC BOARD	Q4852	TR	RN2405	1	4852-4050-3
PC BOARD	Q4852 or	TR	DTA123JKA	(1)	485A-1230-3
PC BOARD	Q4857	TR	HN1C03F-B	1	485C-03FB-3
PC BOARD	Q4858	TR	HN1C03F-B	1	485C-03FB-3
PC BOARD	Q4903	TR	HN1C03F-B	1	485C-03FB-3
PC BOARD	Q4904	TR	HN1C03F-B	1	485C-03FB-3
PC BOARD	Q716	PHT INT	GP2S28	1	481P-2S28-3
PC BOARD	Q717	PHT CP	RPI-576	1	481P-1576-3

PC BOARD	Q805	TR	DTC114YKA	1	485C-1140-3
PC BOARD	Q805 or	TR	RN1407	(1)	4851-4070-3
PC BOARD	Q805 or	TR	KRC107S	(1)	4851-07S0-3
PC BOARD	Q807	TR	DTC114YKA	1	485C-1140-3
PC BOARD	Q807 or	TR	RN1407	(1)	4851-4070-3
PC BOARD	Q807 or	TR	KRC107S	(1)	4851-07S0-3
PC BOARD	Q955	IC(REGULATOR)	78M12HF	1	3131-7820-0
PC BOARD	Q956	IC(REGULATOR)	79M12HF	1	3132-1801-0
PC BOARD	R4001	C-CARBON R	RN72K1J-470JE	1	4723-470J-P-R
PC BOARD	R4004	C-CARBON R	RN72K1J-470JE	1	4723-470J-P-R
PC BOARD	R4005	C-CARBON R	RN72K1J-101JE	1	4723-101J-P-R
PC BOARD	R4013	C-CARBON R	RN72K1J-000JE	1	4723-000J-P-R
PC BOARD	R4014	C-CARBON R	RN72K1J-000JE	1	4723-000J-P-R
PC BOARD	R4015	C-CARBON R	RN72K1J-000JE	1	4723-000J-P-R
PC BOARD	R4016	C-CARBON R	RN72K1J-000JE	1	4723-000J-P-R
PC BOARD	R4017	C-CARBON R	RN72K1J-000JE	1	4723-000J-P-R
PC BOARD	R4018	C-CARBON R	RN72K1J-000JE	1	4723-000J-P-R
PC BOARD	R4020	C-CARBON R	RN72K1J-000JE	1	4723-000J-P-R
PC BOARD	R4021	C-CARBON R	RN72K1J-000JE	1	4723-000J-P-R
PC BOARD	R4022	C-CARBON R	RN72K1J-000JE	1	4723-000J-P-R
PC BOARD	R4023	C-CARBON R	RN72K1J-000JE	1	4723-000J-P-R
PC BOARD	R4024	C-CARBON R	RN72K1J-000JE	1	4723-000J-P-R
PC BOARD	R4025	C-CARBON R	RN72K1J-000JE	1	4723-000J-P-R
PC BOARD	R4026	C-CARBON R	RN72K1J-000JE	1	4723-000J-P-R
PC BOARD	R4027	C-CARBON R	RN72K1J-000JE	1	4723-000J-P-R
PC BOARD	R4028	C-CARBON R	RN72K1J-000JE	1	4723-000J-P-R
PC BOARD	R4029	C-CARBON R	RN72K1J-000JE	1	4723-000J-P-R
PC BOARD	R4030	C-CARBON R	RN72K1J-000JE	1	4723-000J-P-R
PC BOARD	R4031	C-CARBON R	RN72K1J-000JE	1	4723-000J-P-R
PC BOARD	R4032	C-CARBON R	RN72K1J-000JE	1	4723-000J-P-R
PC BOARD	R4037	C-CARBON R	RN72K1J-000JE	1	4723-000J-P-R
PC BOARD	R4038	C-CARBON R	RN72K1J-000JE	1	4723-000J-P-R
PC BOARD	R4039	C-CARBON R	RN72K1J-000JE	1	4723-000J-P-R
PC BOARD	R4040	C-CARBON R	RN72K1J-000JE	1	4723-000J-P-R
PC BOARD	R4041	C-CARBON R	RN72K1J-470JE	1	4723-470J-P-R
PC BOARD	R4042	C-CARBON R	RN72K1J-470JE	1	4723-470J-P-R
PC BOARD	R4043	C-CARBON R	RN72K1J-101JE	1	4723-101J-P-R
PC BOARD	R4046	C-CARBON R	RN72K1J-000JE	1	4723-000J-P-R
PC BOARD	R4050	METAL R	RNU1/2WCJ-0.82	1	4717-R82J-K-X
PC BOARD	R4051	C-CARBON R	RN72K1J-560JE	1	4723-560J-P-R
PC BOARD	R4052	C-CARBON R	RN72K1J-560JE	1	4723-560J-P-R
PC BOARD	R4053	C-CARBON R	RN72K1J-560JE	1	4723-560J-P-R
PC BOARD	R4054	C-CARBON R	RN72K1J-560JE	1	4723-560J-P-R
PC BOARD	R4055	C-CARBON R	RN72K1J-560JE	1	4723-560J-P-R
PC BOARD	R4056	C-CARBON R	RN72K1J-102JE	1	4723-102J-P-R
PC BOARD	R4057	C-CARBON R	RN72K1J-000JE	1	4723-000J-P-R
PC BOARD	R4058	C-CARBON R	RN72K1J-560JE	1	4723-560J-P-R
PC BOARD	R4059	C-CARBON R	RN72K1J-560JE	1	4723-560J-P-R
PC BOARD	R4060	C-CARBON R	RN72K1J-560JE	1	4723-560J-P-R
PC BOARD	R4061	C-CARBON R	RN72K1J-560JE	1	4723-560J-P-R
PC BOARD	R4062	C-CARBON R	RN72K1J-560JE	1	4723-560J-P-R
PC BOARD	R4063	C-CARBON R	RN72K1J-560JE	1	4723-560J-P-R
PC BOARD	R4064	C-CARBON R	RN72K1J-472JE	1	4723-472J-P-R
PC BOARD	R4065	C-CARBON R	RN72K1J-102JE	1	4723-102J-P-R
PC BOARD	R4066	C-CARBON R	RN72K1J-101JE	1	4723-101J-P-R
PC BOARD	R4067	C-CARBON R	RN72K1J-560JE	1	4723-560J-P-R
PC BOARD	R4071	C-CARBON R	RN72K1J-560JE	1	4723-560J-P-R
PC BOARD	R4072	C-CARBON R	RN72K1J-102JE	1	4723-102J-P-R
PC BOARD	R4073	C-CARBON R	RN72K1J-560JE	1	4723-560J-P-R
PC BOARD	R4074	C-CARBON R	RN72K1J-560JE	1	4723-560J-P-R
PC BOARD	R4075	C-CARBON R	RN72K1J-102JE	1	4723-102J-P-R
PC BOARD	R4076	C-CARBON R	RN72K1J-102JE	1	4723-102J-P-R
PC BOARD	R4077	C-CARBON R	RN72K1J-102JE	1	4723-102J-P-R
PC BOARD	R4078	C-CARBON R	RN72K1J-560JE	1	4723-560J-P-R
PC BOARD	R4079	C-CARBON R	RN72K1J-102JE	1	4723-102J-P-R
PC BOARD	R4080	C-CARBON R	RN72K1J-102JE	1	4723-102J-P-R
PC BOARD	R4081	C-CARBON R	RN72K1J-560JE	1	4723-560J-P-R
PC BOARD	R4082	C-CARBON R	RN72K1J-560JE	1	4723-560J-P-R

PC BOARD	R4763	C-CARBON R	RN72K1J-221JE	1	4723-221J-P-R
PC BOARD	R4764	C-CARBON R	RN72K1J-221JE	1	4723-221J-P-R
PC BOARD	R4765	C-CARBON R	RN72K1J-332JE	1	4723-332J-P-R
PC BOARD	R4766	C-CARBON R	RN72K1J-332JE	1	4723-332J-P-R
PC BOARD	R4767	C-CARBON R	RN72K1J-332JE	1	4723-332J-P-R
PC BOARD	R4768	C-CARBON R	RN72K1J-332JE	1	4723-332J-P-R
PC BOARD	R4769	C-CARBON R	RN72K1J-105JE	1	4723-105J-P-R
PC BOARD	R4770	C-CARBON R	RN72K1J-684JE	1	4723-684J-P-R
PC BOARD	R4801	C-CARBON R	RN72K1J-473JE	1	4723-473J-P-R
PC BOARD	R4802	C-CARBON R	RN72K1J-473JE	1	4723-473J-P-R
PC BOARD	R4803	C-CARBON R	RN72K1J-391JE	1	4723-391J-P-R
PC BOARD	R4804	C-CARBON R	RN72K1J-391JE	1	4723-391J-P-R
PC BOARD	R4805	C-CARBON R	RN72K1J-221JE	1	4723-221J-P-R
PC BOARD	R4806	C-CARBON R	RN72K1J-221JE	1	4723-221J-P-R
PC BOARD	R4815	C-CARBON R	RN72K1J-332JE	1	4723-332J-P-R
PC BOARD	R4816	C-CARBON R	RN72K1J-332JE	1	4723-332J-P-R
PC BOARD	R4817	C-CARBON R	RN72K1J-332JE	1	4723-332J-P-R
PC BOARD	R4818	C-CARBON R	RN72K1J-332JE	1	4723-332J-P-R
PC BOARD	R4851	C-CARBON R	RN72K1J-102JE	1	4723-102J-P-R
PC BOARD	R4852	C-CARBON R	RN72K1J-102JE	1	4723-102J-P-R
PC BOARD	R4853	C-CARBON R	RN72K1J-272JE	1	4723-272J-P-R
PC BOARD	R4854	C-CARBON R	RN72K1J-272JE	1	4723-272J-P-R
PC BOARD	R4855	C-CARBON R	RN72K1J-181JE	1	4723-181J-P-R
PC BOARD	R4856	C-CARBON R	RN72K1J-181JE	1	4723-181J-P-R
PC BOARD	R4857	C-CARBON R	RN72K1J-102JE	1	4723-102J-P-R
PC BOARD	R4858	C-CARBON R	RN72K1J-102JE	1	4723-102J-P-R
PC BOARD	R4859	C-CARBON R	RN72K1J-473JE	1	4723-473J-P-R
PC BOARD	R4860	C-CARBON R	RN72K1J-473JE	1	4723-473J-P-R
PC BOARD	R4861	C-CARBON R	RN72K1J-391JE	1	4723-391J-P-R
PC BOARD	R4862	C-CARBON R	RN72K1J-391JE	1	4723-391J-P-R
PC BOARD	R4863	C-CARBON R	RN72K1J-221JE	1	4723-221J-P-R
PC BOARD	R4864	C-CARBON R	RN72K1J-221JE	1	4723-221J-P-R
PC BOARD	R4865	C-CARBON R	RN72K1J-332JE	1	4723-332J-P-R
PC BOARD	R4866	C-CARBON R	RN72K1J-332JE	1	4723-332J-P-R
PC BOARD	R4867	C-CARBON R	RN72K1J-332JE	1	4723-332J-P-R
PC BOARD	R4868	C-CARBON R	RN72K1J-332JE	1	4723-332J-P-R
PC BOARD	R4869	C-CARBON R	RN72K1J-684JE	1	4723-684J-P-R
PC BOARD	R4870	C-CARBON R	RN72K1J-105JE	1	4723-105J-P-R
PC BOARD	R4901	C-CARBON R	RN72K1J-473JE	1	4723-473J-P-R
PC BOARD	R4902	C-CARBON R	RN72K1J-473JE	1	4723-473J-P-R
PC BOARD	R4903	C-CARBON R	RN72K1J-391JE	1	4723-391J-P-R
PC BOARD	R4904	C-CARBON R	RN72K1J-391JE	1	4723-391J-P-R
PC BOARD	R4905	C-CARBON R	RN72K1J-221JE	1	4723-221J-P-R
PC BOARD	R4906	C-CARBON R	RN72K1J-221JE	1	4723-221J-P-R
PC BOARD	R4907	C-CARBON R	RN72K1J-332JE	1	4723-332J-P-R
PC BOARD	R4908	C-CARBON R	RN72K1J-332JE	1	4723-332J-P-R
PC BOARD	R4909	C-CARBON R	RN72K1J-332JE	1	4723-332J-P-R
PC BOARD	R4910	C-CARBON R	RN72K1J-332JE	1	4723-332J-P-R
PC BOARD	R4951	METAL O R	RS1/2WBJ-150	1	4717-151J-K-X
PC BOARD	R4952	METAL O R	RS1/2WBJ-150	1	4717-151J-K-X
PC BOARD	R761	C-CARBON R	RN72K1J-181JE	1	4723-181J-P-R
PC BOARD	R762	C-CARBON R	RN72K1J-154JE	1	4723-154J-P-R
PC BOARD	R763	C-CARBON R	RN72K1J-391JE	1	4723-391J-P-R
PC BOARD	R764	C-CARBON R	RN72K1J-474JE	1	4723-474J-P-R
PC BOARD	R813	C-CARBON R	RN72K1J-391JE	1	4723-391J-P-R
PC BOARD	R814	C-CARBON R	RN72K1J-471JE	1	4723-471J-P-R
PC BOARD	R815	C-CARBON R	RN72K1J-821JE	1	4723-821J-P-R
PC BOARD	R816	C-CARBON R	RN72K1J-102JE	1	4723-102J-P-R
PC BOARD	R820	C-CARBON R	RN72K1J-182JE	1	4723-182J-P-R
PC BOARD	R828	C-CARBON R	RN72K1J-392JE	1	4723-392J-P-R
PC BOARD	R829	C-CARBON R	RN72K1J-471JE	1	4723-471J-P-R
PC BOARD	R848	C-CARBON R	RN72K1J-151JE	1	4723-151J-P-R
PC BOARD	R849	C-CARBON R	RN72K1J-151JE	1	4723-151J-P-R
PC BOARD	R871	C-CARBON R	RN72K1J-103JE	1	4723-103J-P-R
PC BOARD	R873	C-CARBON R	RN72K1J-103JE	1	4723-103J-P-R
PC BOARD	R951	C-CARBON R	RN72K1J-101JE	1	4723-101J-P-R
PC BOARD	S4751	SLIDE SW	NSS-22155	1	5200-4882-0
PC BOARD	S815	PUSH SW	NPS-111-S681	1	5200-4861-0-01

PC BOARD	S816	PUSH SW	NPS-111-S681	1	5200-4861-0-01	
PC BOARD	S817	PUSH SW	NPS-111-S681	1	5200-4861-0-01	
PC BOARD	S818	PUSH SW	NPS-111-S681	1	5200-4861-0-01	
PC BOARD	S819	PUSH SW	NPS-111-S681	1	5200-4861-0-01	
PC BOARD	S820	PUSH SW	NPS-111-S681	1	5200-4861-0-01	
PC BOARD	X4001	CRYSTAL	FCX-03-13.5MHz	1	2300-2400-0	
PC BOARD	C4801	RFS C	CE04W50V-47M(RFS)	1	157F-476M-K-S5E	
PC BOARD	C4802	RFS C	CE04W50V-47M(RFS)	1	157F-476M-K-S5E	
PC BOARD	D808	LED	SELU2E10C-P	1	3700-2838-B	
PC BOARD	P4701	PIN JACK	NPJ-2PDWR582	(1)	2113-3073-0	
PC BOARD	P4751	PIN JACK	NPJ-6PDWRLEGP590	(1)	2113-3074-0	
PC BOARD	P4851	PIN JACK	NPJ-2PDLE586	(1)	2113-3075-0	
PC BOARD	P6503A	PLUG	NPLG-5P133	1	2101-1513-0	
PC BOARD	P6505B	PLUG	2002P0200T	1	2101-3007-0	
PC BOARD	P721	PLUG	2002P0600T	1	2101-3022-0	
PC BOARD	P723	SOCKET	NSCT-8P2242	1	2101-3023-0	
PC BOARD	R4717	C-CARBON R	RN72K1J-000JE	1	4723-000J-P-R	
PC BOARD	R4718	C-CARBON R	RN72K1J-000JE	1	4723-000J-P-R	
PC BOARD	R4719	C-CARBON R	RN72K1J-000JE	1	4723-000J-P-R	
PC BOARD	R4720	C-CARBON R	RN72K1J-000JE	1	4723-000J-P-R	

PC BOARD PARTS LIST

- U09** Video output terminal PC board assy
- U10** DVD Mechanism control PC board assy
- U11** Digital output terminal PC board assy
- U12** Front display PC board assy
- U13** Connection PC board

	REF NO	NAME	DESCRIPTION	QTY	PART NO	REMARKS
PC BOARD	C501	CHIP ELECT C	CEWX6.3V-220M	1	157B-227M-3-OKI	
PC BOARD	C502	C-CERA C	CK725B1C-104K1	1	150D-104K-P-AC	
PC BOARD	C503	C-CERA C	CK725B1C-104K1	1	150D-104K-P-AC	
PC BOARD	C504	C-CERA C	CC725CH1H-020C1	1	15CH-020C-P-AC	
PC BOARD	C505	C-CERA C	CC725CH1H-020C1	1	15CH-020C-P-AC	
PC BOARD	C506	C-CERA C	CK725B1C-104K1	1	150D-104K-P-AC	
PC BOARD	C508	CHIP ELECT C	CEWX6.3V-100M	1	157B-107M-3-MJI	
PC BOARD	C509	C-CERA C	CK725B1C-104K1	1	150D-104K-P-AC	
PC BOARD	C523	C-CERA C	CK725B1C-104K1	1	150D-104K-P-AC	
PC BOARD	C541	C-CERA C	CK725F1E-104Z1	1	150F-104K-P-AC	
PC BOARD	C542	C-CERA C	CK725F1E-104Z1	1	150F-104K-P-AC	
PC BOARD	C6002	CHIP ELECT C	CEWX6.3V-47M	1	157B-476M-3-JJI	
PC BOARD	C6003	CHIP ELECT C	CEWX6.3V-47M	1	157B-476M-3-JJI	
PC BOARD	C6004	C-CERA C	CK725B1C-104K1	1	150D-104K-P-AC	
PC BOARD	C6006	CHIP ELECT C	CEWX6.3V-100M	1	157B-107M-3-MJI	
PC BOARD	C6008	CHIP ELECT C	CEWX6.3V-100M	1	157B-107M-3-MJI	
PC BOARD	C6009	CHIP ELECT C	CEWX6.3V-100M	1	157B-107M-3-MJI	
PC BOARD	C6011	CHIP ELECT C	CEWX6.3V-100M	1	157B-107M-3-MJI	
PC BOARD	C6012	CHIP ELECT C	CEWX6.3V-100M	1	157B-107M-3-MJI	
PC BOARD	C6013	CHIP ELECT C	CEWX6.3V-1000M	1	157B-108M-3-OTI	
PC BOARD	C6014	C-CERA C	CK725B1C-104K1	1	150D-104K-P-AC	
PC BOARD	C6015	CHIP ELECT C	CEWX6.3V-470M	1	157B-477M-OTI	
PC BOARD	C6016	CHIP ELECT C	CEWX6.3V-1000M	1	157B-108M-3-OTI	
PC BOARD	C6017	CHIP ELECT C	CEWX6.3V-470M	1	157B-477M-OTI	
PC BOARD	C6018	CHIP ELECT C	CEWX6.3V-470M	1	157B-477M-OTI	
PC BOARD	C6101	CHIP ELECT C	CEWX4V-220M	1	157A-227M-3-MJI	
PC BOARD	C6102	C-CERA C	CK725F1A-105Z1	1	150C-105Z-P-AC	
PC BOARD	C6103	C-CERA C	CK725F1A-105Z1	1	150C-105Z-P-AC	
PC BOARD	C6104	CHIP ELECT C	CEWX4V-220M	1	157A-227M-3-MJI	
PC BOARD	C6105	C-CERA C	CK725F1A-105Z1	1	150C-105Z-P-AC	
PC BOARD	C6106	C-CERA C	CK725B1H-103K1	1	150F-103K-P-AC	
PC BOARD	C6107	C-FILM C	ECHU50V-392J	1	150F-392J-6-CF	
PC BOARD	C6108	C-FILM C	ECHU50V-821J	1	150F-821J-6-CF	
PC BOARD	C6109	C-CERA C	CK725B1C-104K1	1	150D-104K-P-AC	
PC BOARD	C6110	C-CERA C	CK725F1A-105Z1	1	150C-105Z-P-AC	
PC BOARD	C6111	C-CERA C	CK725F1A-105Z1	1	150C-105Z-P-AC	
PC BOARD	C6112	C-CERA C	CK725F1A-105Z1	1	150C-105Z-P-AC	
PC BOARD	C6113	C-CERA C	CK725F1A-105Z1	1	150C-105Z-P-AC	
PC BOARD	C6114	C-CERA C	CK725F1A-105Z1	1	150C-105Z-P-AC	
PC BOARD	C6115	C-CERA C	CK725F1A-105Z1	1	150C-105Z-P-AC	

PC BOARD	C6116	C-CERA C	CK725F1A-105Z1	1	150C-105Z-P-AC
PC BOARD	C6117	C-CERA C	CK725B1C-104K1	1	150D-104K-P-AC
PC BOARD	C6118	C-CERA C	CK725F1A-105Z1	1	150C-105Z-P-AC
PC BOARD	C6119	CHIP ELECT C	CEWX4V-220M	1	157A-227M-3-MJI
PC BOARD	C6120	C-CERA C	CK725F1A-105Z1	1	150C-105Z-P-AC
PC BOARD	C6121	CHIP ELECT C	CEWX16V-47M	1	157D-476M-3-LJ
PC BOARD	C6122	C-CERA C	CK725F1A-105Z1	1	150C-105Z-P-AC
PC BOARD	C6123	C-CERA C	CK725F1A-105Z1	1	150C-105Z-P-AC
PC BOARD	C6126	C-CERA C	CK725F1A-105Z1	1	150C-105Z-P-AC
PC BOARD	C6127	C-CERA C	CK725F1A-105Z1	1	150C-105Z-P-AC
PC BOARD	C6128	C-CERA C	CK725F1A-105Z1	1	150C-105Z-P-AC
PC BOARD	C6129	C-CERA C	CK725F1A-105Z1	1	150C-105Z-P-AC
PC BOARD	C6130	CHIP ELECT C	CEWX6.3V-47M	1	157B-476M-3-JJI
PC BOARD	C6131	CHIP ELECT C	CEWX6.3V-47M	1	157B-476M-3-JJI
PC BOARD	C6132	CHIP ELECT C	CEWX6.3V-47M	1	157B-476M-3-JJI
PC BOARD	C6133	CHIP ELECT C	CEWX6.3V-47M	1	157B-476M-3-JJI
PC BOARD	C6134	CHIP ELECT C	CEWX6.3V-47M	1	157B-476M-3-JJI
PC BOARD	C6135	CHIP ELECT C	CEWX6.3V-47M	1	157B-476M-3-JJI
PC BOARD	C6137	C-CERA C	CK725F1A-105Z1	1	150C-105Z-P-AC
PC BOARD	C6138	CHIP ELECT C	CEWX6.3V-100M	1	157B-107M-3-MJI
PC BOARD	C6139	CHIP ELECT C	CEWX6.3V-100M	1	157B-107M-3-MJI
PC BOARD	C6140	C-CERA C	CK725F1A-105Z1	1	150C-105Z-P-AC
PC BOARD	C6144	C-CERA C	CK725F1A-105Z1	1	150C-105Z-P-AC
PC BOARD	C6145	C-CERA C	CC725CH1H-150J1	1	15CH-150J-P-AC
PC BOARD	C6146	C-CERA C	CC725CH1H-150J1	1	15CH-150J-P-AC
PC BOARD	C703	CHIP ELECT C	CEWX16V-100M	1	157D-107M-3-OLC
PC BOARD	C704	CHIP ELECT C	CEWX16V-100M	1	157D-107M-3-OLC
PC BOARD	C705	C-CERA C	CK725F1H-223Z1	1	150F-223M-P-AC
PC BOARD	C706	C-CERA C	CK725F1H-223Z1	1	150F-223M-P-AC
PC BOARD	C707	C-CERA C	CK725F1H-223Z1	1	150F-223M-P-AC
PC BOARD	C711	CHIP ELECT C	CEWX16V-100M	1	157D-107M-3-OLC
PC BOARD	C712	C-CERA C	CK725F1E-104Z1	1	150F-104K-P-AC
PC BOARD	C717	CHIP ELECT C	CEWX16V-100M	1	157D-107M-3-OLC
PC BOARD	C718	C-CERA C	CK725F1E-104Z1	1	150F-104K-P-AC
PC BOARD	C728	CHIP ELECT C	CEWX6.3V-100M	1	157B-107M-3-MJI
PC BOARD	C729	C-CERA C	CK725F1E-104Z1	1	150F-104K-P-AC
PC BOARD	C731	CHIP ELECT C	CEWX50V-1M	1	157F-105M-3-HJI
PC BOARD	C732	C-CERA C	CK725F1E-104Z1	1	150F-104K-P-AC
PC BOARD	C733	C-CERA C	CC725CH1H-102J1	1	15CH-102J-P-AC
PC BOARD	C802	C-CERA C	CK725F1A-105Z1	1	150C-105Z-P-AC
PC BOARD	C803	C-CERA C	CK725F1E-104Z1	1	150F-104K-P-AC
PC BOARD	C804	CHIP ELECT C	CEWX6.3V-100M	1	157B-107M-3-MJI
PC BOARD	C813	C-CERA C	CK725F1H-223Z1	1	150F-223M-P-AC
PC BOARD	C815	C-CERA C	CC725CH1H-330J1	1	15CH-330J-P-AC
PC BOARD	C816	C-CERA C	CC725CH1H-330J1	1	15CH-330J-P-AC
PC BOARD	C817	C-CERA C	CC725CH1H-330J1	1	15CH-330J-P-AC
PC BOARD	C818	C-CERA C	CC725CH1H-330J1	1	15CH-330J-P-AC
PC BOARD	C819	C-CERA C	CC725CH1H-330J1	1	15CH-330J-P-AC
PC BOARD	C820	CHIP ELECT C	CEWX50V-2.2M	1	157F-225M-3-HJI
PC BOARD	C827	C-CERA C	CK725F1H-223Z1	1	150F-223M-P-AC
PC BOARD	C828	C-CERA C	CK725F1H-223Z1	1	150F-223M-P-AC
PC BOARD	C829	C-CERA C	CK725F1H-223Z1	1	150F-223M-P-AC
PC BOARD	D701	ZENER D	UDZ2.7B	1	483H-2V71-3
PC BOARD	D702	ZENER D	UDZ2.2B	1	483H-2V21-3
PC BOARD	D703	ZENER D	UDZS4.3B	1	483H-4B31-3
PC BOARD	D731	C-DIODE	1SS352	1	480S-3520-3
PC BOARD	D731 or	C-DIODE	1SS355	(1)	4840-1660-0
PC BOARD	D732	ZENER D	UDZS5.1B	1	483H-5V11-3
PC BOARD	D733	C-DIODE	1SS352	1	480S-3520-3
PC BOARD	D733 or	C-DIODE	1SS355	(1)	4840-1660-0
PC BOARD	D734	C-DIODE	1SS352	1	480S-3520-3
PC BOARD	D734 or	C-DIODE	1SS355	(1)	4840-1660-0
PC BOARD	L501	CHOKE COIL	NCH-1471	1	1803-0064-0
PC BOARD	L502	EMIFIL	BK1608LM182-T	1	1806-3647-0
PC BOARD	L504	EMIFIL	BK1608LM182-T	1	1806-3647-0
PC BOARD	L505	EMIFIL	BK1608LM182-T	1	1806-3647-0
PC BOARD	L6001	CHOKE COIL	NCH-1471	1	1803-0064-0
PC BOARD	L6003	EMIFIL	BK1608LL241-T	1	1806-3825-0

PC BOARD	L6004	EMIFIL	BK1608LL241-T	1	1806-3825-0
PC BOARD	L6005	EMIFIL	BK1608LL241-T	1	1806-3825-0
PC BOARD	L6006	EMIFIL	BK1608LL241-T	1	1806-3825-0
PC BOARD	L6007	EMIFIL	BK1608LL241-T	1	1806-3825-0
PC BOARD	L6008	EMIFIL	BK1608LL241-T	1	1806-3825-0
PC BOARD	L6101	CHOKE COIL	NCH-1471	1	1803-0064-0
PC BOARD	L6102	CHOKE COIL	NCH-1471	1	1803-0064-0
PC BOARD	L6103	CHOKE COIL	NCH-1471	1	1803-0064-0
PC BOARD	L6104	EMIFIL	BK1608LM182-T	1	1806-3647-0
PC BOARD	L6105	EMIFIL	BK1608LM182-T	1	1806-3647-0
PC BOARD	L6106	EMIFIL	BK1608LM182-T	1	1806-3647-0
PC BOARD	L6107	CHOKE COIL	NCH-1471	1	1803-0064-0
PC BOARD	L6111	CHOKE COIL	NCH-1471	1	1803-0064-0
PC BOARD	L6112	CHOKE COIL	NCH-1471	1	1803-0064-0
PC BOARD	L6113	CHOKE COIL	NCH-1471	1	1803-0064-0
PC BOARD	P2001B	PLUG	SM14B-SURS-TF	1	2101-3018-0
PC BOARD	P2002B	PLUG	SM15B-SURS-TF	1	2101-3019-0
PC BOARD	P2005B	PLUG	SM06B-SRSS-TB	1	2101-3027-0
PC BOARD	P2711B	SOCKET AS	NSAS-14P1404	1	7012-6803-0
PC BOARD	P502B	SOCKET AS	NSAS-6P1397	1	7012-6796-0
PC BOARD	P541	PIN JACK	NPJ-2PDB400	1	No GPE P/n
PC BOARD	P541 or	PIN JACK	MSJ-035-36A	(1)	2113-2022-0
PC BOARD	P6101	WS CLAMP	CP-1S	1	6360-9650-0
PC BOARD	P6102	WS CLAMP	CP-1S	1	6360-9650-0
PC BOARD	P6103	WS CLAMP	CP-1S	1	6360-9650-0
PC BOARD	P704	SOCKET AS	NSAS-22P1398	1	7012-6797-0
PC BOARD	P704A	SOCKET AS	NSAS-22P1399	1	7012-6798-0
PC BOARD	P704B	PLUG	2002P1100T	1	2101-3011-0
PC BOARD	P706A	SOCKET AS	NSAS-16P1227	1	7012-6662-0
PC BOARD	P707A	SOCKET	NSCT-6P1802	1	2101-1540-0
PC BOARD	P707A or	SOCKET	NSCT-6P2099	(1)	2101-1421-0
PC BOARD	P707A or	SOCKET	NSCT-6P1600	(1)	2101-1538-0
PC BOARD	P708A	PLUG	2003P0200T	1	2101-3012-0
PC BOARD	P805A	SOCKET AS	NSAS-10P1402	1	7012-6801-0
PC BOARD	P806	PLUG	2003P0200T	1	2101-3012-0
PC BOARD	P951A	SOCKET AS	NSAS-20P1403	1	7012-6802-0
PC BOARD	Q501	IC	TC74VHCU04FT	1	3131-9960-0
PC BOARD	Q502	PHT CP	CKT-TX12P03	1	4811-2P03-3
PC BOARD	Q502 or	PHT CP	TOTX179	(1)	481T-X179-3
PC BOARD	Q6001	IC	LA73054	1	3131-8760-0
PC BOARD	Q6101	IC	ADV7300A	1	3132-1881-0
PC BOARD	Q6102	IC	NJM2880U25	1	3132-1771-0
PC BOARD	Q6103	TR	2SA1162-GR	1	4851-162G-3
PC BOARD	Q6104	TR	2SA1162-GR	1	4851-162G-3
PC BOARD	Q6105	TR	2SA1162-GR	1	4851-162G-3
PC BOARD	Q6106	TR	2SA1162-GR	1	4851-162G-3
PC BOARD	Q6107	TR	2SA1162-GR	1	4851-162G-3
PC BOARD	Q6109	IC	TC74VHCT00AFT	1	3132-0370-0
PC BOARD	Q6110	TR	2SA1162-GR	1	4851-162G-3
PC BOARD	Q6111	TR	2SA1162-GR	1	4851-162G-3
PC BOARD	Q6112	TR	2SA1162-GR	1	4851-162G-3
PC BOARD	Q6113	IC	NJM2584M	1	3132-1891-0
PC BOARD	Q701	IC	MPD78F4225GC	1	3132-1871-0
PC BOARD	Q702	IC	S-80130CLMC-JIP-T2	1	3132-0200-0
PC BOARD	Q703	TR	DTA114YKA	1	485A-1140-3
PC BOARD	Q703 or	TR	KRA107S	(1)	4860-3440-3
PC BOARD	Q703 or	TR	RN2407	(1)	4852-4070-3
PC BOARD	Q704	IC	TA7291S	1	3131-7990-0
PC BOARD	Q705	IC	TA7291S	1	3131-7990-0
PC BOARD	Q706	TR	DTC114YKA	1	485C-1140-3
PC BOARD	Q706 or	TR	RN1407	(1)	4851-4070-3
PC BOARD	Q706 or	TR	KRC107S	(1)	4851-07S0-3
PC BOARD	Q707	TR	2SA1162-GR	1	4851-162G-3
PC BOARD	Q709	TR	DTC114YKA	1	485C-1140-3
PC BOARD	Q709 or	TR	RN1407	(1)	4851-4070-3
PC BOARD	Q709 or	TR	KRC107S	(1)	4851-07S0-3
PC BOARD	Q710	TR	DTC114YKA	1	485C-1140-3
PC BOARD	Q710 or	TR	RN1407	(1)	4851-4070-3

PC BOARD	Q710 or TR	KRC107S	(1)	4851-07S0-3
PC BOARD	Q711 TR	DTC114YKA	1	485C-1140-3
PC BOARD	Q711 or TR	RN1407	(1)	4851-4070-3
PC BOARD	Q711 or TR	KRC107S	(1)	4851-07S0-3
PC BOARD	Q712 TR	DTC114YKA	1	485C-1140-3
PC BOARD	Q712 or TR	RN1407	(1)	4851-4070-3
PC BOARD	Q712 or TR	KRC107S	(1)	4851-07S0-3
PC BOARD	Q801 IC	MPD780232GC-091-8BT	1	3132-0940-0
PC BOARD	Q802 FL TUBE	13-BT-211GNK	1	2460-2090-0
PC BOARD	Q802A CUSHION		2	4149-0541-0
PC BOARD	Q803 TR	DTC114YKA	1	485C-1140-3
PC BOARD	Q803 or TR	RN1407	(1)	4851-4070-3
PC BOARD	Q803 or TR	KRC107S	(1)	4851-07S0-3
PC BOARD	Q808 REMO SENS	SPS-440-1-VP	1	4814-01VP-3
PC BOARD	Q809 TR	DTA114YKA	1	485A-1140-3
PC BOARD	Q809 or TR	KRA107S	(1)	4860-3440-3
PC BOARD	Q809 or TR	RN2407	(1)	4852-4070-3
PC BOARD	Q810 TR	DTC114YKA	1	485C-1140-3
PC BOARD	Q810 or TR	RN1407	(1)	4851-4070-3
PC BOARD	Q810 or TR	KRC107S	(1)	4851-07S0-3
PC BOARD	Q811 TR	2SC3265-Y	1	4853-265Y-3
PC BOARD	Q811 or TR	2SC3265-O	(1)	4853-2650-3
PC BOARD	Q812 TR	2SC2712-GR	1	4852-712G-3
PC BOARD	R501 C-CARBON R	RN72K1J-000JE	1	4723-000J-P-R
PC BOARD	R503 C-CARBON R	RN72K1J-101JE	1	4723-101J-P-R
PC BOARD	R504 C-CARBON R	RN72K1J-104JE	1	4723-104J-P-R
PC BOARD	R505 C-CARBON R	RN72K1J-474JE	1	4723-474J-P-R
PC BOARD	R506 C-CARBON R	RN72K1J-104JE	1	4723-104J-P-R
PC BOARD	R507 C-CARBON R	RN72K1J-101JE	1	4723-101J-P-R
PC BOARD	R511 C-CARBON R	RN72K1J-750JE	1	4723-750J-P-R
PC BOARD	R521 C-CARBON R	RN72K1J-000JE	1	4723-000J-P-R
PC BOARD	R523 C-CARBON R	RN72K1J-101JE	1	4723-101J-P-R
PC BOARD	R6002 C-CARBON R	RN72K1J-271JE	1	4723-271J-P-R
PC BOARD	R6008 C-CARBON R	RN72K1J-102JE	1	4723-102J-P-R
PC BOARD	R6009 C-CARBON R	RN72K1J-472JE	1	4723-472J-P-R
PC BOARD	R6015 C-CARBON R	RN72K1J-000JE	1	4723-000J-P-R
PC BOARD	R6018 C-CARBON R	RN72K1J-102JE	1	4723-102J-P-R
PC BOARD	R6020 C-CARBON R	RN72K1J-750JE	1	4723-750J-P-R
PC BOARD	R6022 C-CARBON R	RN72K1J-750JE	1	4723-750J-P-R
PC BOARD	R6024 C-CARBON R	RN72K1J-103JE	1	4723-103J-P-R
PC BOARD	R6025 C-CARBON R	RN72K1J-750JE	1	4723-750J-P-R
PC BOARD	R6028 C-CARBON R	RN72K1J-750JE	1	4723-750J-P-R
PC BOARD	R6030 C-CARBON R	RN72K1J-750JE	1	4723-750J-P-R
PC BOARD	R6033 C-CARBON R	RN72K1J-750JE	1	4723-750J-P-R
PC BOARD	R6052 C-CARBON R	RN72K1J-104JE	1	4723-104J-P-R
PC BOARD	R6102 C-CARBON R	RN72K1J-103JE	1	4723-103J-P-R
PC BOARD	R6103 C-CARBON R	RN72K1J-472JE	1	4723-472J-P-R
PC BOARD	R6104 C-CARBON R	RN72K1J-472JE	1	4723-472J-P-R
PC BOARD	R6105 C-CARBON R	RN72K1J-103JE	1	4723-103J-P-R
PC BOARD	R6106 C-CARBON R	RN72K1J-000JE	1	4723-000J-P-R
PC BOARD	R6107 C-CARBON R	RN72K1J-102JE	1	4723-102J-P-R
PC BOARD	R6108 C-CARBON R	RN72K1J-681FE	1	4723-681A-P-R
PC BOARD	R6109 C-CARBON R	RN72K1J-152FE	1	4723-152A-P-R
PC BOARD	R6110 C-CARBON R	RN72K1J-152FE	1	4723-152A-P-R
PC BOARD	R6111 C-CARBON R	RN72K1J-100FE	1	4723-100A-P-R
PC BOARD	R6112 C-CARBON R	RN72K1J-151FE	1	4723-151A-P-R
PC BOARD	R6114 C-CARBON R	RN72K1J-151FE	1	4723-151A-P-R
PC BOARD	R6116 C-CARBON R	RN72K1J-151JE	1	4723-151J-P-R
PC BOARD	R6118 C-CARBON R	RN72K1J-102JE	1	4723-102J-P-R
PC BOARD	R6119 C-CARBON R	RN72K1J-102JE	1	4723-102J-P-R
PC BOARD	R6120 C-CARBON R	RN72K1J-102JE	1	4723-102J-P-R
PC BOARD	R6121 C-CARBON R	RN72K1J-102JE	1	4723-102J-P-R
PC BOARD	R6122 C-CARBON R	RN72K1J-102JE	1	4723-102J-P-R
PC BOARD	R6125 C-CARBON R	RN72K1J-151FE	1	4723-151A-P-R
PC BOARD	R6127 C-CARBON R	RN72K1J-151FE	1	4723-151A-P-R
PC BOARD	R6129 C-CARBON R	RN72K1J-151FE	1	4723-151A-P-R
PC BOARD	R6130 C-CARBON R	RN72K1J-152FE	1	4723-152A-P-R
PC BOARD	R6131 C-CARBON R	RN72K1J-152FE	1	4723-152A-P-R

PC BOARD	R6132	C-CARBON R	RN72K1J-100FE	1	4723-100A-P-R
PC BOARD	R6133	C-CARBON R	RN72K1J-103JE	1	4723-103J-P-R
PC BOARD	R6134	C-CARBON R	RN72K1J-103JE	1	4723-103J-P-R
PC BOARD	R6135	C-CARBON R	RN72K1J-000JE	1	4723-000J-P-R
PC BOARD	R6136	C-CARBON R	RN72K1J-103JE	1	4723-103J-P-R
PC BOARD	R6137	C-CARBON R	RN72K1J-000JE	1	4723-000J-P-R
PC BOARD	R6138	C-CARBON R	RN72K1J-000JE	1	4723-000J-P-R
PC BOARD	R6139	C-CARBON R	RN72K1J-473JE	1	4723-473J-P-R
PC BOARD	R6140	C-CARBON R	RN72K1J-103JE	1	4723-103J-P-R
PC BOARD	R6141	C-CARBON R	RN72K1J-103JE	1	4723-103J-P-R
PC BOARD	R6142	C-CARBON R	RN72K1J-103JE	1	4723-103J-P-R
PC BOARD	R6143	C-CARBON R	RN72K1J-103JE	1	4723-103J-P-R
PC BOARD	R6144	C-CARBON R	RN72K1J-103JE	1	4723-103J-P-R
PC BOARD	R6145	C-CARBON R	RN72K1J-103JE	1	4723-103J-P-R
PC BOARD	R6146	C-CARBON R	RN72K1J-000JE	1	4723-000J-P-R
PC BOARD	R6147	C-CARBON R	RN72K1J-000JE	1	4723-000J-P-R
PC BOARD	R6148	C-CARBON R	RN72K1J-000JE	1	4723-000J-P-R
PC BOARD	R6149	C-CARBON R	RN72K1J-000JE	1	4723-000J-P-R
PC BOARD	R6150	C-CARBON R	RN72K1J-000JE	1	4723-000J-P-R
PC BOARD	R6151	C-CARBON R	RN72K1J-000JE	1	4723-000J-P-R
PC BOARD	R6152	C-CARBON R	RN72K1J-102JE	1	4723-102J-P-R
PC BOARD	R6153	C-CARBON R	RN72K1J-102JE	1	4723-102J-P-R
PC BOARD	R6154	C-CARBON R	RN72K1J-102JE	1	4723-102J-P-R
PC BOARD	R6159	C-CARBON R	RN72K1J-105JE	1	4723-105J-P-R
PC BOARD	R6162	C-CARBON R	RN72K1J-105JE	1	4723-105J-P-R
PC BOARD	R6164	C-CARBON R	RN72K1J-470JE	1	4723-470J-P-R
PC BOARD	R6165	C-CARBON R	RN72K1J-470JE	1	4723-470J-P-R
PC BOARD	R6166	C-CARBON R	RN72K1J-470JE	1	4723-470J-P-R
PC BOARD	R6167	C-CARBON R	RN72K1J-000JE	1	4723-000J-P-R
PC BOARD	R6168	C-CARBON R	RN72K1J-000JE	1	4723-000J-P-R
PC BOARD	R6169	C-CARBON R	RN72K1J-000JE	1	4723-000J-P-R
PC BOARD	R6170	C-CARBON R	RN72K1J-102JE	1	4723-102J-P-R
PC BOARD	R6171	C-CARBON R	RN72K1J-102JE	1	4723-102J-P-R
PC BOARD	R6172	C-CARBON R	RN72K1J-000JE	1	4723-000J-P-R
PC BOARD	R6173	C-CARBON R	RN72K1J-000JE	1	4723-000J-P-R
PC BOARD	R6174	C-CARBON R	RN72K1J-000JE	1	4723-000J-P-R
PC BOARD	R6175	C-CARBON R	RN72K1J-101JE	1	4723-101J-P-R
PC BOARD	R6176	C-CARBON R	RN72K1J-101JE	1	4723-101J-P-R
PC BOARD	R701	C-CARBON R	RN72K1J-822JE	1	4723-822J-P-R
PC BOARD	R702	C-CARBON R	RN72K1J-332JE	1	4723-332J-P-R
PC BOARD	R703	C-CARBON R	RN72K1J-105JE	1	4723-105J-P-R
PC BOARD	R704	C-CARBON R	RN72K1J-103JE	1	4723-103J-P-R
PC BOARD	R705	C-CARBON R	RN72K1J-822JE	1	4723-822J-P-R
PC BOARD	R706	C-CARBON R	RN72K1J-562JE	1	4723-562J-P-R
PC BOARD	R707	C-CARBON R	RN72K1J-105JE	1	4723-105J-P-R
PC BOARD	R708	C-CARBON R	RN72K1J-103JE	1	4723-103J-P-R
PC BOARD	R709	NF CARBON R	R25J-4.7	1	4705-4R7J-K-P
PC BOARD	R710	C-CARBON R	RN72K1J-222JE	1	4723-222J-P-R
PC BOARD	R711	C-CARBON R	RN72K1J-104JE	1	4723-104J-P-R
PC BOARD	R712	C-CARBON R	RN72K1J-104JE	1	4723-104J-P-R
PC BOARD	R713	C-CARBON R	RN72K1J-104JE	1	4723-104J-P-R
PC BOARD	R714	C-CARBON R	RN72K1J-104JE	1	4723-104J-P-R
PC BOARD	R715	NF CARBON R	R25J-4.7	1	4705-4R7J-K-P
PC BOARD	R716	C-CARBON R	RN72K1J-562JE	1	4723-562J-P-R
PC BOARD	R717	C-CARBON R	RN72K1J-103JE	1	4723-103J-P-R
PC BOARD	R718	C-CARBON R	RN72K1J-472JE	1	4723-472J-P-R
PC BOARD	R719	C-CARBON R	RN72K1J-562JE	1	4723-562J-P-R
PC BOARD	R720	C-CARBON R	RN72K1J-222JE	1	4723-222J-P-R
PC BOARD	R721	C-CARBON R	RN72K1J-103JE	1	4723-103J-P-R
PC BOARD	R722	C-CARBON R	RN72K1J-103JE	1	4723-103J-P-R
PC BOARD	R723	C-CARBON R	RN72K1J-103JE	1	4723-103J-P-R
PC BOARD	R731	C-CARBON R	RN72K1J-103JE	1	4723-103J-P-R
PC BOARD	R732	C-CARBON R	RN72K1J-101JE	1	4723-101J-P-R
PC BOARD	R733	C-CARBON R	RN72K1J-103JE	1	4723-103J-P-R
PC BOARD	R734	C-CARBON R	RN72K1J-101JE	1	4723-101J-P-R
PC BOARD	R735	C-CARBON R	RN72K1J-101JE	1	4723-101J-P-R
PC BOARD	R736	C-CARBON R	RN72K1J-101JE	1	4723-101J-P-R
PC BOARD	R737	C-CARBON R	RN72K1J-101JE	1	4723-101J-P-R

PC BOARD	R738	C-CARBON R	RN72K1J-103JE	1	4723-103J-P-R
PC BOARD	R739	C-CARBON R	RN72K1J-100JE	1	4723-100J-P-R
PC BOARD	R740	C-CARBON R	RN72K1J-103JE	1	4723-103J-P-R
PC BOARD	R741	C-CARBON R	RN72K1J-100JE	1	4723-100J-P-R
PC BOARD	R742	C-CARBON R	RN72K1J-100JE	1	4723-100J-P-R
PC BOARD	R743	C-CARBON R	RN72K1J-101JE	1	4723-101J-P-R
PC BOARD	R744	C-CARBON R	RN72K1J-101JE	1	4723-101J-P-R
PC BOARD	R745	C-CARBON R	RN72K1J-100JE	1	4723-100J-P-R
PC BOARD	R746	C-CARBON R	RN72K1J-101JE	1	4723-101J-P-R
PC BOARD	R747	C-CARBON R	RN72K1J-101JE	1	4723-101J-P-R
PC BOARD	R748	C-CARBON R	RN72K1J-473JE	1	4723-473J-P-R
PC BOARD	R749	C-CARBON R	RN72K1J-471JE	1	4723-471J-P-R
PC BOARD	R750	C-CARBON R	RN72K1J-224JE	1	4723-224J-P-R
PC BOARD	R751	C-CARBON R	RN72K1J-472JE	1	4723-472J-P-R
PC BOARD	R752	C-CARBON R	RN72K1J-102JE	1	4723-102J-P-R
PC BOARD	R754	C-CARBON R	RN72K1J-272JE	1	4723-272J-P-R
PC BOARD	R759	C-CARBON R	RN72K1J-101JE	1	4723-101J-P-R
PC BOARD	R760	C-CARBON R	RN72K1J-103JE	1	4723-103J-P-R
PC BOARD	R765	C-CARBON R	RN72K1J-274JE	1	4723-274J-P-R
PC BOARD	R766	C-CARBON R	RN72K1J-472JE	1	4723-472J-P-R
PC BOARD	R767	C-CARBON R	RN72K1J-103JE	1	4723-103J-P-R
PC BOARD	R768	C-CARBON R	RN72K1J-222JE	1	4723-222J-P-R
PC BOARD	R771	C-CARBON R	RN72K1J-103JE	1	4723-103J-P-R
PC BOARD	R772	C-CARBON R	RN72K1J-101JE	1	4723-101J-P-R
PC BOARD	R774	C-CARBON R	RN72K1J-103JE	1	4723-103J-P-R
PC BOARD	R775	C-CARBON R	RN72K1J-103JE	1	4723-103J-P-R
PC BOARD	R776	C-CARBON R	RN72K1J-103JE	1	4723-103J-P-R
PC BOARD	R777	C-CARBON R	RN72K1J-101JE	1	4723-101J-P-R
PC BOARD	R778	C-CARBON R	RN72K1J-101JE	1	4723-101J-P-R
PC BOARD	R779	C-CARBON R	RN72K1J-472JE	1	4723-472J-P-R
PC BOARD	R780	C-CARBON R	RN72K1J-103JE	1	4723-103J-P-R
PC BOARD	R781	C-CARBON R	RN72K1J-000JE	1	4723-000J-P-R
PC BOARD	R782	C-CARBON R	RN72K1J-000JE	1	4723-000J-P-R
PC BOARD	R783	C-CARBON R	RN72K1J-000JE	1	4723-000J-P-R
PC BOARD	R784	C-CARBON R	RN72K1J-000JE	1	4723-000J-P-R
PC BOARD	R785	C-CARBON R	RN72K1J-102JE	1	4723-102J-P-R
PC BOARD	R786	C-CARBON R	RN72K1J-102JE	1	4723-102J-P-R
PC BOARD	R787	C-CARBON R	RN72K1J-102JE	1	4723-102J-P-R
PC BOARD	R788	C-CARBON R	RN72K1J-102JE	1	4723-102J-P-R
PC BOARD	R801	C-CARBON R	RN72K1J-391JE	1	4723-391J-P-R
PC BOARD	R802	C-CARBON R	RN72K1J-471JE	1	4723-471J-P-R
PC BOARD	R803	C-CARBON R	RN72K1J-821JE	1	4723-821J-P-R
PC BOARD	R804	C-CARBON R	RN72K1J-102JE	1	4723-102J-P-R
PC BOARD	R805	C-CARBON R	RN72K1J-182JE	1	4723-182J-P-R
PC BOARD	R806	C-CARBON R	RN72K1J-392JE	1	4723-392J-P-R
PC BOARD	R807	C-CARBON R	RN72K1J-103JE	1	4723-103J-P-R
PC BOARD	R808	C-CARBON R	RN72K1J-391JE	1	4723-391J-P-R
PC BOARD	R809	C-CARBON R	RN72K1J-471JE	1	4723-471J-P-R
PC BOARD	R810	C-CARBON R	RN72K1J-821JE	1	4723-821J-P-R
PC BOARD	R811	C-CARBON R	RN72K1J-102JE	1	4723-102J-P-R
PC BOARD	R812	C-CARBON R	RN72K1J-182JE	1	4723-182J-P-R
PC BOARD	R821	C-CARBON R	RN72K1J-000JE	1	4723-000J-P-R
PC BOARD	R822	C-CARBON R	RN72K1J-272JE	1	4723-272J-P-R
PC BOARD	R823	C-CARBON R	RN72K1J-272JE	1	4723-272J-P-R
PC BOARD	R824	C-CARBON R	RN72K1J-272JE	1	4723-272J-P-R
PC BOARD	R825	C-CARBON R	RN72K1J-272JE	1	4723-272J-P-R
PC BOARD	R826	C-CARBON R	RN72K1J-101JE	1	4723-101J-P-R
PC BOARD	R827	C-CARBON R	RN72K1J-101JE	1	4723-101J-P-R
PC BOARD	R830	C-CARBON R	RN72K1J-104JE	1	4723-104J-P-R
PC BOARD	R831	C-CARBON R	RN72K1J-101JE	1	4723-101J-P-R
PC BOARD	R832	C-CARBON R	RN72K1J-104JE	1	4723-104J-P-R
PC BOARD	R833	C-CARBON R	RN72K1J-272JE	1	4723-272J-P-R
PC BOARD	R834	C-CARBON R	RN72K1J-103JE	1	4723-103J-P-R
PC BOARD	R835	C-CARBON R	RN72K1J-104JE	1	4723-104J-P-R
PC BOARD	R836	C-CARBON R	RN72K1J-104JE	1	4723-104J-P-R
PC BOARD	R837	C-CARBON R	RN72K1J-104JE	1	4723-104J-P-R
PC BOARD	R838	C-CARBON R	RN72K1J-104JE	1	4723-104J-P-R
PC BOARD	R841	C-CARBON R	RN72K1J-471JE	1	4723-471J-P-R

PC BOARD	R842	C-CARBON R	RN72K1J-471JE	1	4723-471J-P-R
PC BOARD	R843	C-CARBON R	RN72K1J-471JE	1	4723-471J-P-R
PC BOARD	R844	C-CARBON R	RN72K1J-471JE	1	4723-471J-P-R
PC BOARD	R845	C-CARBON R	RN72K1J-471JE	1	4723-471J-P-R
PC BOARD	R847	C-CARBON R	RN72K1J-391JE	1	4723-391J-P-R
PC BOARD	R850	C-CARBON R	RN72K1J-223JE	1	4723-223J-P-R
PC BOARD	R851	C-CARBON R	RN72K1J-391JE	1	4723-391J-P-R
PC BOARD	R856	C-CARBON R	RN72K1J-273JE	1	4723-273J-P-R
PC BOARD	R858	C-CARBON R	RN72K1J-392JE	1	4723-392J-P-R
PC BOARD	S701	PUSH SW	NPS-111-S679	1	5200-4862-0-01
PC BOARD	S702	PUSH SW	NPS-111-S679	1	5200-4862-0-01
PC BOARD	S703	PUSH SW	NPS-111-S679	1	5200-4862-0-01
PC BOARD	S801	PUSH SW	NPS-111-S681	1	5200-4861-0-01
PC BOARD	S802	PUSH SW	NPS-111-S681	1	5200-4861-0-01
PC BOARD	S803	PUSH SW	NPS-111-S681	1	5200-4861-0-01
PC BOARD	S804	PUSH SW	NPS-111-S681	1	5200-4861-0-01
PC BOARD	S805	PUSH SW	NPS-111-S681	1	5200-4861-0-01
PC BOARD	S806	PUSH SW	NPS-111-S681	1	5200-4861-0-01
PC BOARD	S807	PUSH SW	NPS-111-S681	1	5200-4861-0-01
PC BOARD	S808	PUSH SW	NPS-111-S681	1	5200-4861-0-01
PC BOARD	S809	PUSH SW	NPS-111-S681	1	5200-4861-0-01
PC BOARD	S810	PUSH SW	NPS-111-S681	1	5200-4861-0-01
PC BOARD	S811	PUSH SW	NPS-111-S681	1	5200-4861-0-01
PC BOARD	S812	PUSH SW	NPS-111-S681	1	5200-4861-0-01
PC BOARD	S813	PUSH SW	NPS-111-S681	1	5200-4861-0-01
PC BOARD	S814	PUSH SW	NPS-111-S681	1	5200-4861-0-01
PC BOARD	T501	MPX COIL	NSRF-2046	1	5600-3456-T
PC BOARD	X701	CERA LOCK	CSTCE12M5G52-R0	1	2703-0890-0
PC BOARD	X801	CERA LOCK	CSTCR5M00G53-B0	1	2703-0920-0
PC BOARD	E601	TRM(SCREW)	NEGITANSI M3	1	4135-2421-0
PC BOARD	P501B	SOCKET AS	NSAS-8P1346	1	7012-6811-0
PC BOARD	P504	PIN JACK	NPJ-1PDOR369	1	2113-2021-0
PC BOARD	P6002	PIN JACK	NPJ-5PDBY456	1	2113-2018-0
PC BOARD	P6003	PIN JACK	NPJ-3PDRLG588	(1)	2113-3076-0
PC BOARD	P6503B	PLUG	NPLG-5P931	1	2101-3024-0
PC BOARD	P6505A	SOCKET AS	NSAS-4P1406	1	7012-6805-0
PC BOARD	P712	PLUG	2002P0200T	1	2101-3007-0
PC BOARD	P712A	SOCKET AS	NSAS-4P1405	1	7012-6804-0
PC BOARD	P721A	SOCKET AS	NSAS-12P1412	1	7012-6810-0
PC BOARD	R6010	C-CARBON R	RN72K1J-102JE	1	4723-102J-P-R
PC BOARD	R6017	C-CARBON R	RN72K1J-102JE	1	4723-102J-P-R
PC BOARD	R756	C-CARBON R	RN72K1J-272JE	1	4723-272J-P-R
PC BOARD	R758	C-CARBON R	RN72K1J-272JE	1	4723-272J-P-R

ONKYO CORPORATION

Sales & Product Planning Div. : 2-1, Nisshin-cho, Neyagawa-shi, OSAKA 572-8540, JAPAN
Tel: 072-831-8023 Fax: 072-831-8124

ONKYO U.S.A. CORPORATION

18 Park Way, Upper Saddle River, N.J. 07458, U.S.A.
Tel: 201-785-2600 Fax: 201-785-2650 <http://www.onkyousa.com>

ONKYO EUROPE ELECTRONICS GmbH

Liegnitzerstrasse 6, 82194 Groebenzell, GERMANY
Tel: +49-8142-4401-0 Fax: +49-8142-4401-555 <http://www.onkyo.net>

ONKYO CHINA LIMITED

Units 2102-2107, Metroplaza Tower I, 223 Hing Fong Road, Kwai Chung,
N.T., HONG KONG Tel: 852-2429-3118 Fax: 852-2428-9039

